

HISTORY INFORMATION FOR THE FOLLOWING MANUAL:

SERVICE MANUAL

LA-3 CHASSIS

<u>MODEL NAME</u>	<u>REMOTE COMMANDER</u>	<u>DESTINATION</u>
KDF-42WE655	RM-Y915	US/CND
KDF-50WE655	RM-Y915	US/CND

ORIGINAL MANUAL ISSUE DATE: 9/2004

 :UPDATED ITEM

<u>REVISION DATE</u>	<u>SUBJECT</u>
9/2004	No revisions or updates are applicable at this time.
10/2004	Updated Block Diagram (Replaced Page 36 with Page 36) Updated PN for Power Supply Block, Added D.C. Fan (Sirocco) to Exploded View section (Replaced Page 77 with Page 77)
1/2005	Corrected Section 2-1. Setting the Service Adjustment Mode and 2-2. Service Adjustment Mode Memory (Replaced Page 28 with Page 28) Corrected Section 2-4. Remote Adjustment Buttons and Indicators (Replaced Page 29 with Page 29) Updated contact information for Service Data requests (Replaced Page 31 with Page 31) Updated contact information for Tiled Schematic requests (Replaced Last Page with Last Page)
1/2005	Added Caution statement (Replaced Page 6 with Page 6)
8/2005	Corrected location of LVDS Cables (Replaced Page 76 with Page 76)

LCD PROJECTION TELEVISION

SONY[®]

SERVICE MANUAL

LA-3 CHASSIS

<u>MODEL NAME</u>	<u>REMOTE COMMANDER</u>	<u>DESTINATION</u>
KDF-42WE655	RM-Y915	US/CND
KDF-50WE655	RM-Y915	US/CND



KDF-42WE655



RM-Y915

LCD PROJECTION TELEVISION

SONY®

TABLE OF CONTENTS

SECTION TITLE	PAGE	SECTION TITLE	PAGE
Specifications	4	SECTION 3: DIAGRAMS.....	34
Warnings and Cautions	6	3-1. Circuit Boards Location	34
Safety Check-Out	7	3-2. Printed Wiring Boards and Schematic Diagrams Information	34
Self-Diagnostic Function.....	8	3-3. Block Diagrams	36
SECTION 1: DISASSEMBLY.....	13	3-4. Schematics and Supporting Information	37
1-1. Rear Cover Removal.....	13	A Board Schematic Diagram (1 of 3).....	37
1-2. Center Pillar Removal	13	A Board Schematic Diagram (2 of 3).....	38
1-3. Service Position	14	A Board Schematic Diagram (3 of 3).....	39
1-4. Fan and Chassis Assembly Removal.....	14	B Board Schematic Diagram (1 of 6)	42
1-5. Power Supply Block Removal (Lamp Drive Unit).....	15	B Board Schematic Diagram (2 of 6)	43
1-6. Fan, RF Antenna Switch, and P Board Removal	15	B Board Schematic Diagram (3 of 6)	44
1-7. U Board Removal.....	16	B Board Schematic Diagram (4 of 6)	45
1-8. F Board and G1 Board Board Removal	16	B Board Schematic Diagram (5 of 6)	46
1-9. A Board and KD Board Removal.....	17	B Board Schematic Diagram (6 of 6)	47
1-10. Q Box Assembly, and B Board Removal.....	17	G2 Board Schematic Diagram (1 of 2).....	50
1-11. G2 Board Removal.....	18	G2 Board Schematic Diagram (2 of 2).....	51
1-12. T Board Removal	18	P Board Schematic Diagram	54
1-13. Woofer Removal	18	KD Board Schematic Diagram	55
1-14. H3 Board Removal (KDF-42WE655 Only).....	19	G1 Board Schematic Diagram (1 of 2).....	57
1-15. Front Cover Assembly Removal.....	19	G1 Board Schematic Diagram (2 of 2).....	58
1-15-1. Replacing the Lamp.....	19	F Board Schematic Diagram.....	61
1-16. HM Board Removal (KDF-42WE655 Only).....	20	HM Board Schematic Diagram.....	63
1-17. H3 Board and HM Board Removal (KDF-50WE655 Only)...	20	H1 Board Schematic Diagram.....	65
1-18. H2 Board Removal.....	21	H2 Board Schematic Diagram.....	67
1-19. H1 Board Removal.....	21	H3 Board Schematic Diagram.....	68
1-20. Screen Mirror Block Assembly Removal	22	T Board Schematic Diagram	69
1-21. Mirror Cover Assembly and Speaker Removal	23	U Board Schematic Diagram.....	70
1-21-1. Diffusion plates (Screens) Tape Method.....	23	3-5. Semiconductors	72
Wire Dressing	24	SECTION 4: EXPLODED VIEWS.....	73
SECTION 2: CIRCUIT ADJUSTMENTS.....	28	4-1. Cover.....	73
2-1. Setting the Service Adjustment Mode	28	4-2. Bottom Cabinet (KDF-42WE655 Only)	74
2-2. Service Adjustment Mode Memory	28	4-3. Bottom Cabinet (KDF-50WE655 Only)	75
2-3. Memory Write Confirmation Method	29	4-4. Chassis	76
2-4. Remote Adjustment Buttons and Indicators.....	29	4-5. Optical Unit Block.....	77
2-5. H/V Center Confirmation and Adjustments	30	SECTION 5: ELECTRICAL PARTS LIST	78
2-6. Service Data.....	31		
2-7. ID Map Table	33		

SPECIFICATIONS

Power Requirements	120V AC, 60Hz	Control S (IN)	1 total Minijack
Power Consumption (W)	230W	Control S (OUT)	1 total Minijack
In Use (Max)	Under 20W	Component Video Input	2 (Y, P _B , P _R) Y: 1.0 Vp-p, 75 ohms unbalanced, sync negative P _B : 0.7 Vp-p, 75 ohms; P _R : 0.7 Vp-p, 75 ohms
In Standby	HDMI IN	RF Inputs	2 total
Inputs/Outputs	Video - 1080i, 720p, 480p, 480i Audio - Two channel linear PCM 32, 44.1 and 48 kHz, 16, 20, and 24 bit	Digital Audio Optical Output (PCM/Dolby Digital)	1 total Optical Rectangular (1)
	Video (IN)	CableCARD Slot	1 total PCMCIA Type I/II
	4 total (1 on front panel) 1Vp-p, 75ohms unbalanced, sync negative		
	S Video (IN)		
	4 total (1 on front panel) Y: 1Vp-p, 75ohms unbalanced, sync negative C: 0.286Vp-p (Burst signal), 75ohms		
	Audio (IN)		
	7 total (1 on front panel) 500 mVrms (100% modulation) Impedance:47 kilo ohms		
	Audio (VAR/FIX) Out		
	1 total 500 mVrms at the maximum volume setting (Variable) 500 mVrms (Fixed) Impedance (Output):2 kilo ohm Note: Audio Out jacks are operable only when the TV's speaker is set to Off.		

	KDF-42WE655	KDF-50WE655
Speaker Output (W)	5W x 2	
Woofers	20W	
Dimensions (W x H x D)		
mm	1,200 x 818 x 314 mm	1,376 x 927.2 x 379 mm
in	47 ¹ / ₄ x 32 ¹ / ₄ x 12 ¹ / ₃ in	54 ¹ / ₈ x 36 ¹ / ₂ x 15 in
Mass		
kg	32.5 kg	39 kg
lbs	71 lbs 10 oz	85 lbs 14 oz

CableCARD™ is a trademark of Cable Television Laboratories, Inc.

TruSurround, SRS and the (●)® symbol are trademarks of SRS Labs, Inc.

TruSurround technology is incorporated under license from SRS Labs, Inc.

BBE and BBE Symbol are trademarks of BBE Sound, Inc. and are licensed by BBE Sound, Inc. under U.S. Patent No. 4,638,258 and 4,482,866.



Manufactured under license from Dolby Laboratories Licensing Corporation. Dolby and the double-D symbol are trademarks of Dolby Laboratories Licensing Corporation.



This TV incorporates High-Definition Multimedia Interface (HDMI™) technology. HDMI, the HDMI logo and High-Definition Multimedia Interface are trademarks or registered trademarks of HDMI Licensing LLC.

WEGA, Steady Sound, Digital Reality Creation, CineMotion, Memory Stick, Memory Stick Duo, Memory Stick PRO, Memory Stick PRO Duo, MagicGate, MID and Twin View are trademarks of Sony Corporation.

Design and specifications are subject to change without notice.

Television system

American TV standard, NTSC
ATSC compliant 8VSB, ATSC (8VSB terrestrial)
ANSI/SCTE 07 2000 QAM on cable

Channel coverage

Terrestrial 2-69/ Cable TV: 1-125 (analog)
Terrestrial: 2-69/ Cable TV: 1-135 (digital)

Screen Size (measured diagonally)

42 inches (KDF-42WE655 Only)
50 inches (KDF-50WE655 Only)

Antenna

75-ohm external antenna terminal for VHF/UHF

Projection System

3 LCD Panels, 1 lens projection system

LCD Panel

0.87 inch TFT LCD panel Approx. 3.28 million dots
(1,042,168 pixels)

Projection Lens

High Performance, large diameter hybrid lens F2.4

Lamp


UHP lamp, 100W XL-2100 or XL2100U

Supplied Accessories

Remote Commander RM-Y915
Two Size AA (R6) Batteries

WARNINGS AND CAUTIONS


CAUTION

 These servicing instructions are for use by qualified service personnel only. To reduce the risk of electric shock, do not perform any servicing other than that contained in the operating instructions unless you are qualified to do so.


WARNING!!

An isolation transformer should be used during any service to avoid possible shock hazard, because of live chassis. The chassis of this receiver is directly connected to the ac power line.

SAFETY-RELATED COMPONENT WARNING!!


Components identified by shading and  mark on the schematic diagrams, exploded views, and in the parts list are critical for safe operation. Replace these components with Sony parts whose part numbers appear as shown in this manual or in supplements published by Sony. Circuit adjustments that are critical for safe operation are identified in this manual. Follow these procedures whenever critical components are replaced or improper operation is suspected.

ATTENTION!!

 Ces instructions de service sont à l'usage du personnel de service qualifié seulement. Pour prévenir le risque de choc électrique, ne pas faire l'entretien autre que celui contenu dans le Mode d'emploi à moins que vous soyez qualifié faire ainsi.

Afin d'éviter tout risque d'électrocution provenant d'un châssis sous tension, un transformateur d'isolement doit être utilisé lors de tout dépannage. Le châssis de ce récepteur est directement raccordé à l'alimentation du secteur.

ATTENTION AUX COMPOSANTS RELATIFS A LA SECURITE!!

Les composants identifiés par une trame et par une marque  sur les schémas de principe, les vues explosées et les listes de pièces sont d'une importance critique pour la sécurité du fonctionnement. Ne les remplacer que par des composants Sony dont le numéro de pièce est indiqué dans le présent manuel ou dans des suppléments publiés par Sony. Les réglages de circuit dont l'importance est critique pour la sécurité du fonctionnement sont identifiés dans le présent manuel. Suivre ces procédures lors de chaque remplacement de composants critiques, ou lorsqu'un mauvais fonctionnement suspecte.

SAFETY CHECK-OUT

After correcting the original service problem, perform the following safety checks before releasing the set to the customer:

1. Check the area of your repair for unsoldered or poorly soldered connections. Check the entire board surface for solder splashes and bridges.
2. Check the interboard wiring to ensure that no wires are "pinched" or touching high-wattage resistors.
3. Check that all control knobs, shields, covers, ground straps, and mounting hardware have been replaced. Be absolutely certain that you have replaced all the insulators.
4. Look for unauthorized replacement parts, particularly transistors, that were installed during a previous repair. Point them out to the customer and recommend their replacement.
5. Look for parts which, though functioning, show obvious signs of deterioration. Point them out to the customer and recommend their replacement.
6. Check the line cords for cracks and abrasion. Recommend the replacement of any such line cord to the customer.
7. Check the B+ and HV to see if they are specified values. Make sure your instruments are accurate; be suspicious of your HV meter if sets always have low HV.
8. Check the antenna terminals, metal trim, "metallized" knobs, screws, and all other exposed metal parts for AC leakage. Check leakage as described below.

Leakage Test

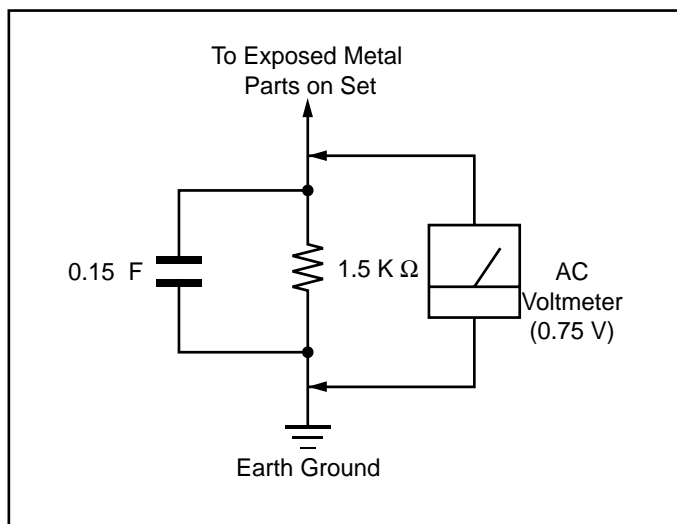


Figure A. Using an AC voltmeter to check AC leakage.

The AC leakage from any exposed metal part to earth ground and from all exposed metal parts to any exposed metal part having a return to chassis, must not exceed 0.5 mA (500 microamperes). Leakage current can be measured by any one of three methods.

1. A commercial leakage tester, such as the Simpson 229 or RCA WT-540A. Follow the manufacturers' instructions to use these instructions.
2. A battery-operated AC milliammeter. The Data Precision 245 digital multimeter is suitable for this job.
3. Measuring the voltage drop across a resistor by means of a VOM or battery-operated AC voltmeter. The "limit" indication is 0.75 V, so analog meters must have an accurate low voltage scale. The Simpson's 250 and Sanwa SH-63TRD are examples of passive VOMs that are suitable. Nearly all battery-operated digital multimeters that have a 2 VAC range are suitable (see Figure A).

How to Find a Good Earth Ground

A cold-water pipe is a guaranteed earth ground; the cover-plate retaining screw on most AC outlet boxes is also at earth ground. If the retaining screw is to be used as your earth ground, verify that it is at ground by measuring the resistance between it and a cold-water pipe with an ohmmeter. The reading should be zero ohms.

If a cold-water pipe is not accessible, connect a 60- to 100-watt trouble-light (not a neon lamp) between the hot side of the receptacle and the retaining screw. Try both slots, if necessary, to locate the hot side on the line; the lamp should light at normal brilliance if the screw is at ground potential (see Figure B).

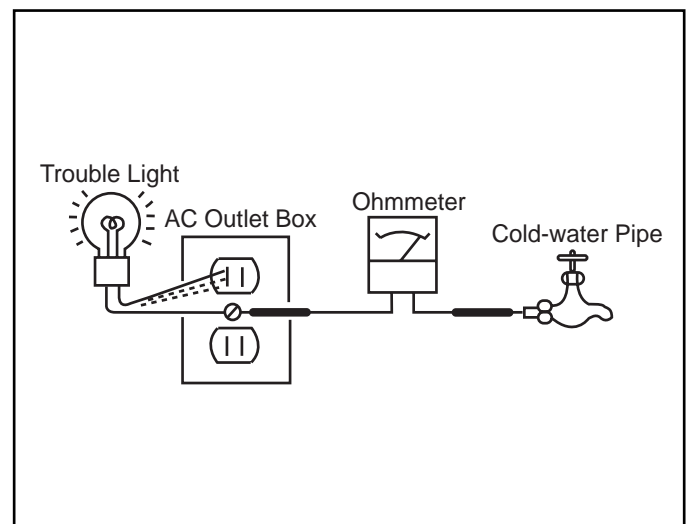


Figure B. Checking for earth ground.

SELF-DIAGNOSTIC FUNCTION



The units in this manual contain a self-diagnostic function. If an error occurs, the POWER/STANDBY or LAMP LED will automatically begin to flash. The number of times the LED flashes translates to a probable source of the problem. A definition of the POWER/STANDBY or LAMP LED flash indicators is listed in the instruction manual for the user's knowledge and reference. If an error symptom is difficult to reproduced use the Remote Commander to display the record that is stored at the internal NVM to specify the cause of the failure.

Diagnostic Test Indicators

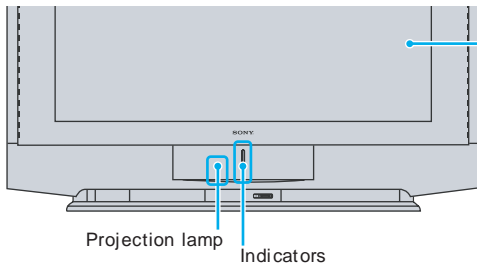
When an error occurs, the POWER/STANDBY or LAMP LED will flash a set number of times to indicate the possible cause of the problem. If there is more than one error, the LED will identify the first of the problem areas. If the errors occur simultaneously, the one that corresponds to the fewest flashes is identified first.

Results for all of the following diagnostic items are displayed on screen. No error has occurred if the screen displays a "0".

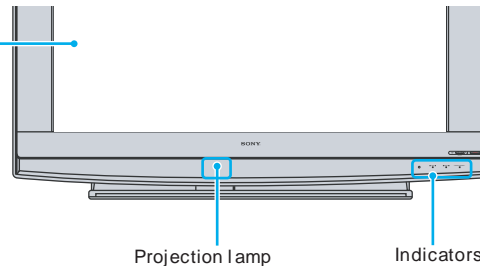
Diagnostic Item Description	Number of times STANDBY or LAMP LED lamp flashes	Probable Cause	Detected Symptoms
Lamp cover error	3 times	- Lamp cover is not fastened securely	- No picture/No sound
Fan error	4 times	- Fan1-4 Power is not supplied.(G2 board) - Fan connector is not seated securely - Fan caught wires or harnesses	- No picture/No sound
Temp error	4 times	- Internal temperature is too high - IIC-E line connector is not seated properly (WE:H3 board, WF/XS:H4 board)	- No picture/No sound
Lamp driver error	5 times	- Lamp driver defect	- No picture/No sound
Low B error	6 times	-No "DD 6V " output (G1 board)	- No picture/No sound
Audio error	7 times	- Short-circuit of Audio power supply line (KD board, G1 board) - Blowout of a fuse (F4702,F4703,F4704 on KD board) - IC failure (IC4703,IC4708,IC4710 on KD board)	- No picture/No sound
D-OVP error	8 times	- Overvoltage of +3.3V or +2.5V (A board, B board)	- No picture/No sound
ATSC-OVP error	10 times	-No "DTL MODULE 5V " output (G1 board, G2 board)	- No picture/No sound
Lamp error	LAMP-LED is ON.	- Lamp is dead	- No picture/No sound

Display of POWER/STANDBY or LAMP LED Flash Count

For K DF-WE655 series



For KDF-WF655 series



- One flash is not used for self-diagnosis

- Example

Diagnosis	Number of times LED Flash
Lamp cover	3 times
Fan	4 times

LED ON : 0.3sec
LED OFF : 0.3sec
LED OFF 3.0sec

Releasing the POWER/STANDBY LED Flash

Unplug the power cord from the outlet to temporarily stop the POWER/STANDBY lamp from flashing.

Self-Diagnosis Screen Display

For failures that are difficult to reproduce, or accompany occasional power off and/or picture mute, the Self-Diagnosis screen display is useful to specify the cause..

To Bring Up Screen Test

In standby mode, press the buttons on the Remote Commander sequentially, in rapid succession, as shown below:

1. → → →

Self-Diagnostic Screen Display

SELF CHECK		
1	: LAMP ERR	0
3	: LAMP COVER	0
4	: FAN-E/TEMP-E	1
5	: LAMP DRIVER	0
6	: LowB-ERR	0
7	: Audio-Prot	1
8	: D-OVP	0
10	: ATSC_OVP	0
101	: WDT	0

"1" is displayed when a failure is detected one or more times
"0" is displayed when no failure has been detected

Since the diagnostic results displayed on the screen are not automatically cleared, always check the self-diagnostic screen during repairs. When you have completed the repairs, clear the result display to "0".

Note: The self-diagnostic function will not be able to detect any subsequent faults after completion of the repairs unless the result display is cleared to "0".

cleared to "0".

Clearing the Result Display

To clear the result display to "0", press the buttons on the Remote Commander sequentially when the diagnostic screen is displayed, as shown below:

1. If the screen is already displayed, proceed to step 3. If not, Power off (Set to Standby model).
2. Press **Display** → **Channel 5** → **Sound Volume** → **Power ON**
3. Press **Channel 8** → **ENTER**

Clearing the Self-Diagnostic Screen

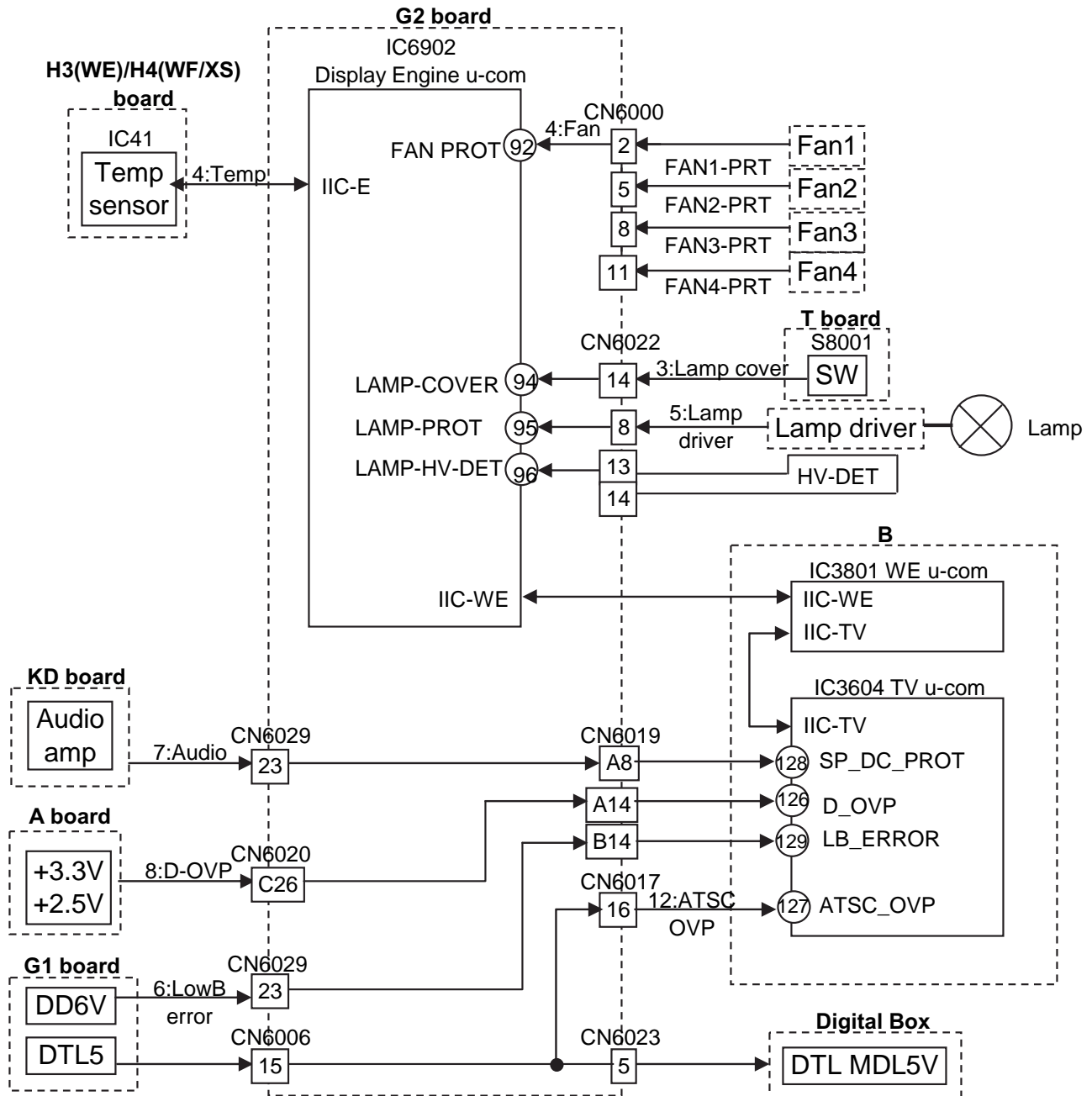
The self diagnosis screen display is cleared by turning off the set using the Remote Commander or the power switch.

Self-Diagnostic Circuit

Self-Diagnosis Function Operation

3	: Lamp cover	The rib at the back of the lamp cover closes the SW on the T board to ground pin 3 of CN8001. It is monitored by the DE-micro (pin 94 of IC6902) and turns off the lamp when it is opened.
4	: Fan	Fan rotation is detected by "FAN-PROT" and the DE-micro (pin 92 of IC6902) turns off the lamp when it is "high".
4	: Temp	When the temperature sensor on the H3 board (WE models) or H4 board (WF/XS models) detects high temperature, or IIC-E line connector (CN6022:G2 board, CN44:H3board/H4board) is not seated securely, the DE-micro turns off the lamp.
5	: Lamp driver	When the "LAMP-PROT" (pin 95) is low, the lamp is not turned on. If the "LAMP-HV-DET" (pin 96) is low at the same time, it is classified as no high voltage of the lamp driver.
6	: Low B error	When no "DD 6V" is detected, pin 129 of TV-micro is low and it turns off the main power.
7	: Audio	When DC voltage is detected at the speaker or woofer outputs, pin 128 of TV-micro is low and it turns off the main power.
8	: D-OVP	When overvoltage of "+3.3V" or "+2.5V" is detected, pin 126 of TV-micro is low and it turns off the main power.
10	: ATSC-OVP	When no "Digital Module 5V" is detected, pin 127 of TV-micro is low and it turns off the main power.
LAMP	: Lamp	When the Lamp Prot IC6902/pin 95 which is normally at (0v) goes high (5v), it goes into Lamp protect mode and the lamp turns off. If the "LAMP-HV-DET" IC6902/pin 96 (normally at 3v) goes low (0v) at the same time, it is classified as no high voltage of the lamp driver.

Self-Diagnosis Block Diagram



Reading Lamp and Panel time

Use the following to determine the lamp and panel time of a set.

Screen Display Method

In standby mode, press the buttons on the Remote Commander sequentially, in rapid succession, as shown below:

1. Press **Display** → Channel **5** → Sound Volume **+** → Power ON
2. To enter the DE-micro service menu, press **Jump** 3 times.
3. To display the Lamp time, press Channel **2** 9 times.

example

PANEL	NVM OK	9	OPTION_E
0 LAMP	0 Diff	1	
LampTM	14	LampCT	71

The screen displays:

"Total lamp time is 14 hours" and "Total lamp ON/OFF cycle is 71 times"

To reset the lamp time press Channel **3** → **Mute** → **Enter**.

WRI-EXE(Character color is Red) is momentarily displayed and LampTM is reset to "0".

4. To display the Panel time, press Channel **1** 7 times

example

PANEL	NVM OK	9	OPTION_E
7 SH SFT1	10 Diff	1	
PanelTM	14h		

The screen displays:

"Total Panel time is 14 hours"

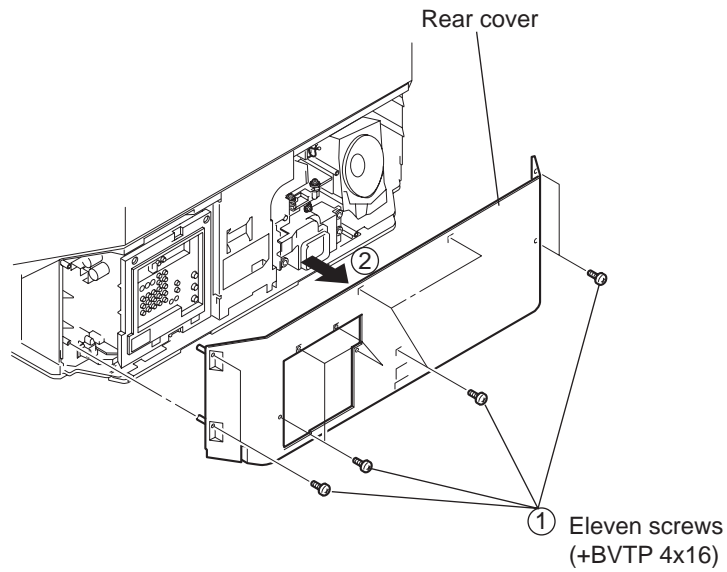
NOTE: You cannot reset the Panel time with the Service menu.

Exiting Service Mode

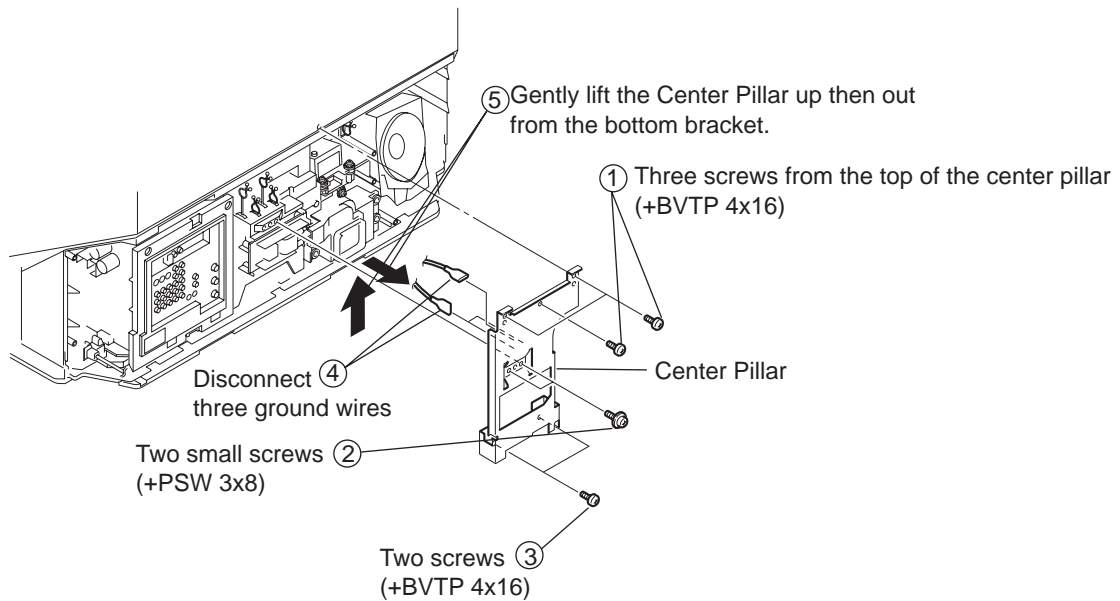
After completing the changes exit service mode by turning off the set using the Remote Commander or the power switch.

SECTION 1: DISASSEMBLY

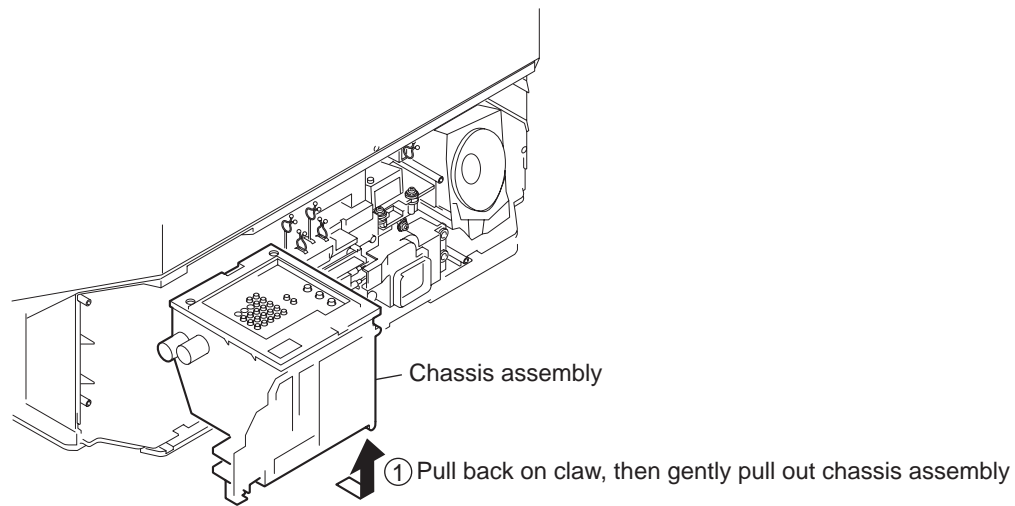
1-1. REAR COVER REMOVAL



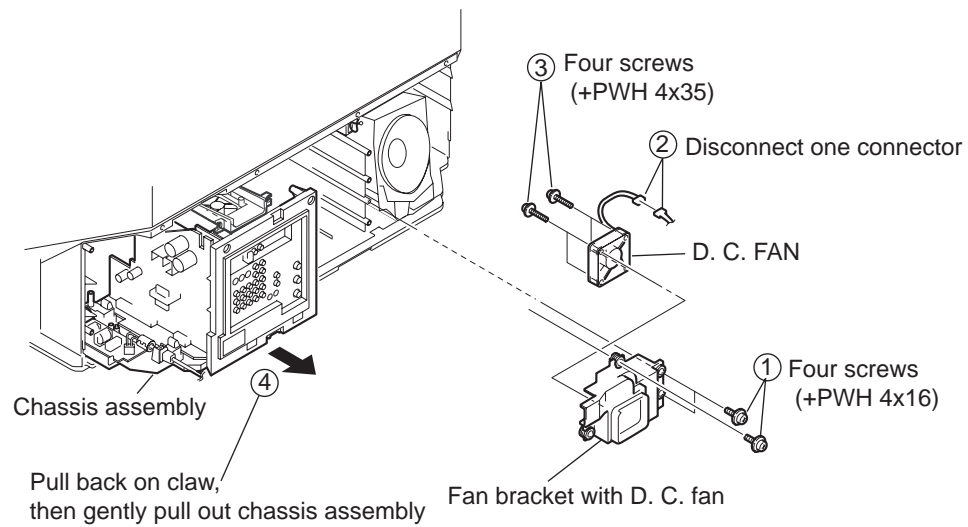
1-2. CENTER PILLAR REMOVAL



1-3. SERVICE POSITION

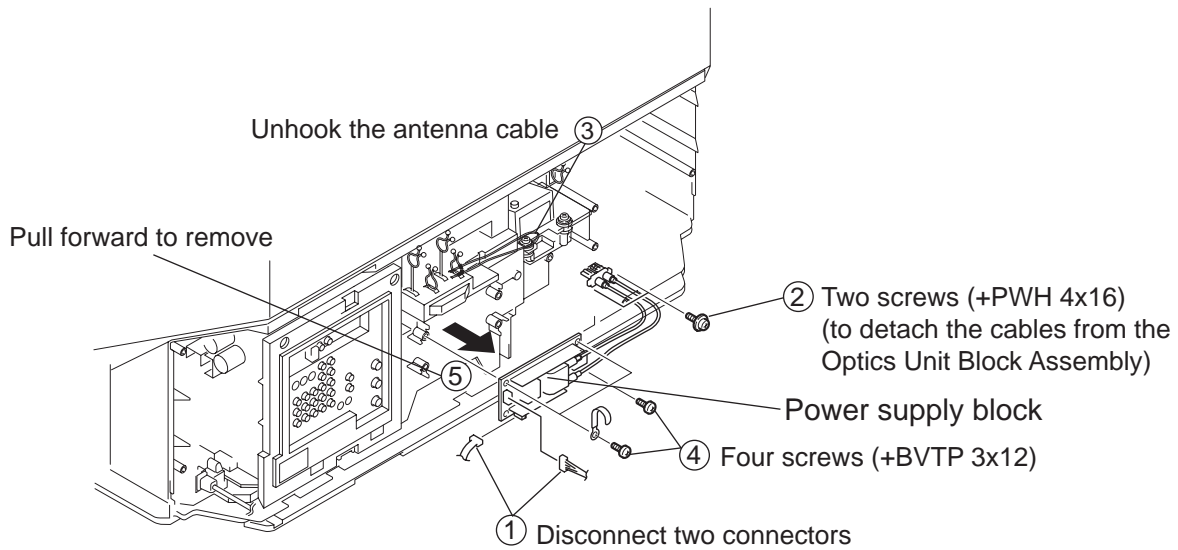


1-4. FAN AND CHASSIS ASSEMBLY REMOVAL

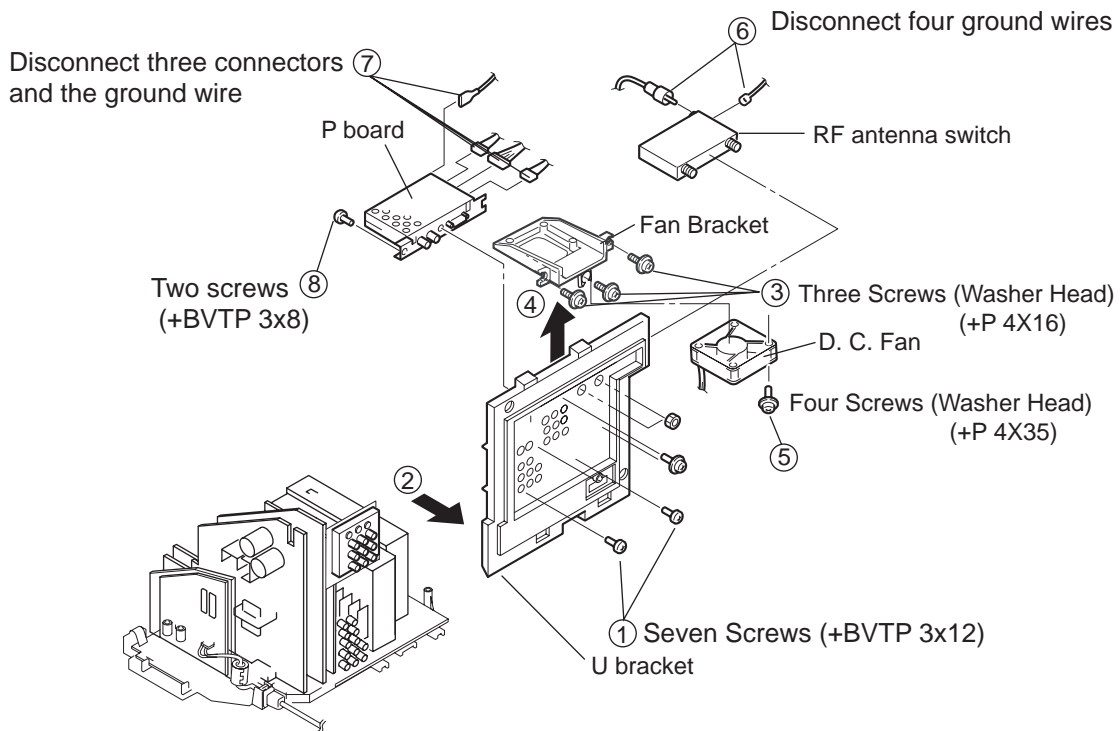


1-5. POWER SUPPLY BLOCK REMOVAL (LAMP DRIVE UNIT)

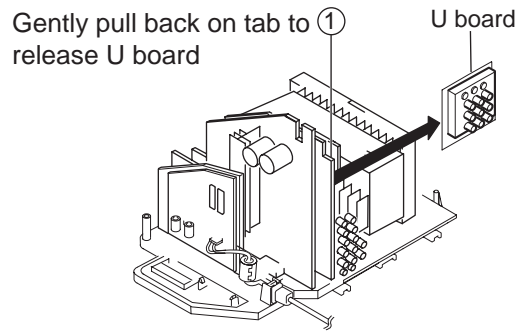
CAUTION: When removing the Power Supply Block be careful not to move the Optical Unit Block



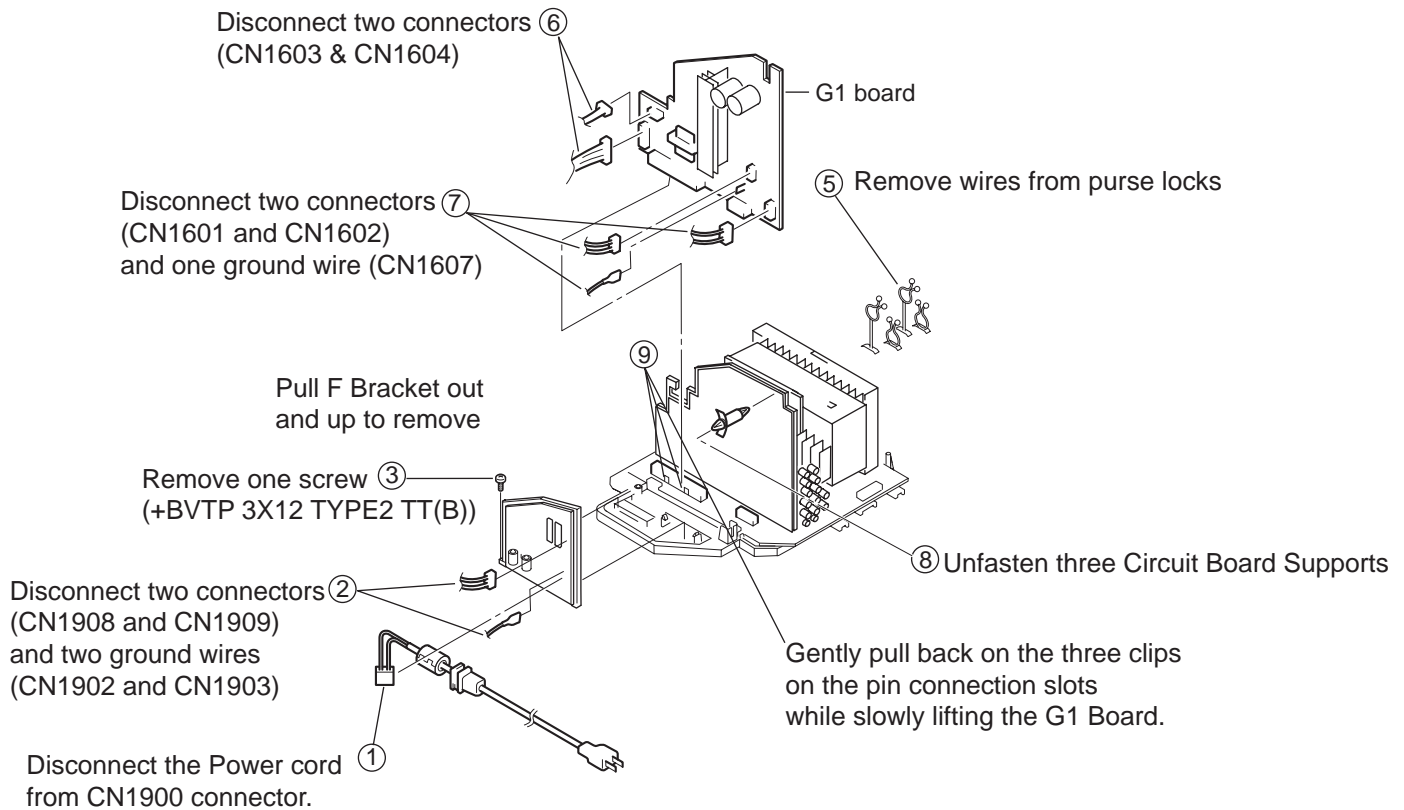
1-6. FAN, RF ANTENNA SWITCH, AND P BOARD REMOVAL



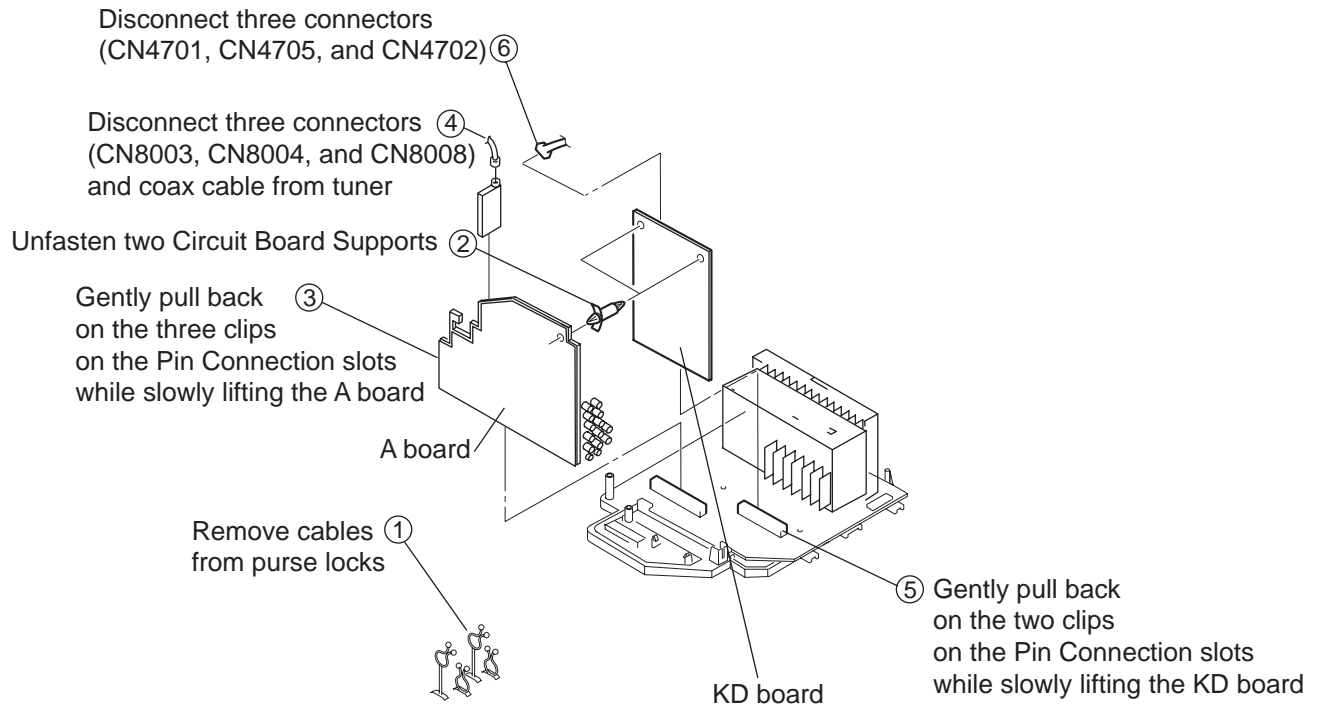
1-7. U BOARD REMOVAL



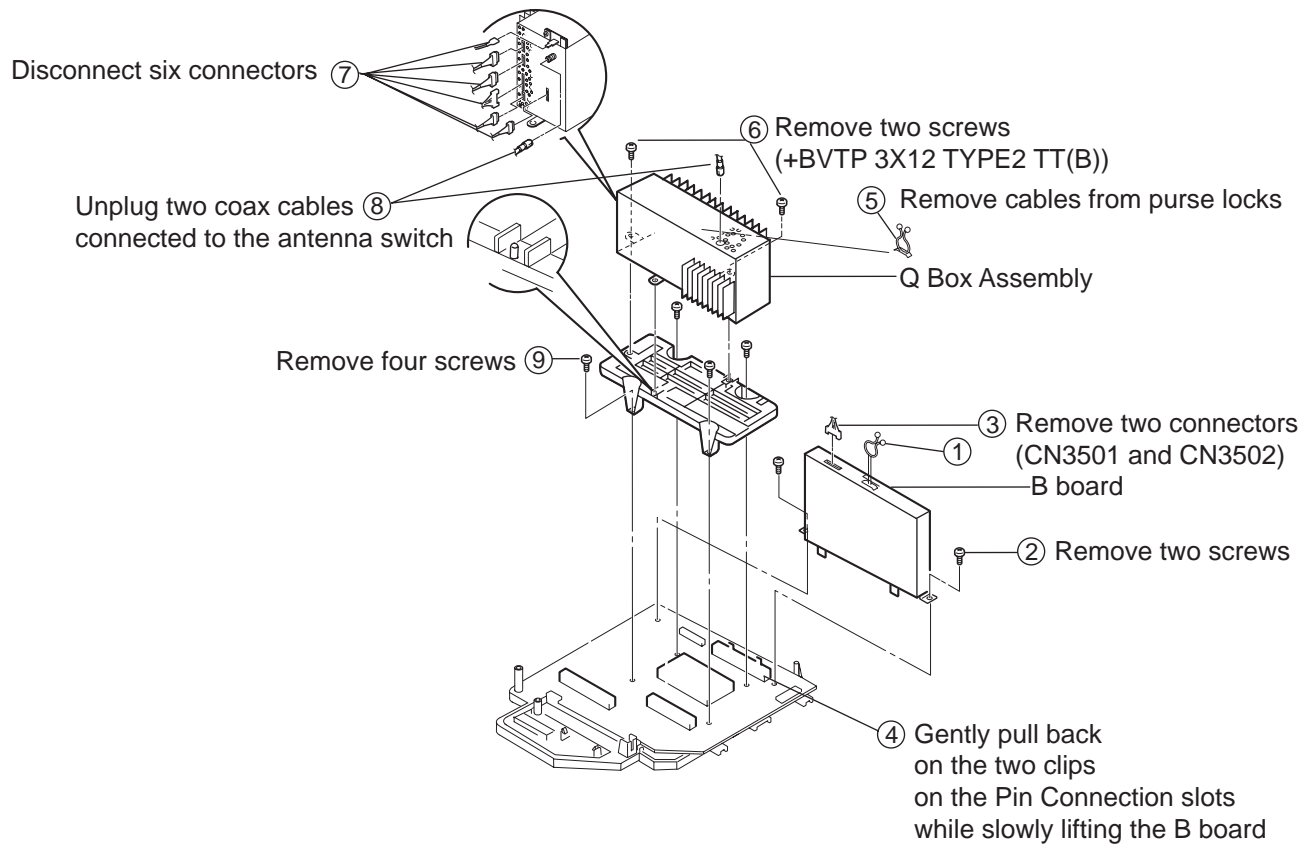
1-8. F BOARD AND G1 BOARD BOARD REMOVAL



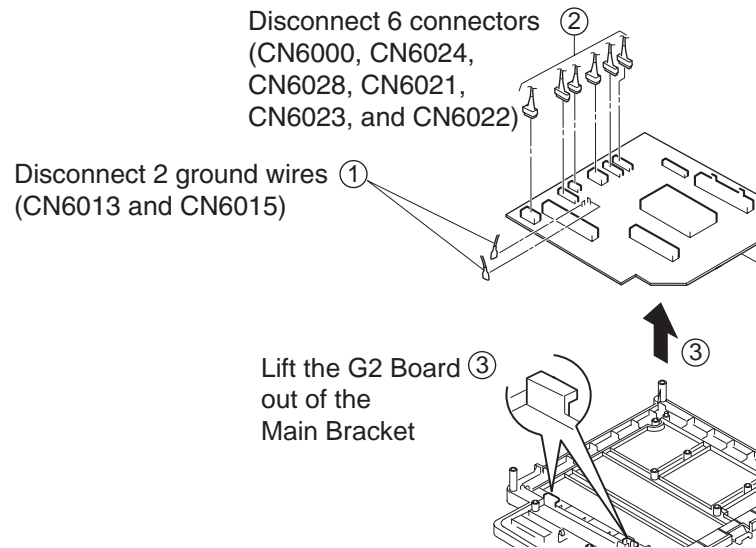
1-9. A BOARD AND KD BOARD REMOVAL



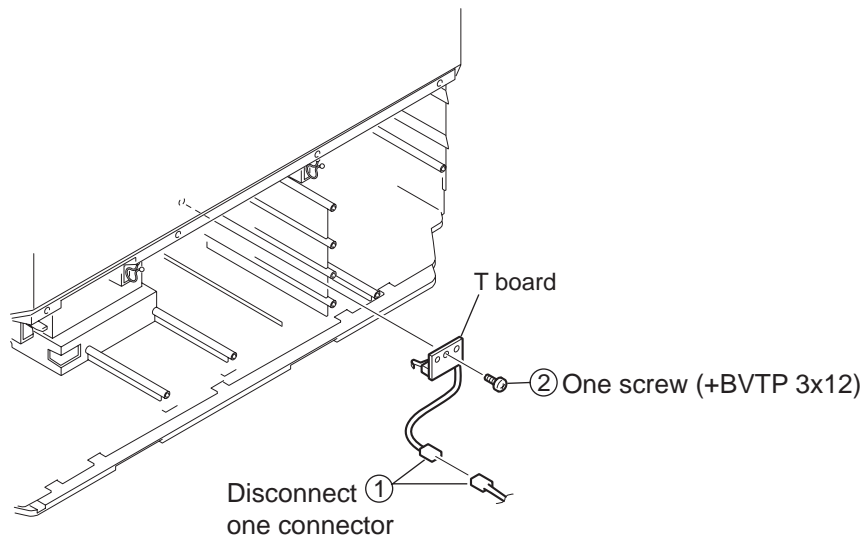
1-10. Q BOX ASSEMBLY, AND B BOARD REMOVAL



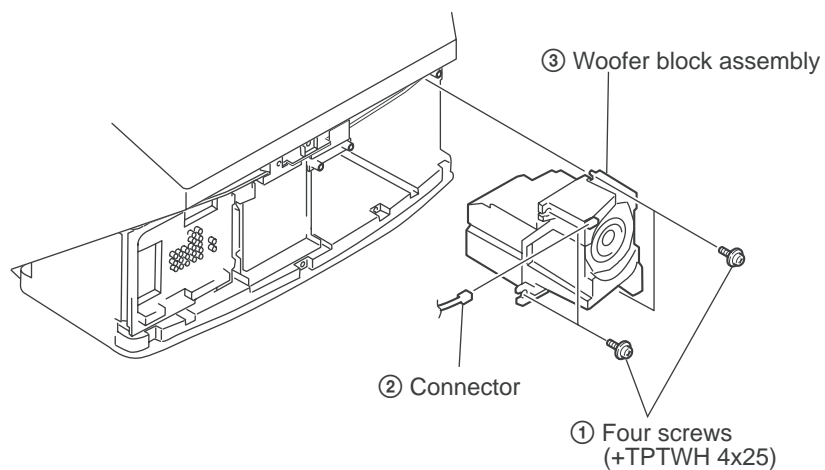
1-11. G2 BOARD REMOVAL



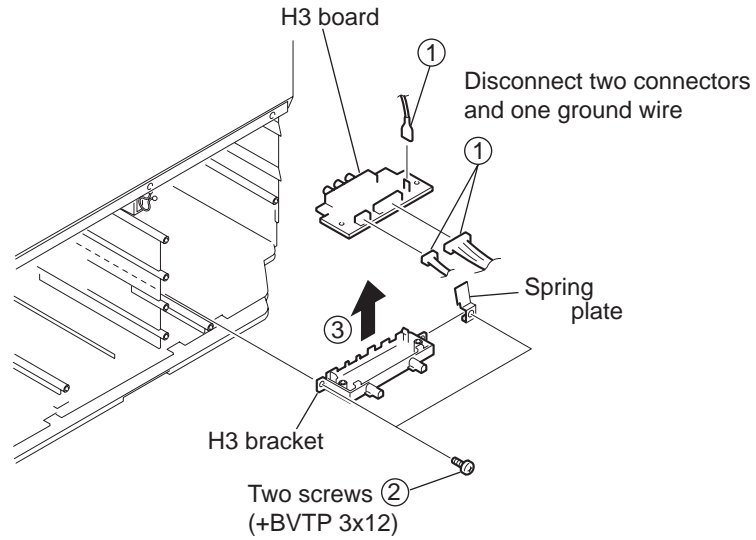
1-12. T BOARD REMOVAL



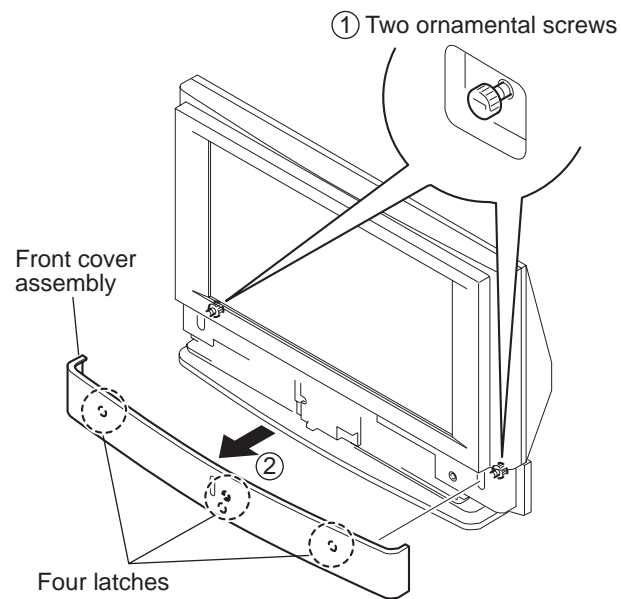
1-13. WOOFER REMOVAL



1-14. H3 BOARD REMOVAL (KDF-42WE655 ONLY)



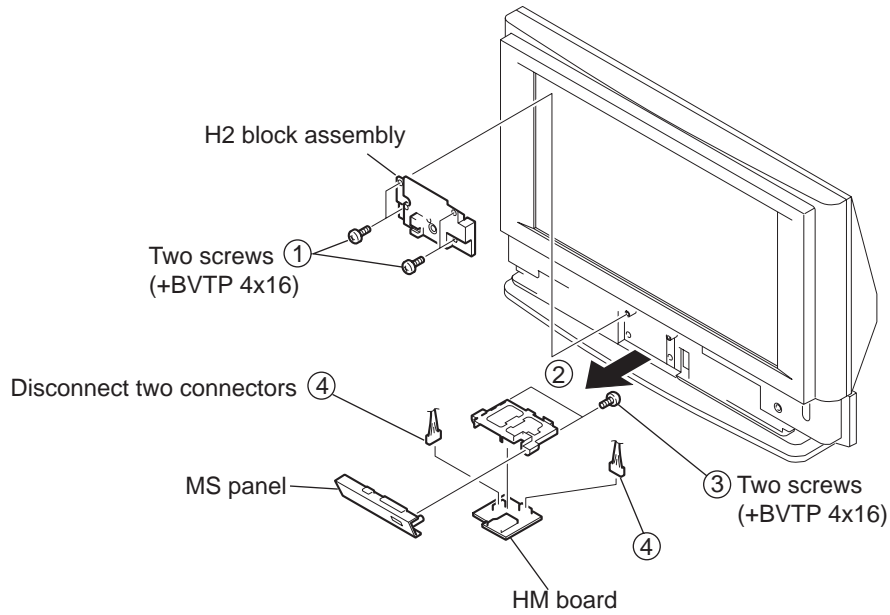
1-15. FRONT COVER ASSEMBLY REMOVAL



1-15-1. REPLACING THE LAMP

For detailed instructions on replacing the lamp, see Page 16 of the Operating Instructions manual.

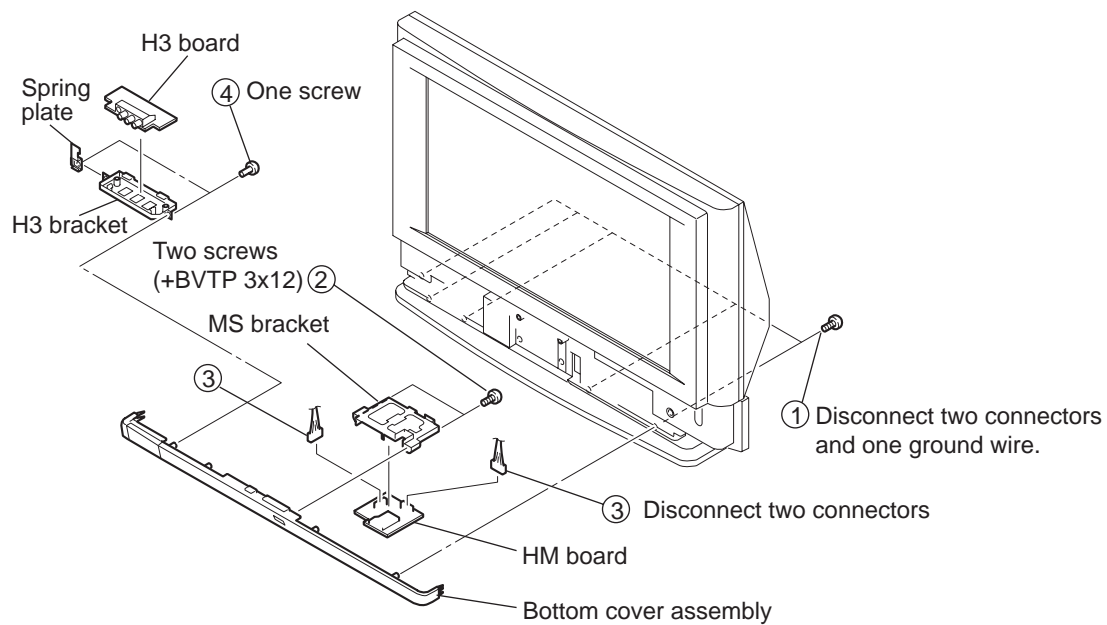
1-16. HM BOARD REMOVAL (KDF-42WE655 ONLY)



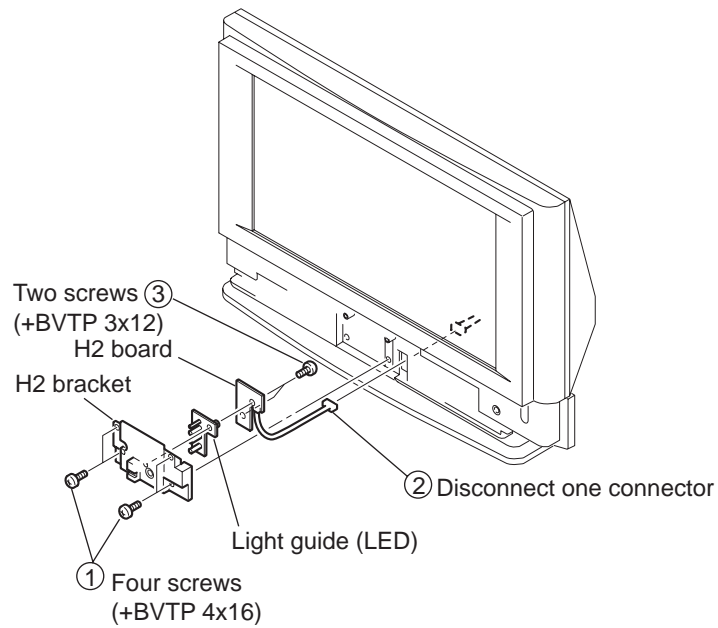
1-17. H3 BOARD AND HM BOARD REMOVAL (KDF-50WE655 ONLY)

Note:

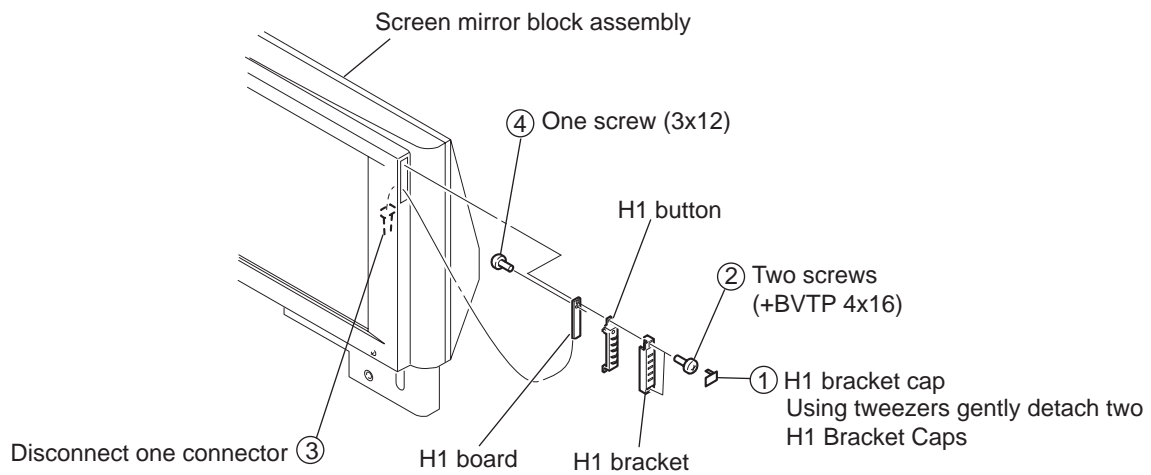
To remove the HM Board you need to remove the screws inside the Bottom Cabinet Assembly



1-18. H2 BOARD REMOVAL



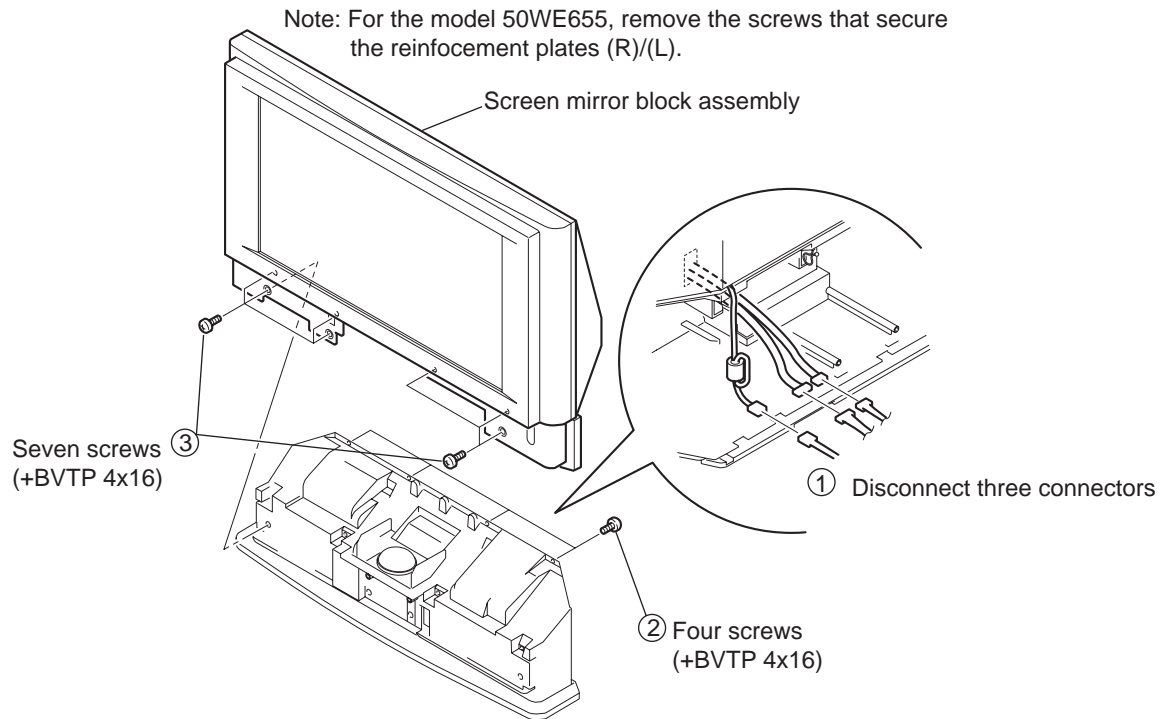
1-19. H1 BOARD REMOVAL



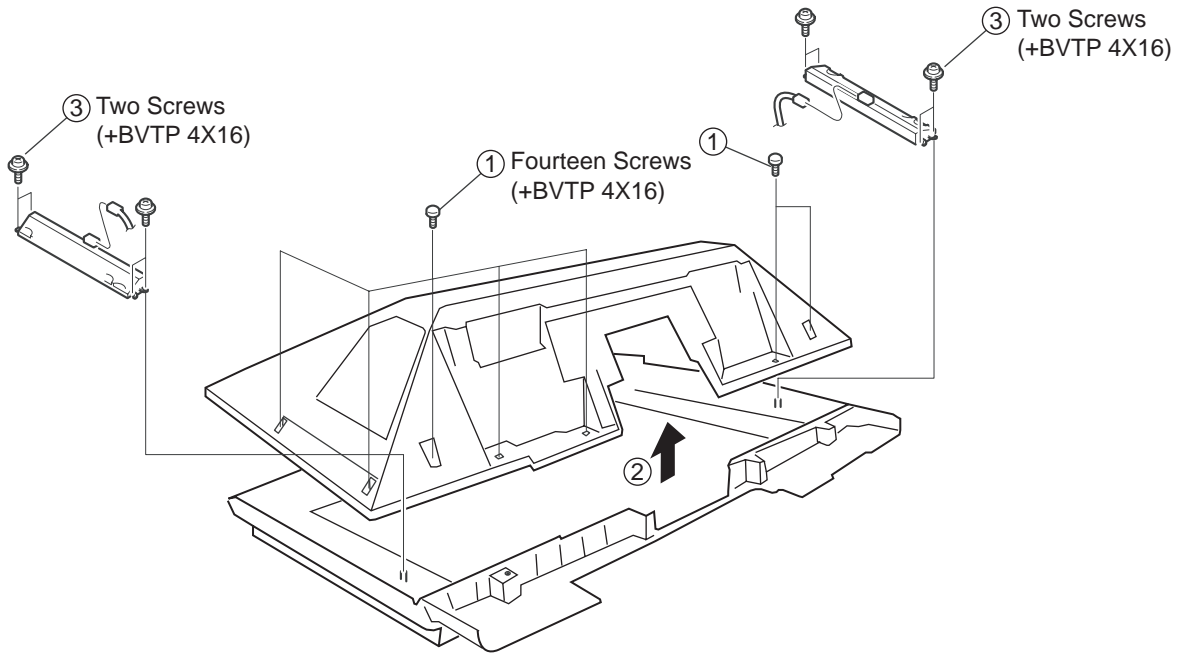
1-20. SCREEN MIRROR BLOCK ASSEMBLY REMOVAL

Caution:

When repairing anything inside the Screen Mirror Block Assembly be sure to clean the mirror and Diffusion Plate to remove any dust particles.

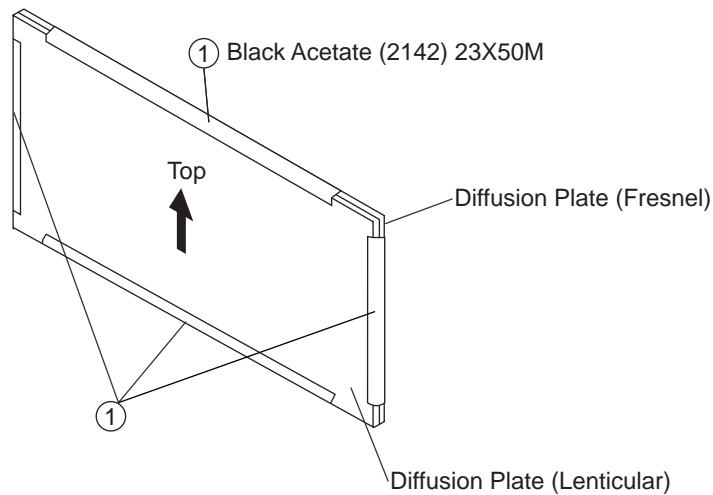


1-21. MIRROR COVER ASSEMBLY AND SPEAKER REMOVAL

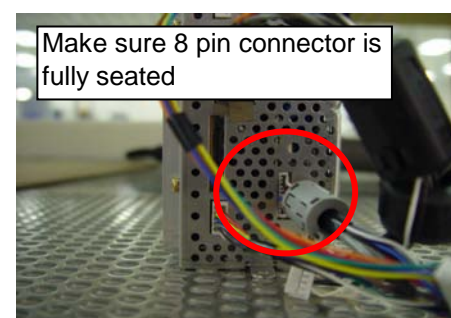
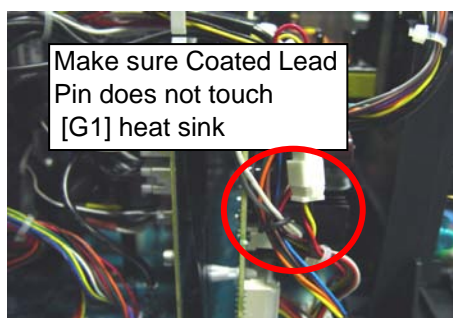
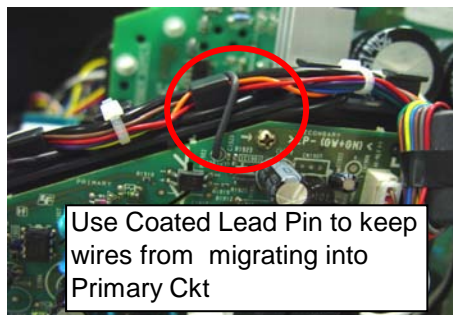
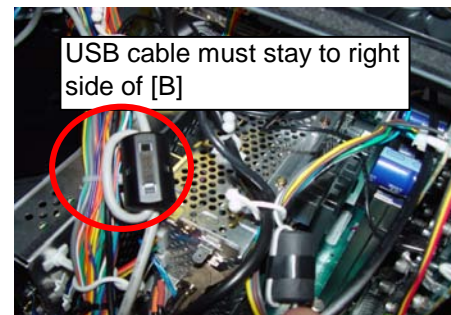
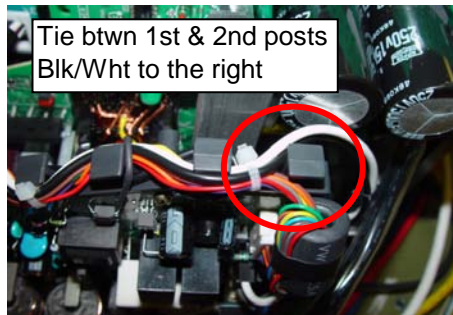
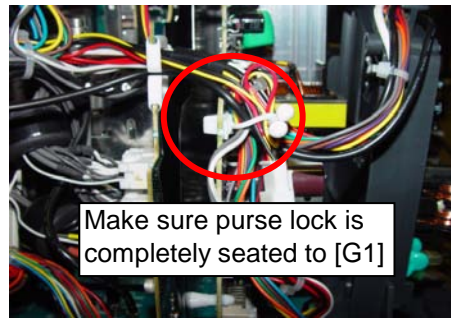


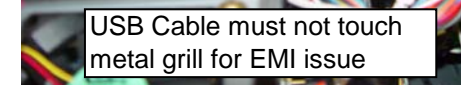
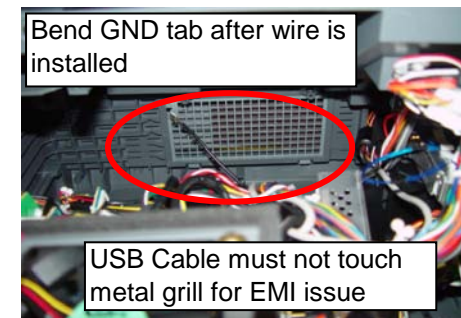
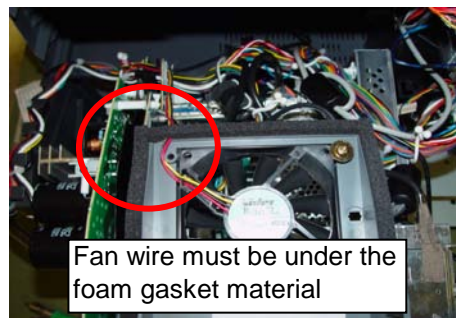
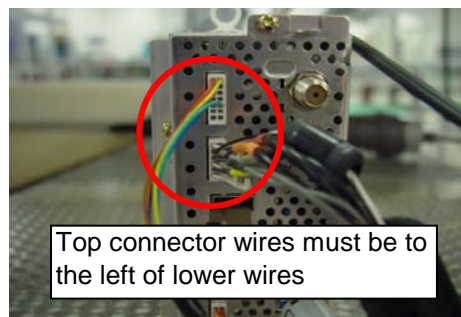
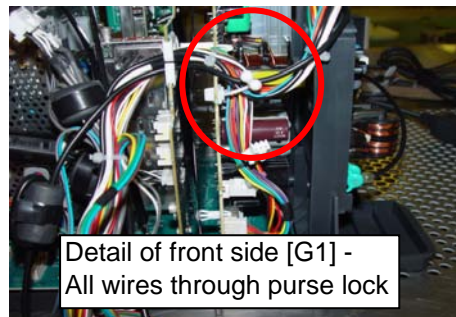
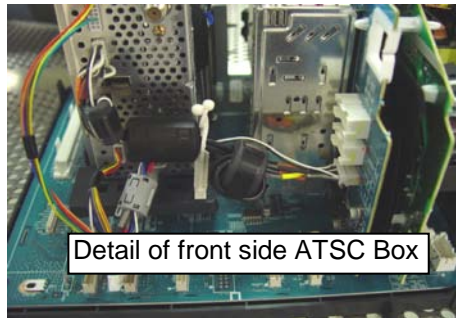
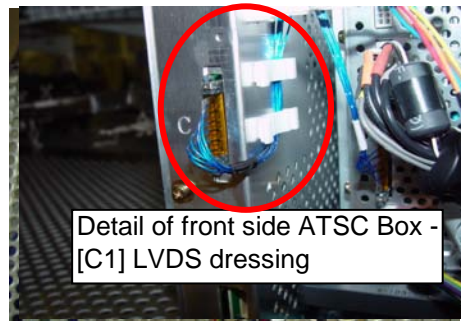
1-21-1.DIFFUSION PLATES (SCREENS) TAPE METHOD

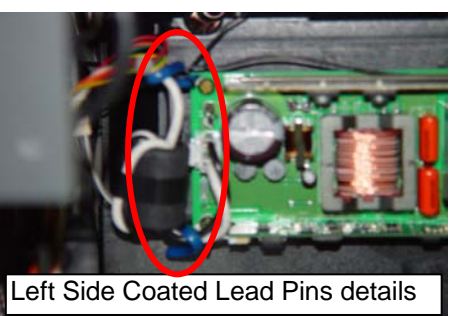
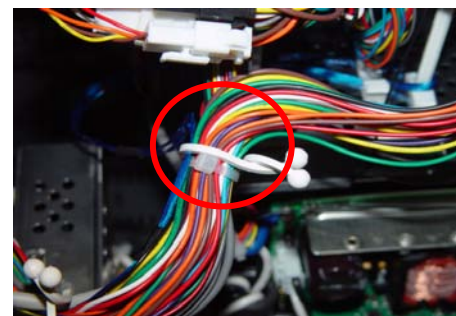
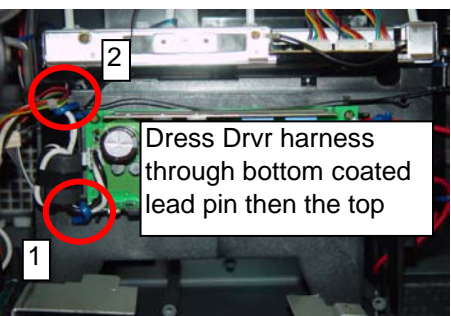
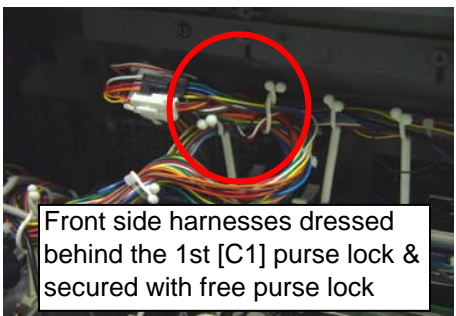
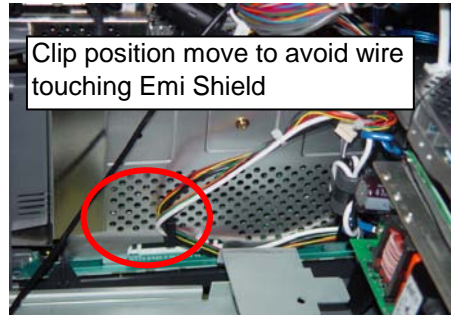
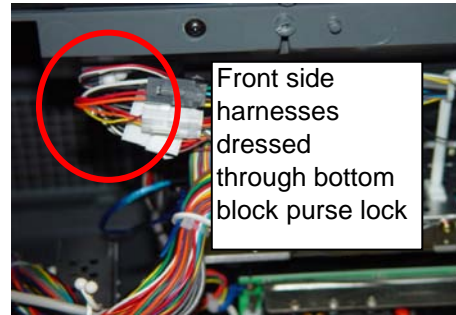
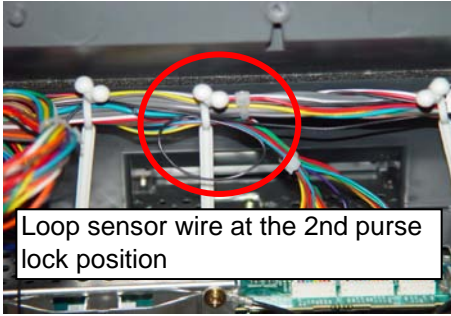
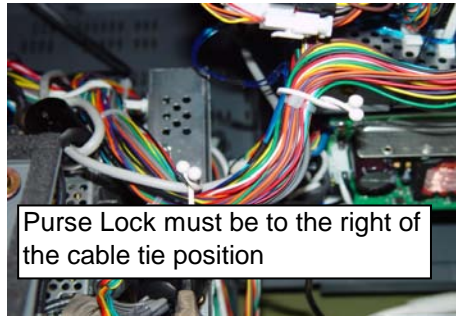
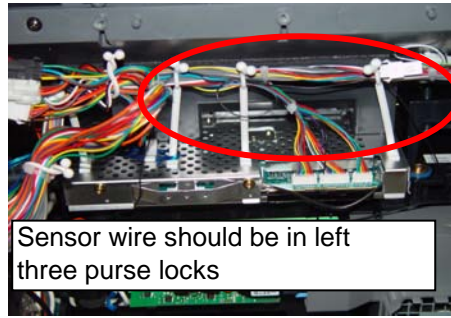
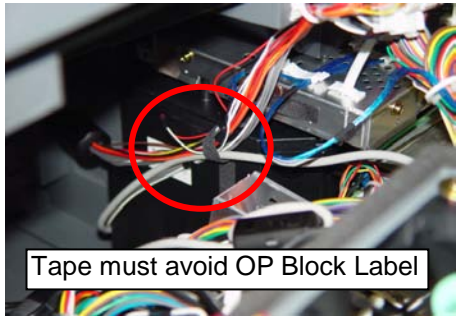
The following diagram illustrates the taping method when replacing the Diffusion Plates. For Part Numbers refer to section 6-1. Cover.

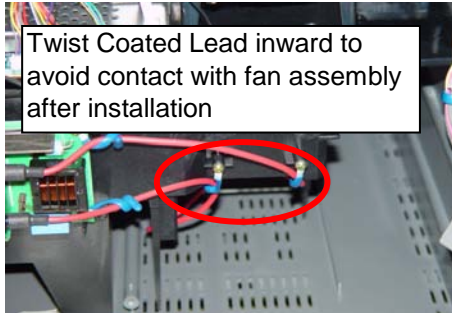
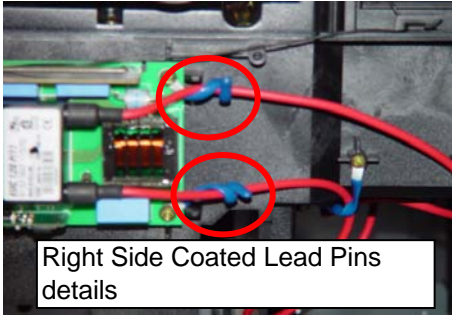


WIRE DRESSING









SECTION 2: CIRCUIT ADJUSTMENTS

2-1. SETTING THE SERVICE ADJUSTMENT MODE

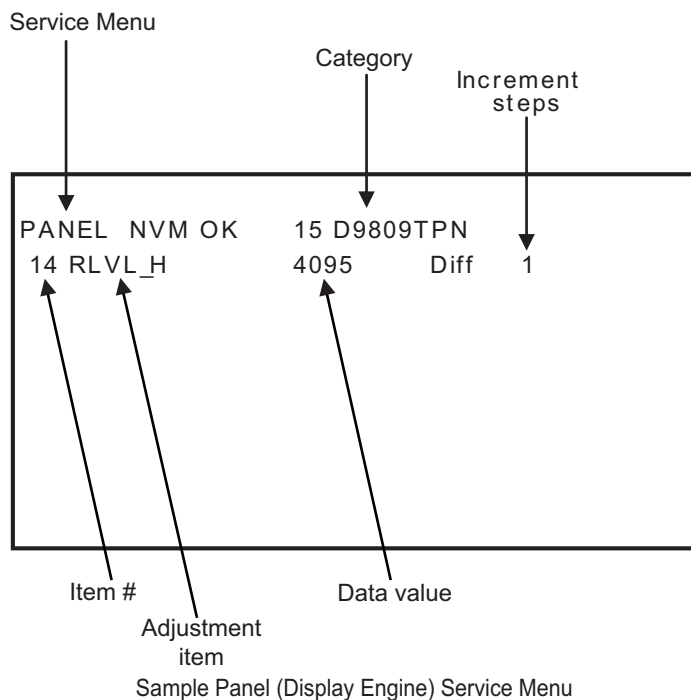
To adjust various set features, use the Remote Commander to put the set into service mode to display the service menus.

- TV must be in standby mode. (Power off).
- Press the following buttons on the Remote Commander within a second of each other:

[DISPLAY] → Channel [5] → Volume [+] → [POWER].

The first service menu (TV) displays.

- To display the service menu that contains the category you want to adjust, press [JUMP] on the Remote Commander. (Refer to Service Menus)



2-2. SERVICE ADJUSTMENT MODE MEMORY

The screen displays the first category in the selected service menu.

- To change the **category**, press [2] or [5] on the Remote Commander.

Note: Pressing [2] or [5] only changes the categories within the service menu displayed. To change a category on one of the other service menus, press the [JUMP] button until the correct service menu is displayed.
- To change the **adjustment item**, press [1] or [4] on the Remote Commander.
- To change the **data value**, press [3] or [6] on the Remote Commander.

Note: To go back to the last saved data value, press [0] then [ENTER] on the Remote Commander to read the memory.
- To write into memory, press [MUTING] then [ENTER] on the Remote Commander.
- To exit service mode, turn the power off.

SERVICE MENUS

(CATEGORIES ONLY)

TV	Q BOX	WEM 2 (WEGA ENGINE)	PANEL (DISPLAY ENGINE)
VERSION	QM	DCP-INT	OP
CXA2209Q	QT	DCP-OSD	A7001R
AP		DCP-BLK	A7001G
DLBY		DCP-ADJ1	A7001B
BUSSW		DCP-ADJ2	GB_RGB
CXA2103		DCP-USER	FAN_CNT1
CXA2163		DCP-AVP	FAN_CNT2
2DCOMB		MID-1-9	TEMP
TELETEXT		SNNR	OSD_E
MSP SIZE		SNSS	OPTION_E
MSPMD		DRCVR	S_MAS_M
MSPSEL		USER-NR	S_MAS_S
MSPFNC		LPFC	J_L004
MSP3714G		CCPM-1 (1-12)	D9809_1
CCPS (1-11)		OVSN	D9809PIC
DELAY (1-2)		OP	D9809TPN
OSD			D9809CUR
CC M			D9809TG1
CC S			D9809 OSD
CC T			D9809HPF
ID			D9809CSC
OPB GA			D9809CGA
OP GA			D9809HUE
OP US			IMG_SHFT
			PROT_CNT

2-3. MEMORY WRITE CONFIRMATION METHOD

1. After completing all adjustments turn the set off with the Remote Commander and **WAIT** for the fans to turn off before proceeding to the next step.

Note: It may take up to two minutes for the fans to stop.

Caution: To avoid over heating the lamp, do not unplug the set until the fans have stopped.

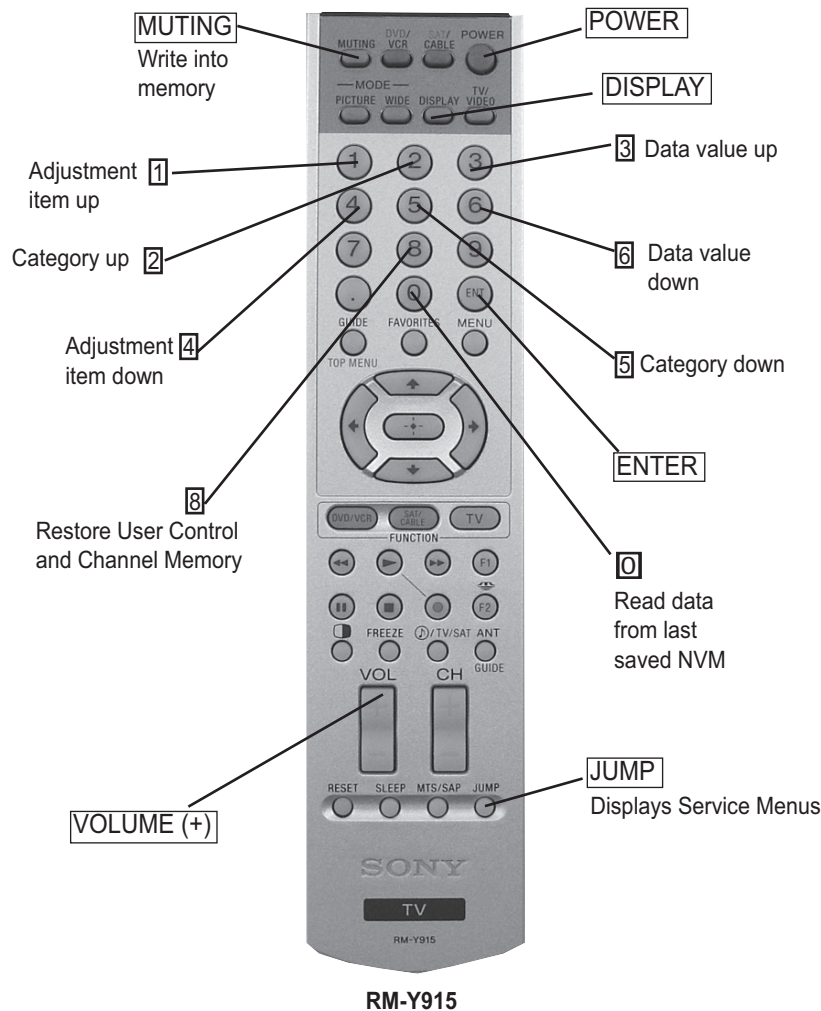
2. After the fans have stopped, unplug the set from the AC outlet, then plug the set back in the AC outlet.

3. To verify the changes repeat steps 2 through 5 from sections 2-1. Setting the Service Adjustment Mode and 2-2. Service Adjustment Mode Memory.

4. To exit service mode, turn the power off.

Note: To restore the User Controls and Channel Memory settings to the preset factory conditions, put the set into service mode (step 2 from 2-1. Setting the Service Adjustment Mode), then press **8 then **ENTER** on the Remote Commander. The set will restart and display the initial setup screen.**

2-4. REMOTE ADJUSTMENT BUTTONS AND INDICATORS

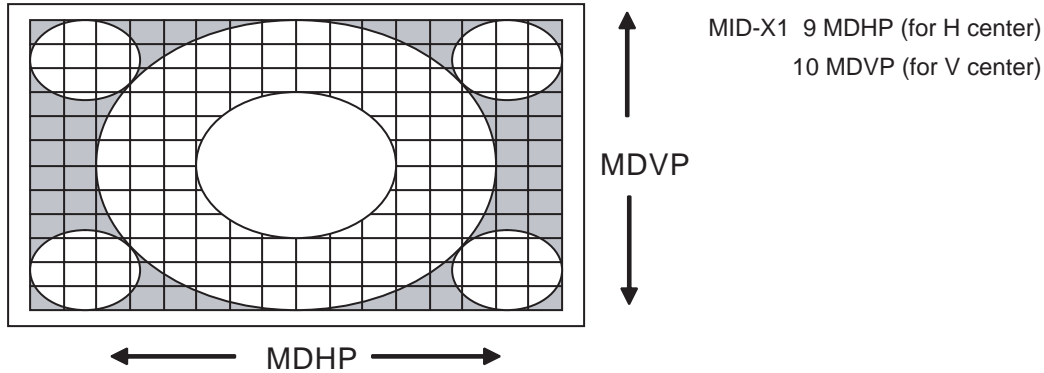


2-5. H/V CENTER CONFIRMATION AND ADJUSTMENTS

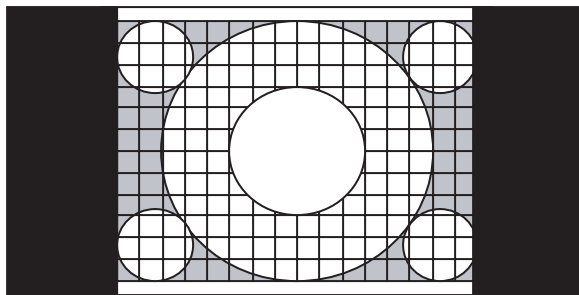
Please check the picture horizontal/vertical center after the replacement of the Optics Unit Block Assembly or any part of the Top assembly.

1. Check the H/V center with 480i monoscope signal in "Full" mode.
2. If the center is shifted, adjust using the following service items:

NOTE: Please record the steps shifted as \triangleleft MDHP and \triangleleft MDVP.

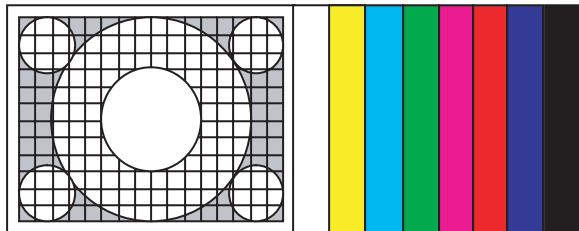


3. Change the WIDE mode to "Normal" and change the register data as follows:



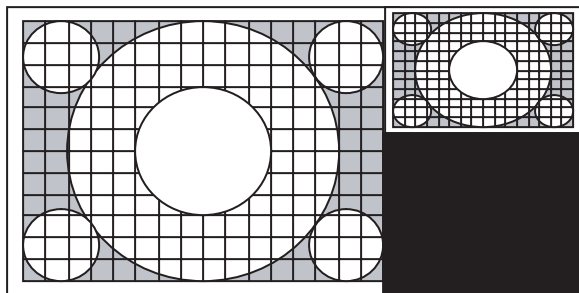
MID-X1 9 MDHP + \triangleleft MDHP
(Don't change the MDVP data)

4. Display the Twin Picture with the "split" button of the remote commander and change the registers data as follows:



MID-X1 9 MDHP + \triangleleft MDHP
10 MDVP + \triangleleft MDVP

5. Press "Favorites" button and change the registers data as follows:



MID-X1 9 MDHP + \triangleleft MDHP
10 MDVP + \triangleleft MDVP

6. OSD horizontal position must be adjusted as follows:

If above sum exceeds 255, set 1 to "16 RP1H" and set the "sum-256" to "17 RP1L".

Since the registers are different from other cases, be careful to follow complete instructions, and write the data before changing the display/

2-6. SERVICE DATA

Only the Adjustable registers are shown in this data list.

A complete set of the service data, Fixed and Adjustable, can be downloaded at:

http://www-ec.sdp.sel.sony.com/padics/Model_Data_List.htm

Only Sony authorized Service Technician can access this site. To request a complete list of the service data in PDF format please contact the Service Promotion Department at Service_Promotion@am.sony.com.

TV SERVICE DATA

CATEGORY	#	ITEM	DESCRIPTION	CONDITION	SERVICE DATA (dec)				
					42WE655	50WE655		MIN	MAX
CXA2103	4	SCON		RF	8	8		0	15
				CV	8	8		0	15
				YC	8	8		0	15
	5	SCOL		RF	3	3		0	15
				CV	3	3		0	15
				YC	3	3		0	15
	6	SHUE		RF	10	10		0	15
				CV	3	3		0	15
				YC	3	3		0	15

WEGA ENGINE SERVICE DATA

CATEGORY	#	ITEM	DESCRIPTION	CONDITION	SERVICE DATA (dec)				
					42WE655	50WE655		MIN	MAX
DCP_OSD	16	RP1H			0	0		0	15
	17	RP1L			251	251		0	255
DCP_ADJ1	2	SCON		Component-480i	185	185		0	255
				Component-480p	192	192		0	255
				Component-1080i	193	193		0	255
				Component-720p	194	194		0	255
				ATSC-480i	178	178		0	255
				ATSC-480p	182	182		0	255
				ATSC-1080i	183	183		0	255
				ATSC-720p	182	182		0	255
				ATSC-TEXT	183	183		0	255
				HDMI-480i	185	185		0	255
				HDMI-480p	192	192		0	255
				HDMI-1080i	193	193		0	255
				HDMI-720p	194	194		0	255
				HDMI(VGA etc)	192	192		0	255
				MemoryStick(MPEG1)	183	183		0	255
MemoryStick(MPEG2)	183	183		0	255				
MemoryStick(PHOTO)	183	183		0	255				

WEGA ENGINE SERVICE DATA

CATEGORY	#	ITEM	DESCRIPTION	CONDITION	SERVICE DATA (dec)					
					42WE655	50WE655		MIN	MAX	
DCP_ADJ1	11	SCOL		Component-480i	200	200		0	255	
				Component-480p	201	201		0	255	
				Component-1080i	213	213		0	255	
				Component-720p	213	213		0	255	
				ATSC-480i	180	180		0	255	
				ATSC-480p	179	179		0	255	
				ATSC-1080i	178	178		0	255	
				ATSC-720p	189	189		0	255	
				ATSC-TEXT	190	190		0	255	
				HDMI-480i	200	200		0	255	
				HDMI-480p	201	201		0	255	
				HDMI-1080i	213	213		0	255	
				HDMI-720p	213	213		0	255	
				HDMI(VGA etc)	201	201		0	255	
				MemoryStick(MPEG1)	190	190		0	255	
MemoryStick(MPEG2)	190	190		0	255					
MemoryStick(PHOTO)	190	190		0	255					
MID_1	9	MDHP		Panel-0:Normal(SidePanel)	107	107		0	255	
				Panel-0:Window SidePanel	255	255		0	255	
				Panel-0:Twin(Center)	17	17		0	255	
				Panel-0:Favorite	21	21		0	255	
				Panel-0:Other	12	12		0	255	
CCPM_1	20	CVYL		Single:UV	183	183		0	255	
				Single:Video	193	193		0	255	
				UV(Twin/Favorite/Index)	171	171		0	255	
				Video(Twin/Favorite/Index)	171	171		0	255	
	21	CVCL			Single:UV	128	128		0	255
					Single:Video	133	133		0	255
					UV(Twin/Favorite/Index)	136	136		0	255
					Video(Twin/Favorite/Index)	136	136		0	255
	26	SHUE			Single:UV	32	32		0	63
					UV(Twin/Favorite/Index)	32	32		0	63

LCD ENGINE SERVICE DATA

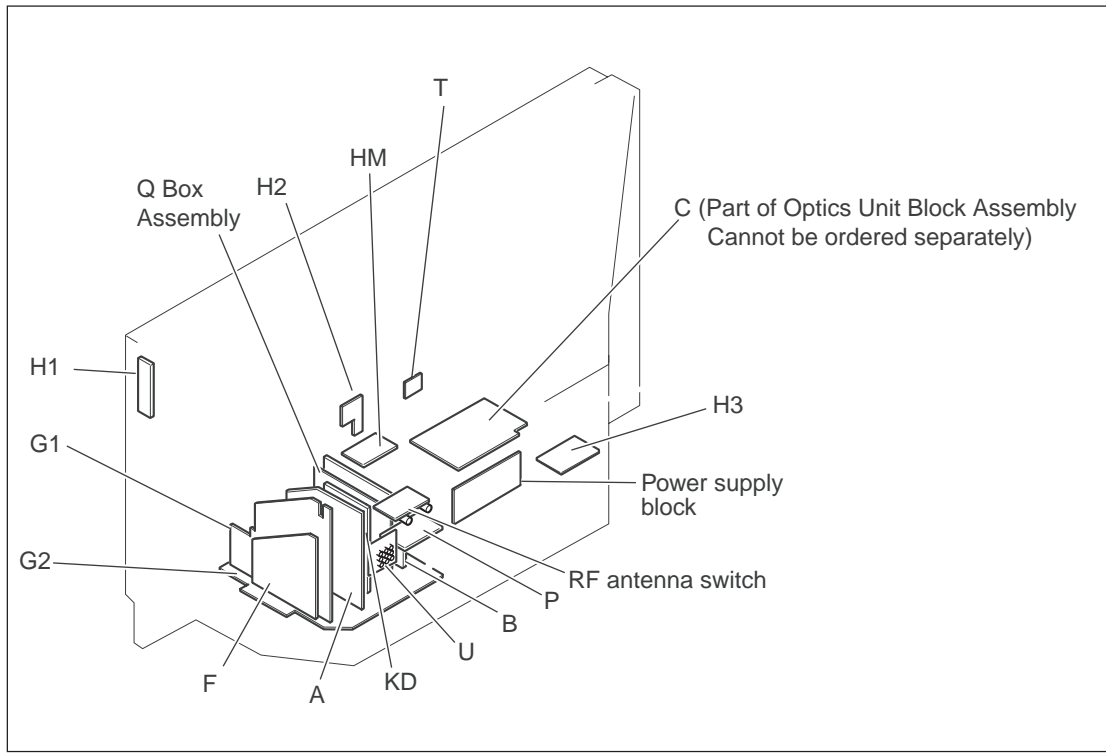
CATEGORY	#	ITEM	DESCRIPTION	CONDITION	SERVICE DATA (dec)					
					42WE655	50WE655		MIN	MAX	
A7001R	0	RGAINA			204	204		0	255	
	1	RGAINB			32	32		0	63	
	2	ROFSETA			165	165		0	255	
	3	ROFSETB			32	32		0	63	
	6	RVCOM			47	47		0	63	
	7	RSIDLVL			8	8		0	15	
	A7001G	0	GGAINA			190	190		0	255
1		GGAINB			32	32		0	63	
2		GOFSETA			146	146		0	255	
3		GOFSETB			32	32		0	63	
6		GVCOM			46	46		0	63	
7		GSIDLVL			8	8		0	15	
A7001B		0	BGAINA			179	179		0	255
	1	BGAINB			32	32		0	63	
	2	BOFSETA			125	125		0	255	
	3	BOFSETB			32	32		0	63	
	6	BVCOM			42	42		0	63	
	7	BSIDLVL			8	8		0	15	
	D9809PIC	0	CNTRAST			165	165		0	255
1		SCON			32	32		0	127	
2		BRT			220	220		0	255	
3		SBRT			192	192		0	255	
4		RGAIN			128	128		0	255	
5		GGAIN			128	128		0	255	
6		BGAIN			128	128		0	255	
7		RBIAS			0	0		0	255	
8		GBIAS			0	0		0	255	
9		BBIAS			0	0		0	255	
10		USC_ON			1	1		0	1	
11		BLK_LEF		pawn_pic3_normal		0	0		0	2047
				pawn_pic3_wide		0	0		0	2047
12		BLK_RGT		pawn_pic3_normal		0	0		0	2047
				pawn_pic3_wide		0	0		0	2047
13		BLK_TOP				0	0		0	2047
14		BLK_BTM				0	0		0	2047
15	BLK_LVL				0	0		0	63	
16	INBLKON				0	0		0	1	
17	OBLK_ON				0	0		0	1	

2-7. ID MAP TABLE

Model	ID-0	ID-1	ID-2	ID-3	ID-4	ID-5	ID-6	ID-7	ID-8
KF-42WE655	17	1	239	107	0	99	54	31	10
KF-50WE655	17	1	239	107	0	99	54	31	10

SECTION 3: DIAGRAMS

3-1. CIRCUIT BOARDS LOCATION



3-2. PRINTED WIRING BOARDS AND SCHEMATIC DIAGRAMS INFORMATION

All capacitors are in μF unless otherwise noted. pF : μF 50WV or less are not indicated except for electrolytics and tantalums.

All electrolytics are in 50V unless otherwise specified.

All resistors are in ohms. $\text{k}\Omega=1000\Omega$, $\text{M}\Omega=1000\text{k}\Omega$

Indication of resistance, which does not have one for rating electrical power, is as follows: Pitch : 5mm
Rating electrical power : $\frac{1}{4}$ W

$\frac{1}{4}$ W in resistance, $\frac{1}{10}$ W and $\frac{1}{16}$ W in chip resistance.

: nonflammable resistor

: fusible resistor

: internal component

: panel designation and adjustment for repair

: earth ground

: earth-chassis

All variable and adjustable resistors have characteristic curve B, unless otherwise noted.

Readings are taken with a color-bar signal input.

Readings are taken with a $10\text{M}\Omega$ digital multimeter.

Voltages are DC with respect to ground unless otherwise noted.

Voltage variations may be noted due to normal production tolerances.

All voltages are in V.

S : Measurement impossibility.

: B+line.

: B-line. (Actual measured value may be different).

: signal path. (RF)

Circled numbers are waveform references.

The components identified by shading and are critical for safety. Replace only with part number specified.

The symbol indicates a fast operating fuse and is displayed on the component side of the board. Replace only with fuse of the same rating as marked.

Les composants identifiés par un trame et une marque sont critiques pour la sécurité. Ne les remplacer que par une pièce portant le numéro spécifié.

Le symbole indique une fusible à action rapide. Doit être remplacé par une fusible de même valeur, comme marqué.

REFERENCE INFORMATION

RESISTOR

- : RN METAL FILM
- : RC SOLID
- : FPRD NONFLAMMABLE CARBON
- : FUSE NONFLAMMABLE FUSIBLE
- : RW NONFLAMMABLE WIREWOUND
- : RS NONFLAMMABLE METAL OXIDE
- : RB NONFLAMMABLE CEMENT
- : ※ ADJUSTMENT RESISTOR

COIL

- : LF-8L MICRO INDUCTOR

CAPACITOR

- : TA TANTALUM
- : PS STYROL
- : PP POLYPROPYLENE
- : PT MYLAR
- : MPS METALIZED POLYESTER
- : MPP METALIZED POLYPROPYLENE
- : ALB BIPOLAR
- : ALT HIGH TEMPERATURE
- : ALR HIGH RIPPLE

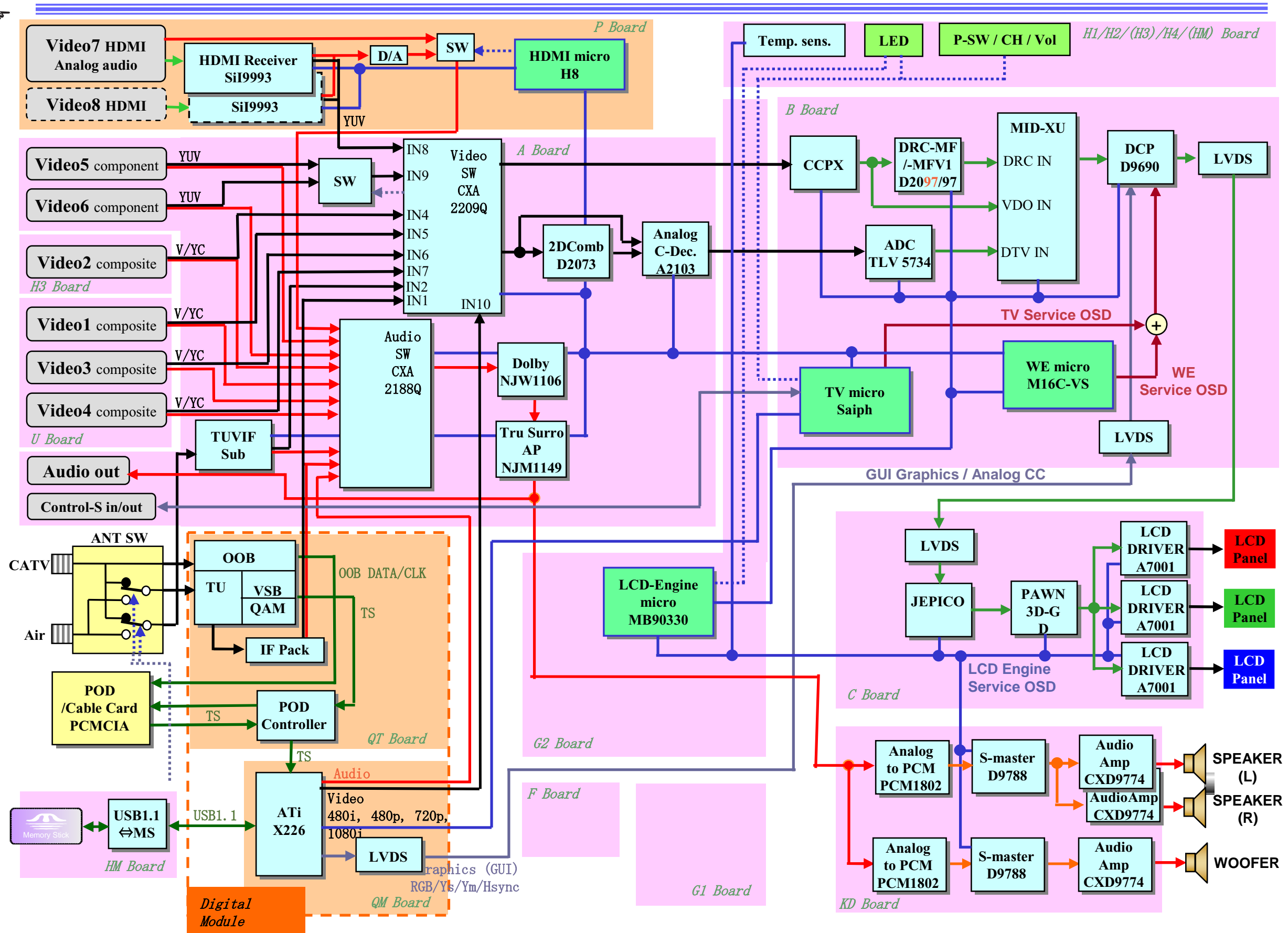
Terminal name of semiconductors in silk screen printed circuit (※)

	Device	Printed symbol	Terminal name	Circuit
①	Transistor		Collector Base Emitter	
②	Transistor		Collector Base Emitter	
③	Diode		Cathode Anode	
④	Diode		Cathode Anode (NC)	
⑤	Diode		Cathode Anode (NC)	
⑥	Diode		Common Anode Cathode	
⑦	Diode		Common Anode Cathode	
⑧	Diode		Common Anode Anode	
⑨	Diode		Common Anode Anode	
⑩	Diode		Common Cathode Cathode	
⑪	Diode		Common Cathode Cathode	
⑫	Diode		Anode Anode Cathode Cathode	
⑬	Transistor (FET)		Drain Source Gate	
⑭	Transistor (FET)		Drain Source Gate	
⑮	Transistor (FET)		Source Drain Gate	
⑯	Transistor		Emitter Collector Base	
⑰	Transistor		C2 B1 E1 E2 B2 C1	
⑱	Transistor		C1 B2 E2 E1 B1 C2	
⑲	Transistor		C1 B2 E2 E1 B1 C2	
⑳	Transistor		C1 B2 E2 E1 B1 C2	
㉑	Transistor		E2 B1 E1 C2 C1(B2)	
㉒	Transistor		(B2) B1 E1 E2 C1 C2	
㉓	Transistor		(B2) E2 E1 B1 C2 C1	
—	Discrete semiconductor			

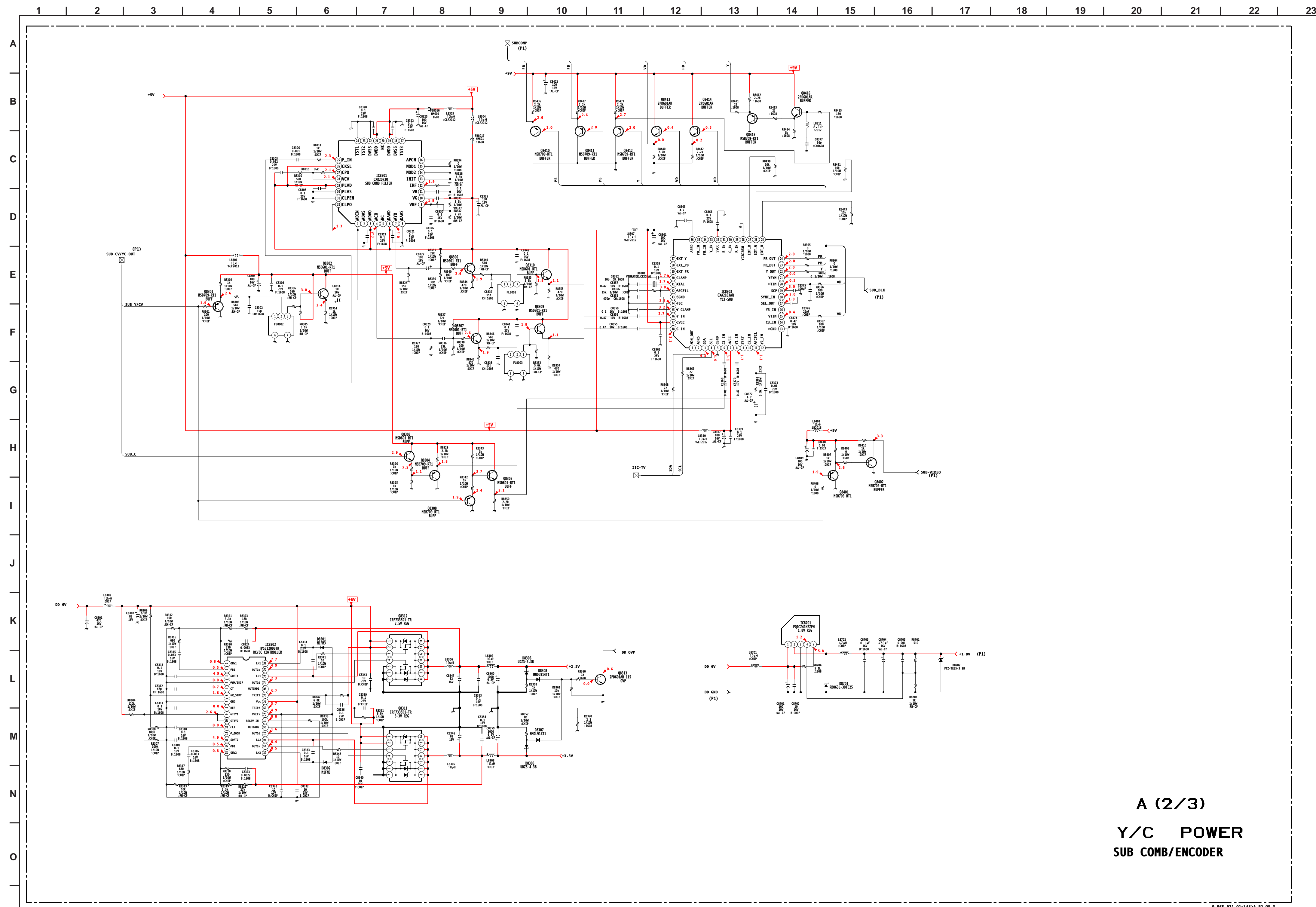
(Chip semiconductors that are not actually used are included.)

Ver.1.5

3-3. BLOCK DIAGRAMS



A BOARD SCHEMATIC DIAGRAM (2 OF 3)



A (2/3)
Y/C POWER
SUB COMB/ENCODER



[TERMINAL BLOCK, TUNER, Y/C POWER, SUB COMB/ENCODER, AUDIO]

COMPONENT SIDE

A BOARD LOCATOR LIST COMPONENT SIDE

DIODE		IC		TRANSISTOR	
D8200	D-2	IC8001	F-5	Q8003	H-1
D8301	H-2	IC8002	F-2	Q8004	H-1
D8302	H-3	IC8200	C-1	Q8005	H-2
D8501	B-3	IC8220	B-3	Q8006	H-1
D8701	H-8	IC8301	B-5	Q8007	H-1
D8702	H-9	IC8302	H-2	Q8008	F-5
		IC8303	D-4	Q8009	F-5
		IC8502	F-2	Q8010	G-4
		IC8504	B-1	Q8204	D-1
		IC8505	G-3	Q8301	C-4
		IC8506	A-4	Q8302	C-5
		IC8701	H-9	Q8305	C-4
				Q8306	C-6
				Q8307	C-6
				Q8308	D-4
				Q8309	D-4
				Q8310	D-5
				Q8311	H-3
				Q8312	H-2
				Q8401	H-9
				Q8402	H-9
				Q8410	E-3
				Q8411	E-3
				Q8412	E-3
				Q8413	E-3
				Q8414	E-3



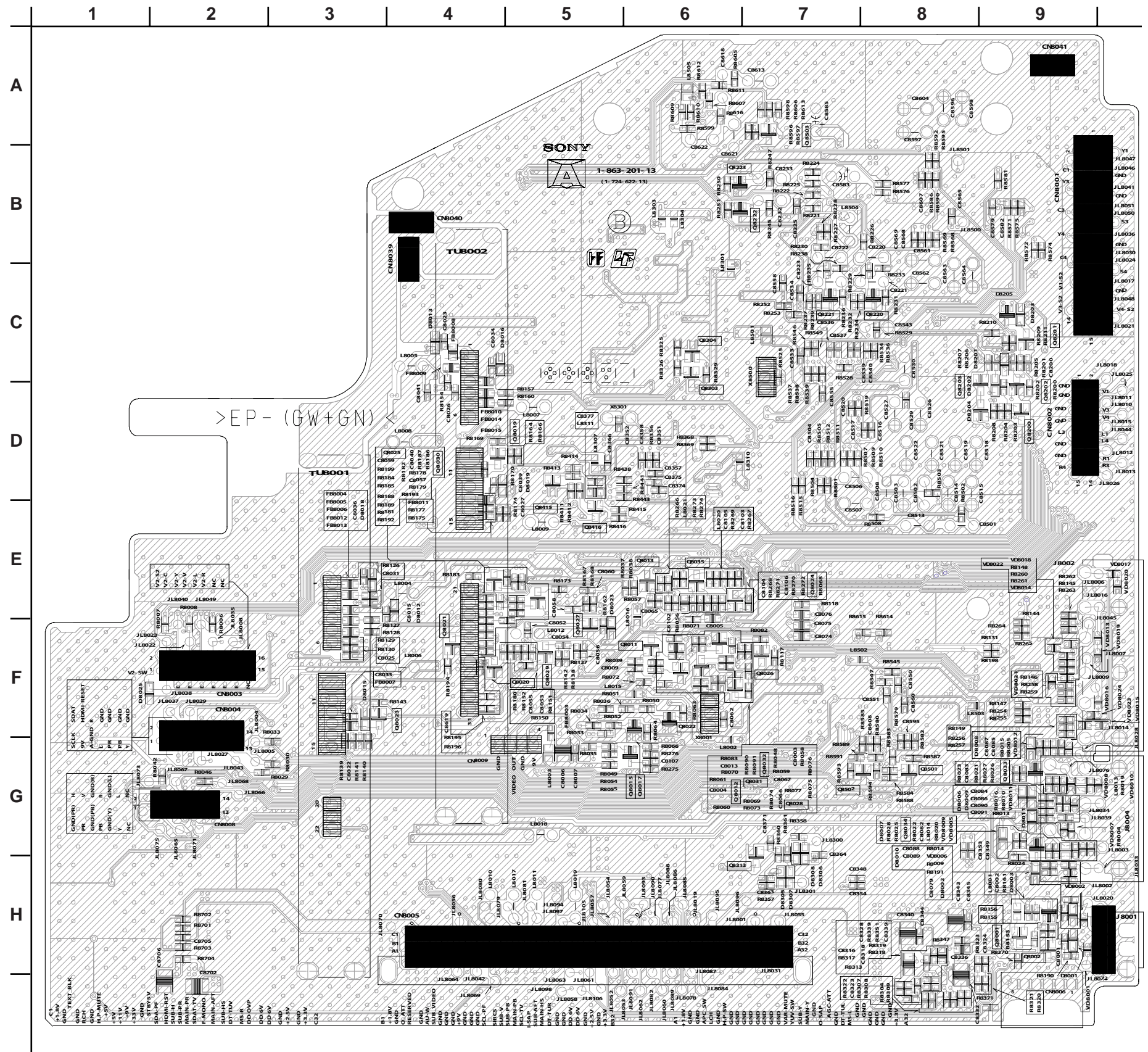


[TERMINAL BLOCK, TUNER, Y/C POWER, SUB COMB/ENCODER, AUDIO]

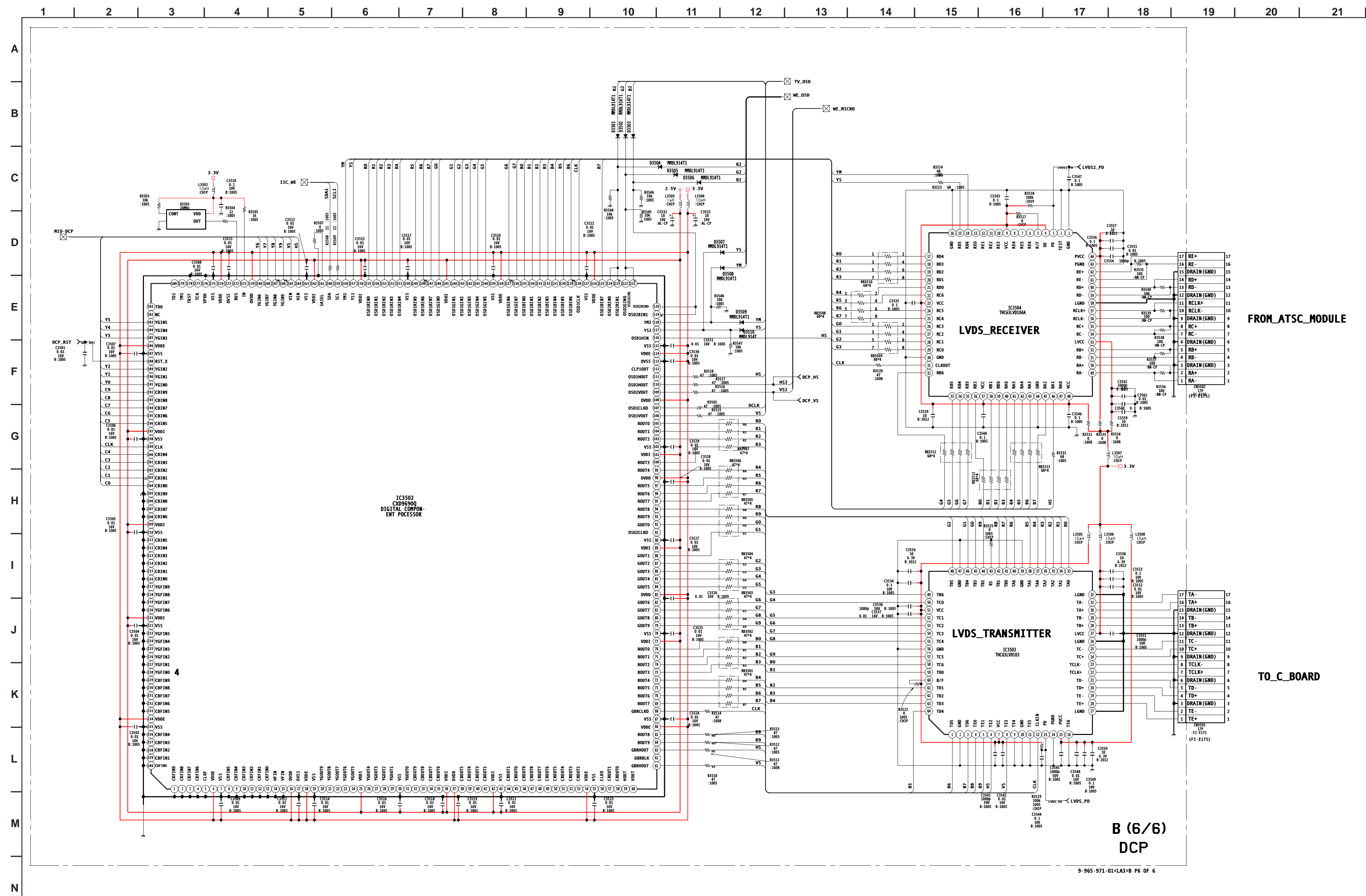
CONDUCTOR SIDE

A BOARD LOCATOR LIST CONDUCTOR SIDE

DIODE		TRANSISTOR	
D8001	H-9	Q8001	H-9
D8002	H-9	Q8002	H-9
D8003	H-9	Q8011	F-6
D8006	G-8	Q8012	G-6
D8007	G-8	Q8013	E-6
D8008	G-9	Q8015	G-6
D8009	G-8	Q8017	G-6
D8010	H-8	Q8022	F-6
D8011	G-9	Q8023	F-4
D8023	E-5	Q8024	E-7
D8201	C-8	Q8026	F-7
D8202	C-8	Q8027	F-5
D8203	C-9	Q8028	G-7
D8204	D-8	Q8029	F-5
D8205	C-9	Q8030	D-4
D8305	H-7	Q8031	G-7
D8306	H-7	Q8032	G-7
D8307	H-7	Q8033	G-9
D8308	H-7	Q8034	G-8
		Q8200	D-9
		Q8201	C-9
		Q8202	D-9
		Q8203	C-8
		Q8220	C-8
		Q8221	C-7
		Q8222	B-7
		Q8223	B-6
		Q8303	D-6
		Q8304	C-6
		Q8313	H-6
		Q8415	E-5
		Q8416	E-5
		Q8501	G-8
		Q8502	G-7
		Q8503	A-7



B BOARD SCHEMATIC DIAGRAM (6 OF 6)



FROM_ATSC_MODULE

TO_C_BOARD

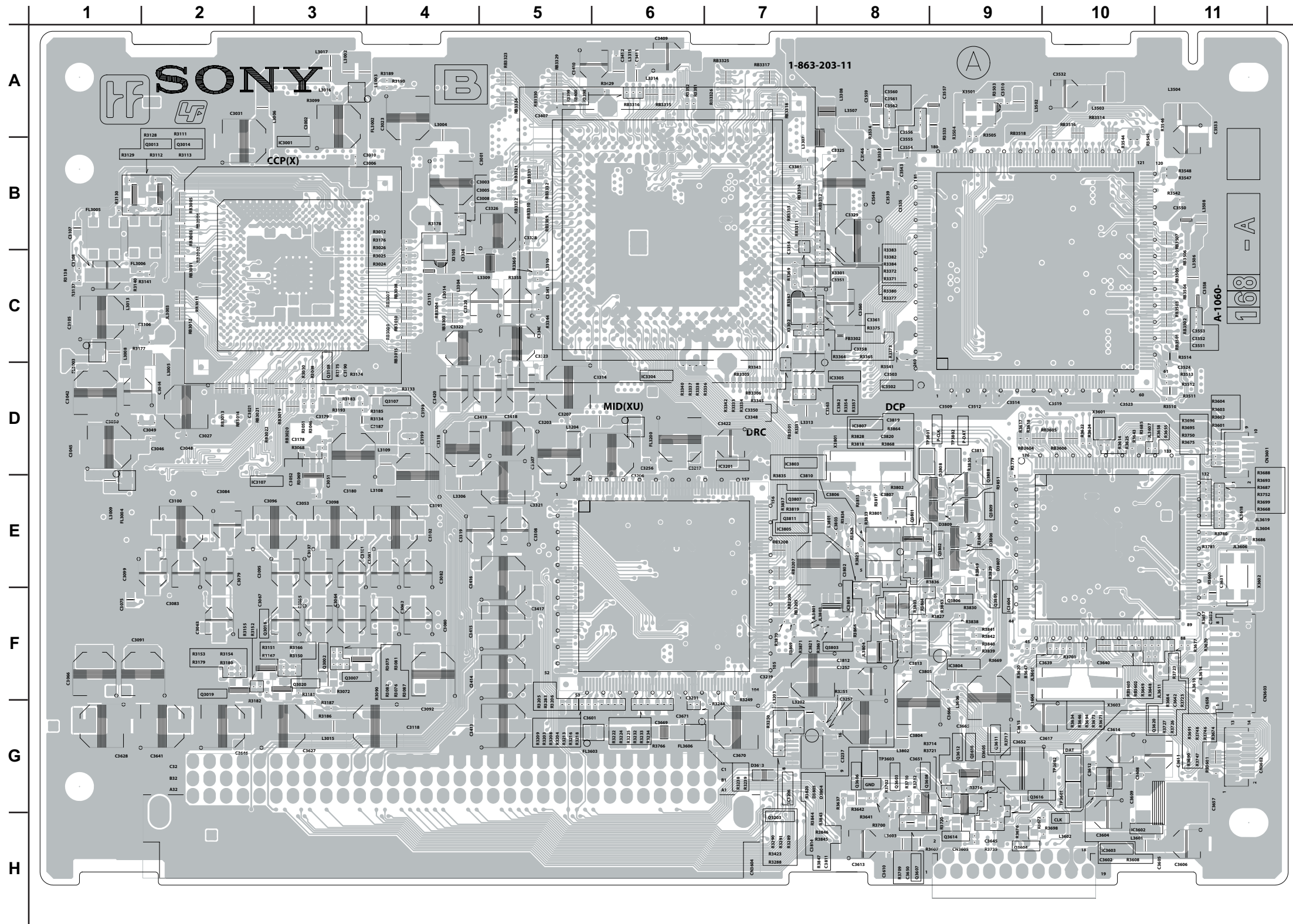
B (6/6)
DCP

9-965-971-01-1A3-B P6 OF 6

B

[SAIPH (TV MICRO) CONNECTOR I/F, CCPX, DRC-MF (V1), MID-XU, M16C (WE MICRO), DCP]

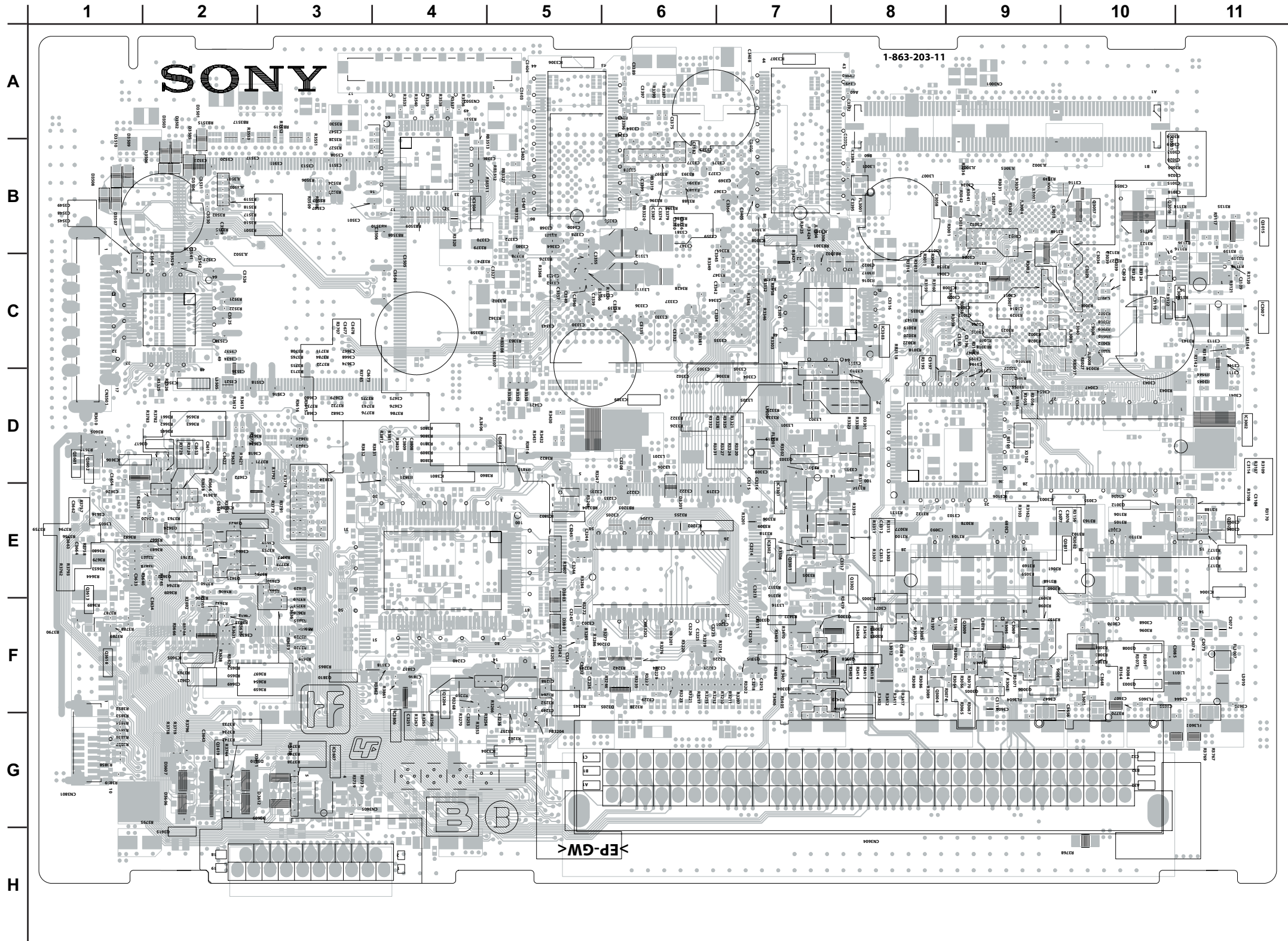
COMPONENT SIDE



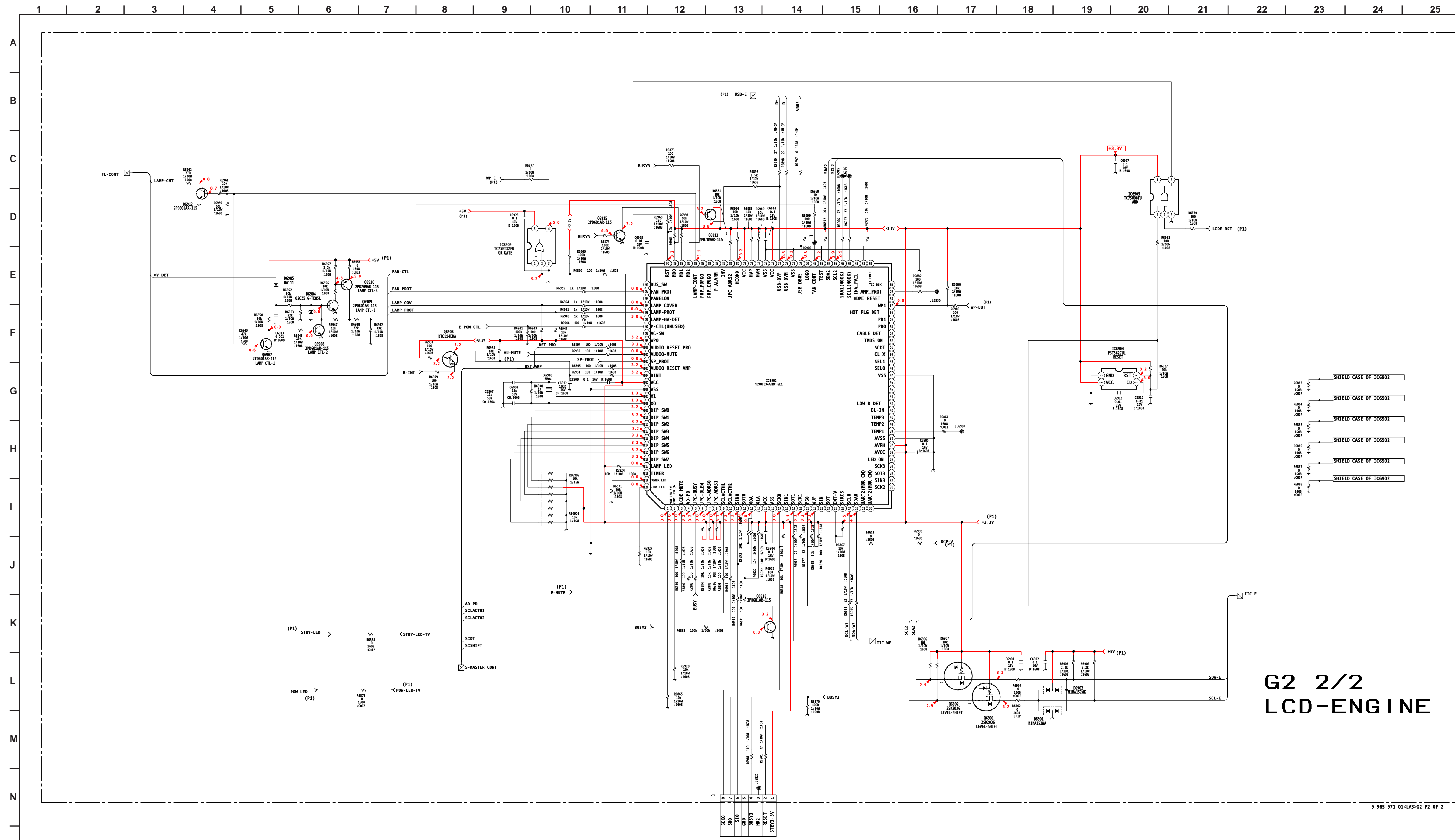
B

[SAIPH (TV MICRO) CONNECTOR I/F, CCPX, DRC-MF (V1), MID-XU, M16C (WE MICRO), DCP]

CONDUCTOR SIDE



G2 BOARD SCHEMATIC DIAGRAM (2 OF 2)



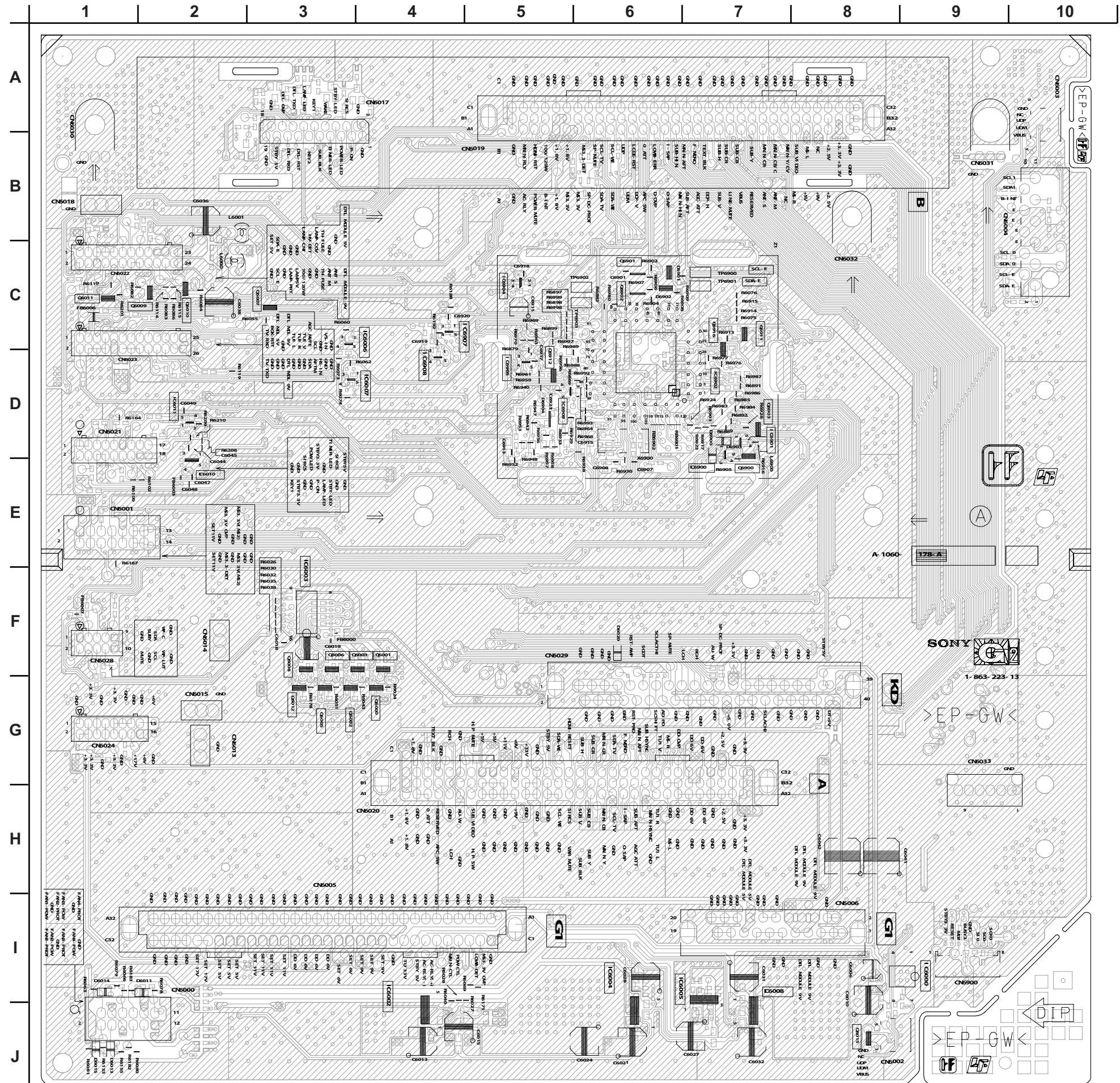
G2 2/2 LCD-ENGINE

9-965-971-01(LA3)G2 P2 OF 2

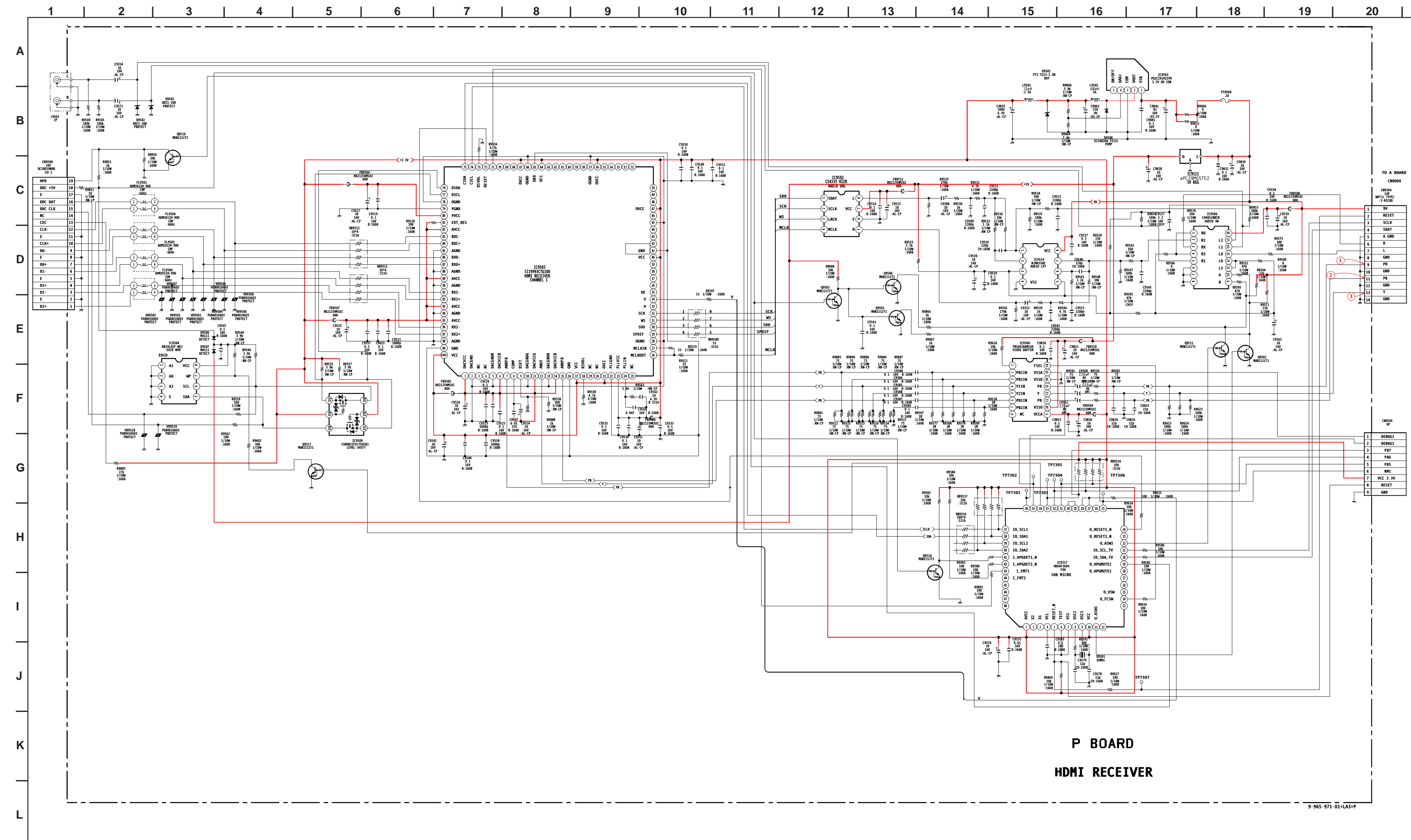
G2 [MAIN I/F, LCD-ENGINE]
COMPONENT SIDE

G2 BOARD LOCATOR LIST COMPONENT SIDE

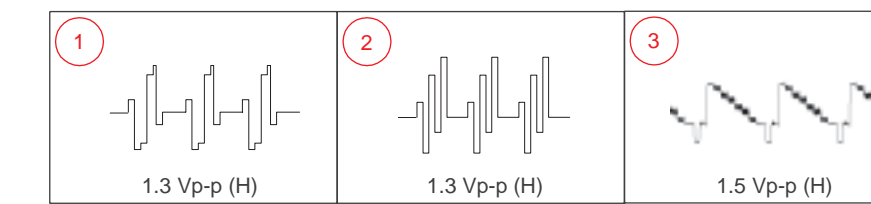
DIODE		IC		TRANSISTOR	
D6011	I-2	IC6002	I-4	Q6000	G-4
D6013	J-1	IC6003	F-3	Q6001	F-4
D6014	I-1	IC6004	I-6	Q6002	G-4
D6015	J-1	IC6005	I-7	Q6003	F-4
D6020	F-6	IC6006	C-4	Q6005	G-3
D6901	C-7	IC6007	D-4	Q6006	F-3
D6902	C-6	IC6008	I-7	Q6007	C-3
D6904	D-5	IC6010	E-2	Q6008	F-3
		IC6011	D-2	Q6009	C-2
		IC6902	D-7	Q6010	C-2
		IC6904	C-5	Q6011	C-11
		IC6905	D-5	Q6015	J-8
		IC6907	C-4	Q6901	C-6
		IC6908	D-4	Q6902	C-6
		IC6909	D-5	Q6912	D-5
				Q6916	C-7



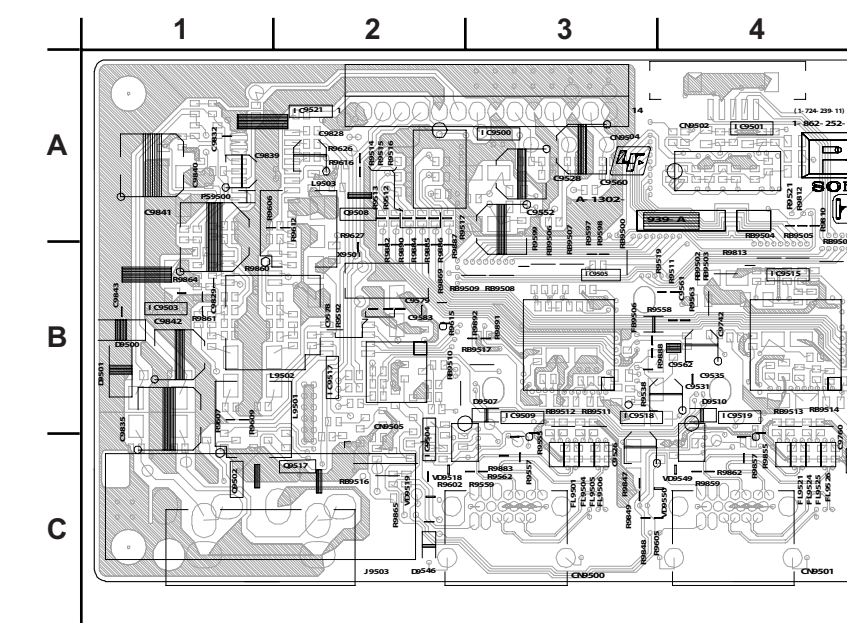
P BOARD SCHEMATIC DIAGRAM



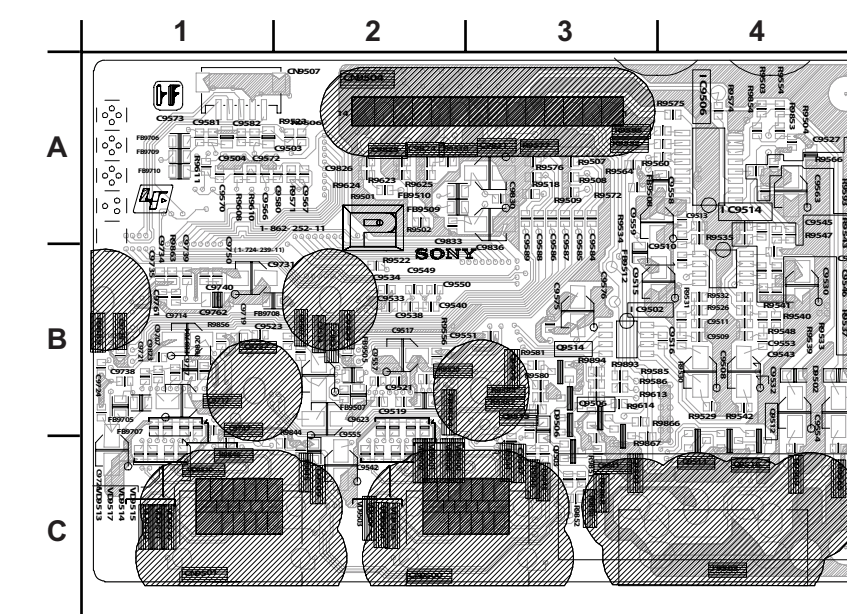
P BFOARD WAVEFORMS



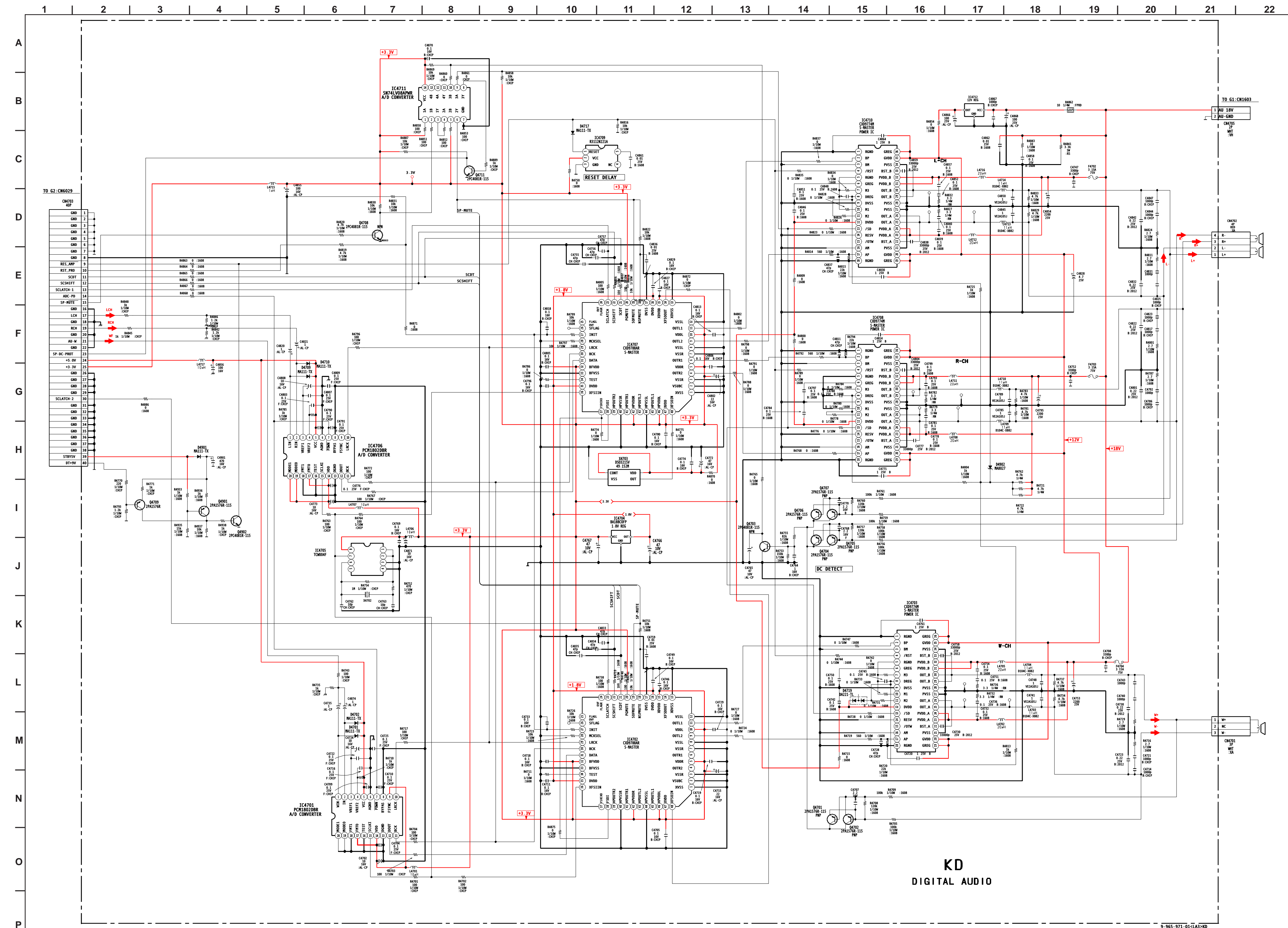
P [HDMI RECEIVER]
COMPONENT SIDE



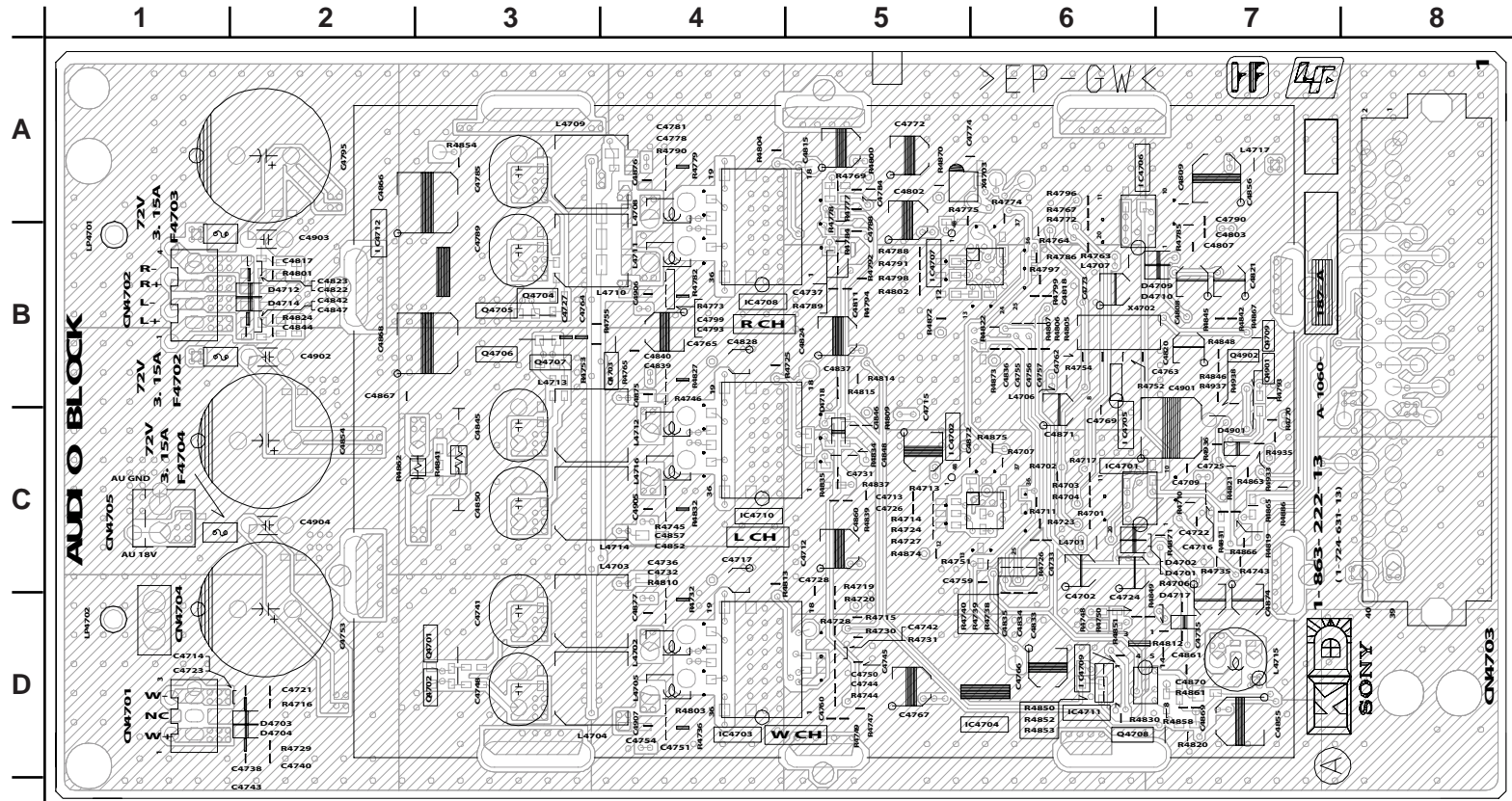
P [HDMI RECEIVER]
CONDUCTOR SIDE



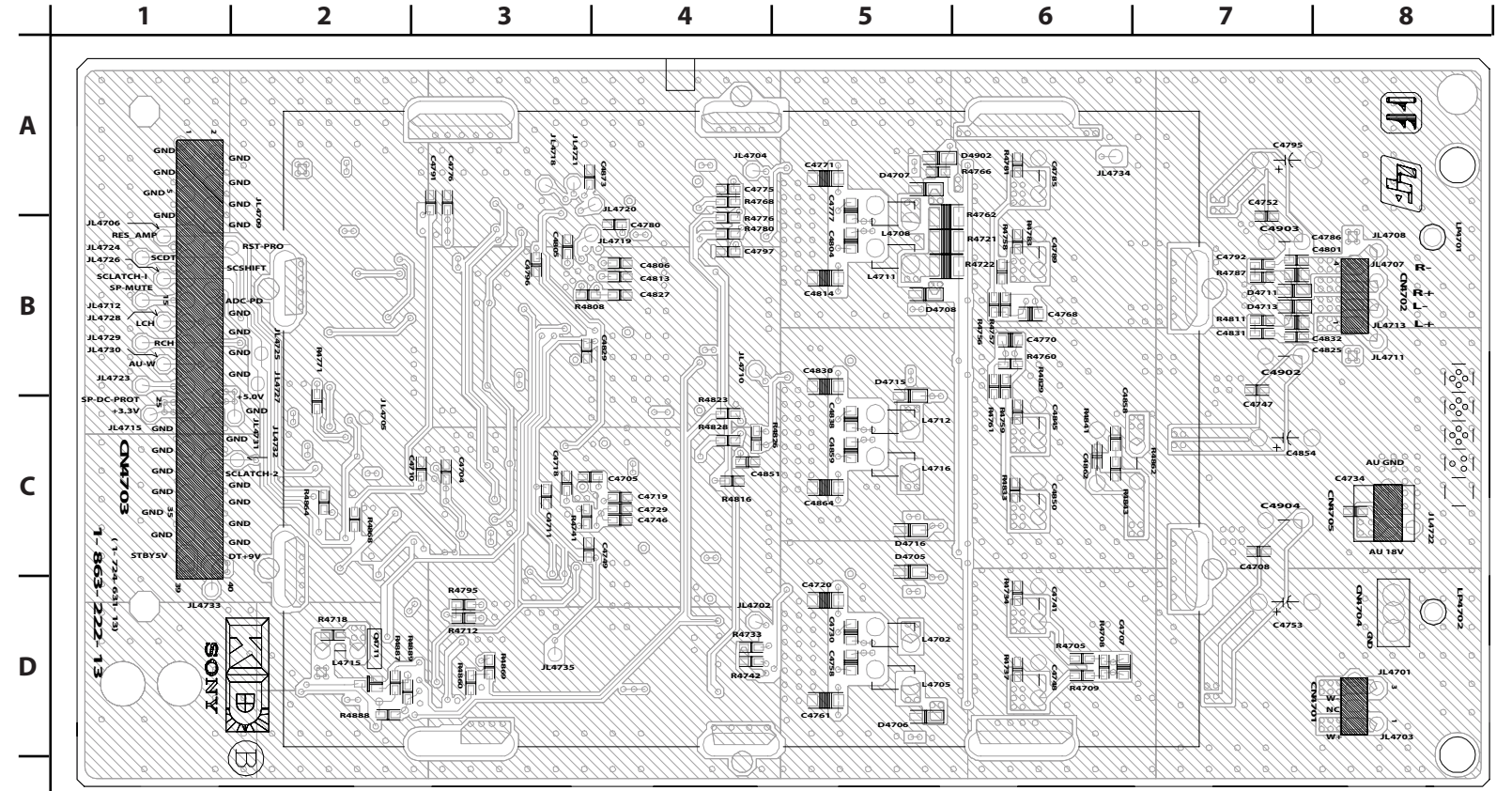
KD BOARD SCHEMATIC DIAGRAM



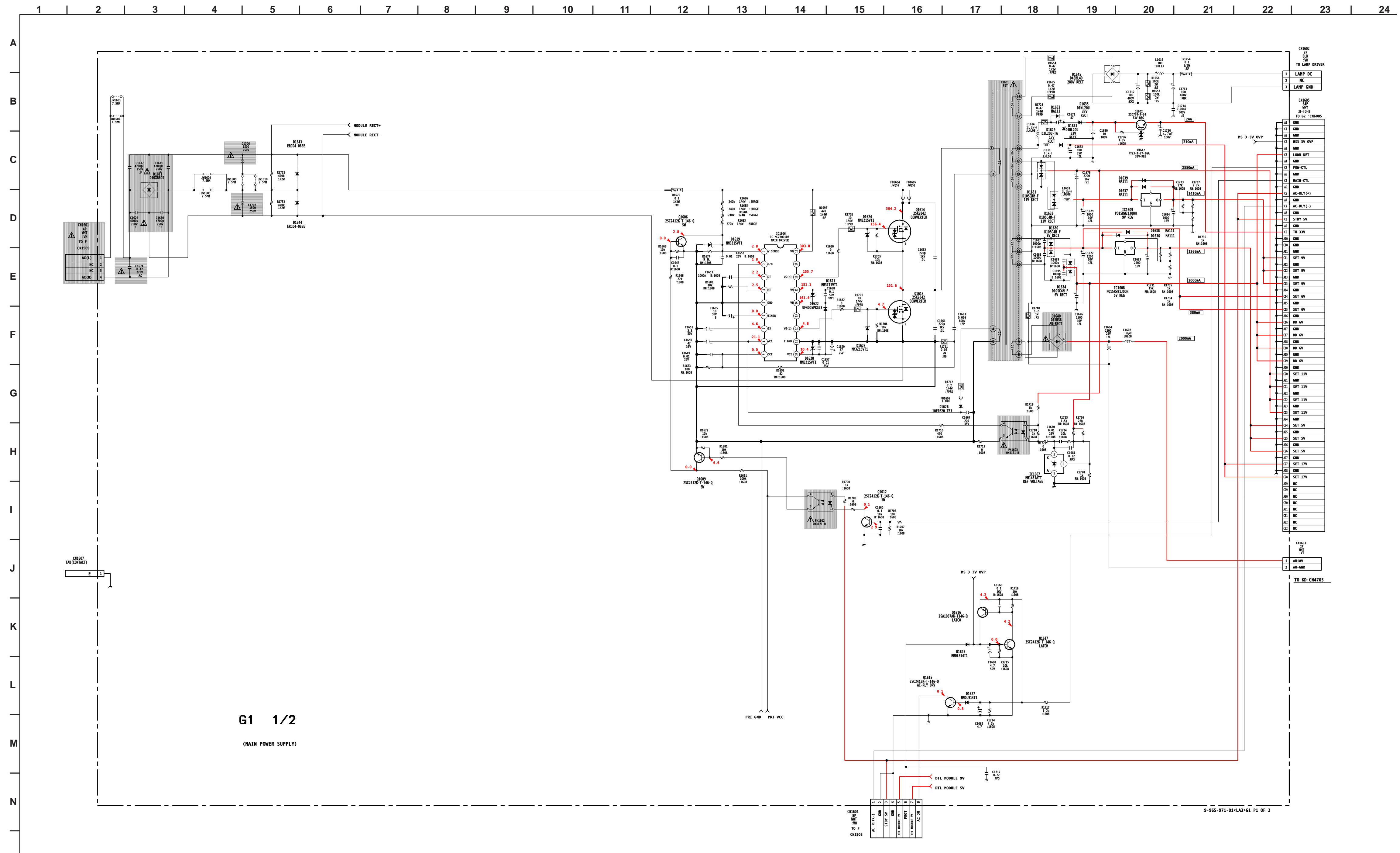
KD [DIGITAL AUDIO]
CONDUCTOR SIDE



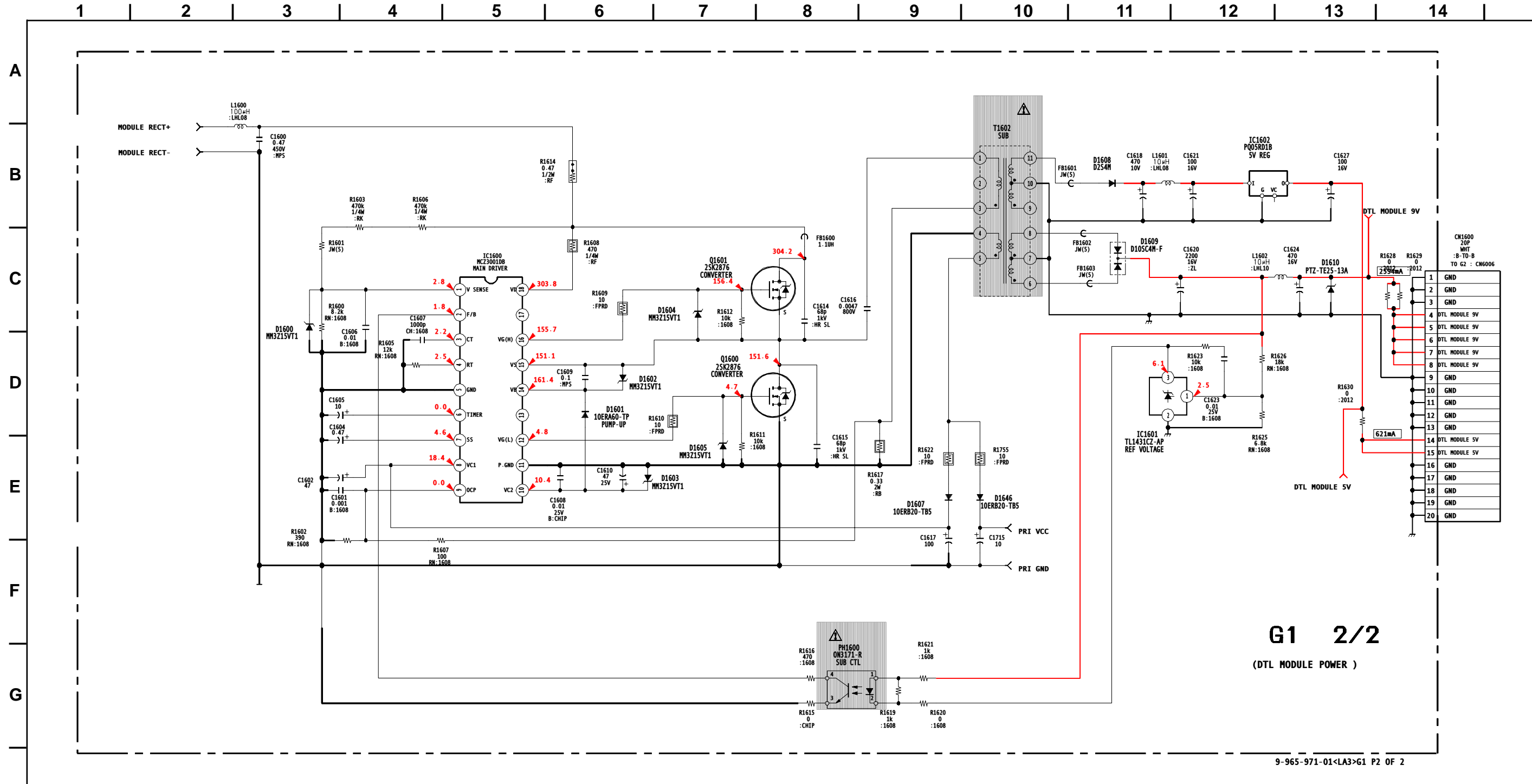
KD [DIGITAL AUDIO]
CONDUCTOR SIDE



G1 BOARD SCHEMATIC DIAGRAM (1 OF 2)



G1 BOARD SCHEMATIC DIAGRAM (2 OF 2)



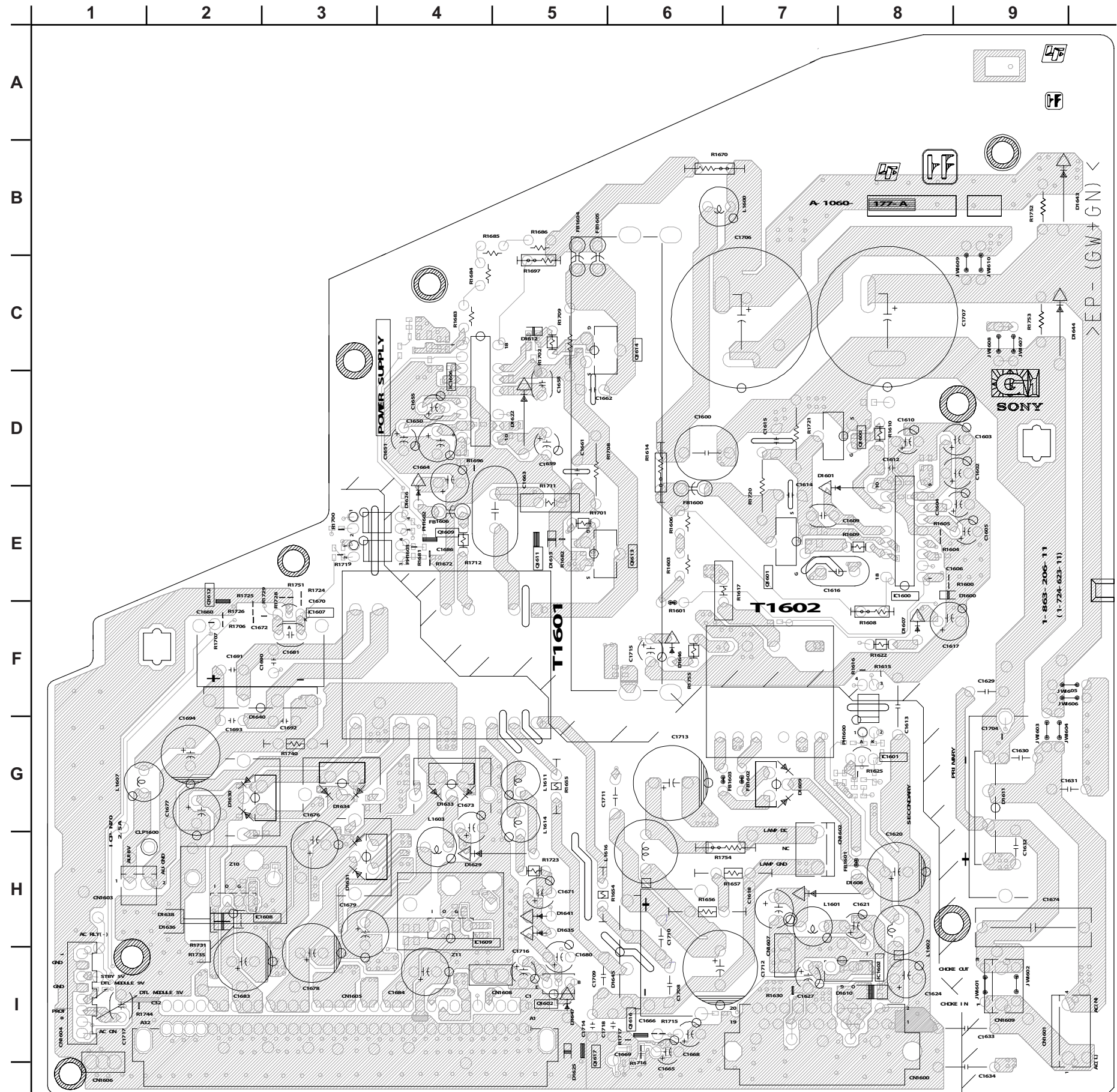
G1 2/2
(DTL MODULE POWER)

9-965-971-01<LA3>G1 P2 OF 2

G1 [MAIN POWER SUPPLY, DTL MODULE POWER]
COMPONENT SIDE

G1 BOARD LOCATOR LIST COMPONENT SIDE

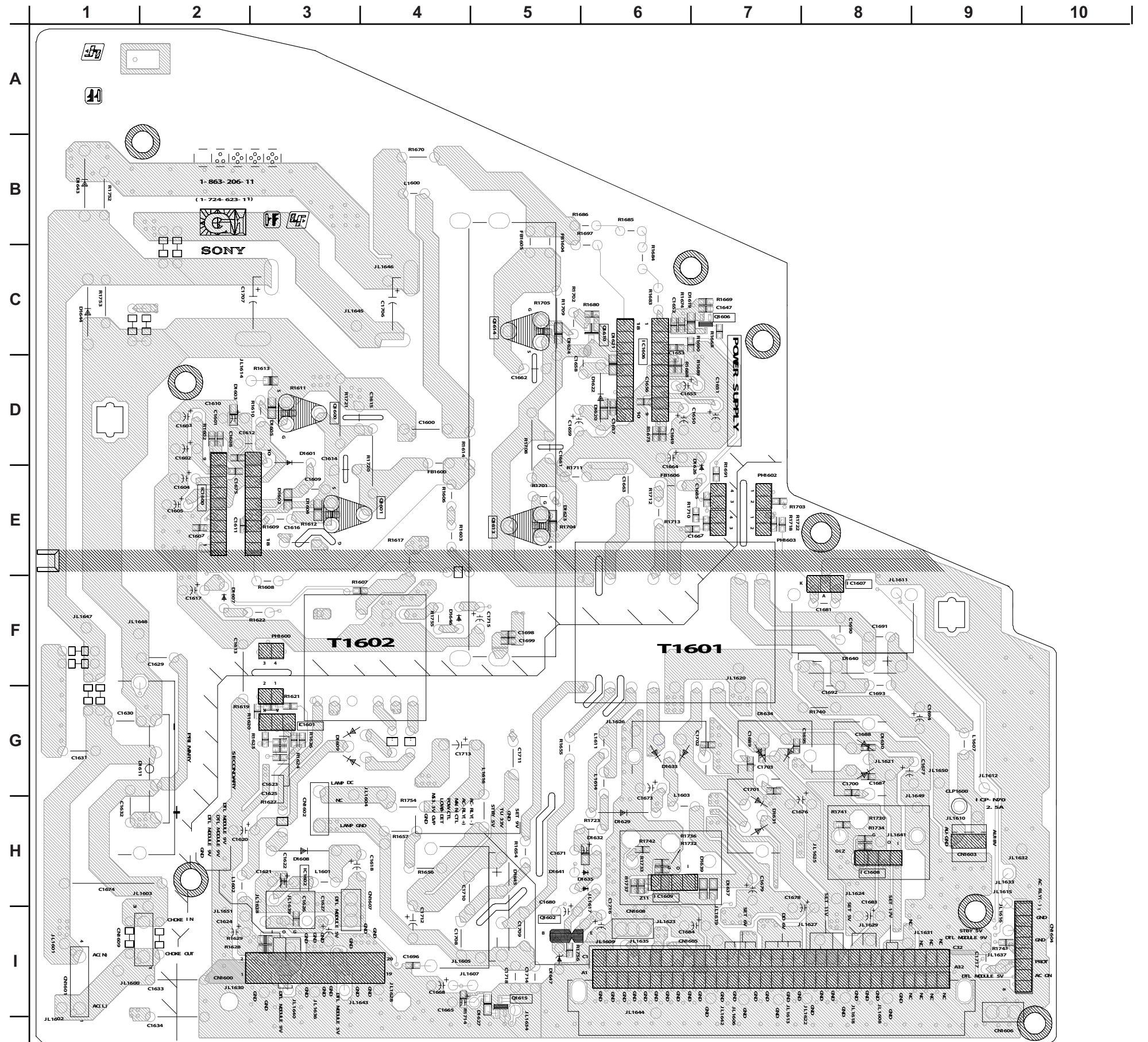
DIODE		IC		TRANSISTOR	
D1600	E-9	IC1600	E-8	Q1600	D-8
D1601	D-7	IC1601	G-8	Q1601	E-7
D1607	F-8	IC1602	I-8	Q1602	I-5
D1608	H-8	IC1606	D-4	Q1609	E-4
D1609	G-7	IC1607	F-3	Q1612	E-2
D1610	I-8	IC1608	H-3	Q1613	E-6
D1611	G-9	IC1609	H-5	Q1614	C-6
D1622	D-5			Q1616	I-6
D1625	I-5			Q1617	I-6
D1626	E-4				
D1629	H-5				
D1630	G-2				
D1631	H-3				
D1633	G-4				
D1634	G-3				
D1635	H-5				
D1636	H-2				
D1638	H-2				
D1640	G-2				
D1641	H-5				
D1643	B-9				
D1644	C-9				
D1645	I-6				
D1646	F-6				
D1647	I-5				



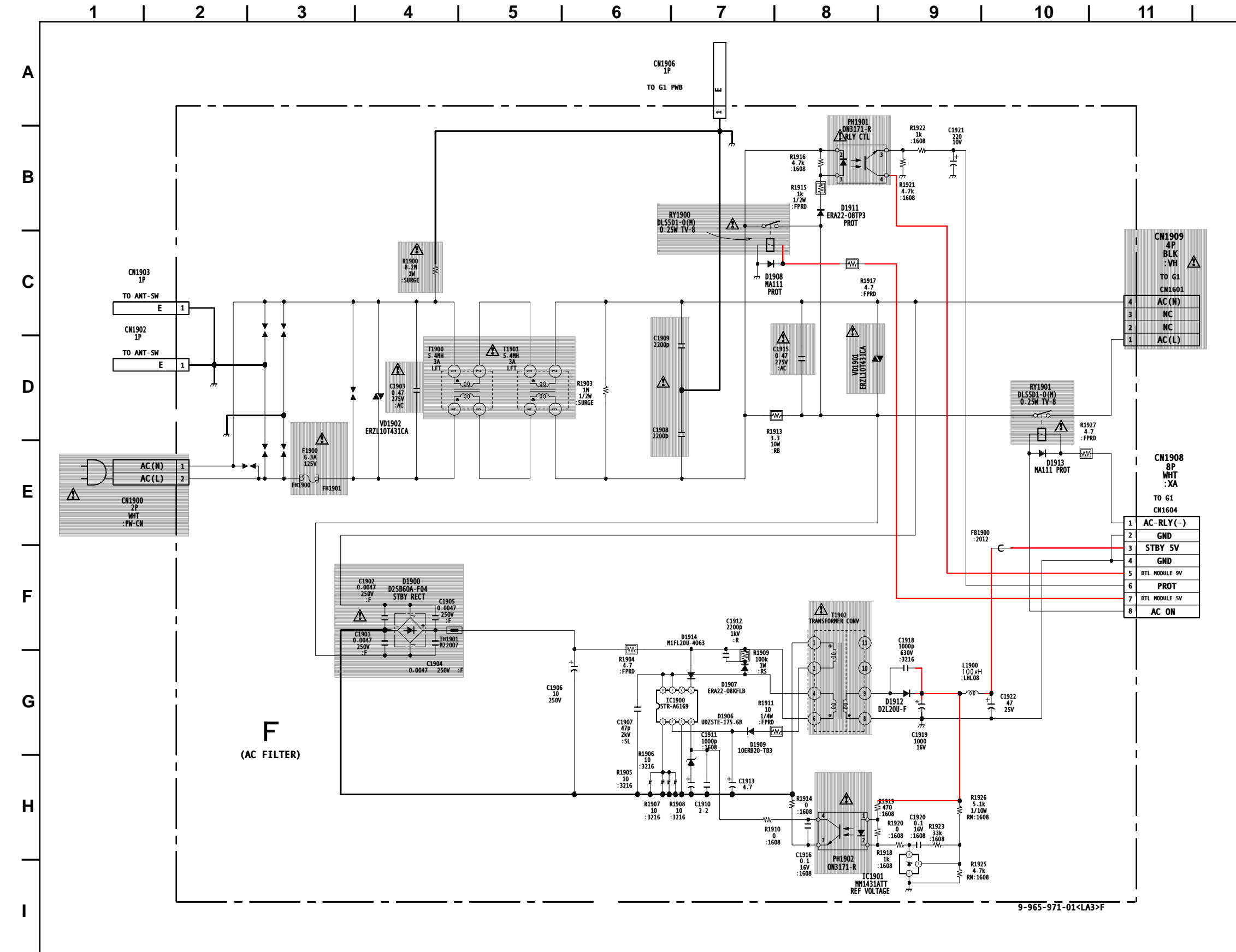
G1 [MAIN POWER SUPPLY, DTL MODULE POWER]
CONDUCTOR SIDE

G1 BOARD LOCATOR LIST CONDUCTOR SIDE

DIODE		IC		TRANSISTOR	
D1601	D-3	IC1600	E-2	Q1600	D-3
D1602	E-3	IC1601	G-3	Q1601	E-4
D1603	D-2	IC1602	H-3	Q1602	I-5
D1604	E-3	IC1606	C-7	Q1606	C-7
D1605	D-3	IC1607	H-7	Q1613	E-5
D1607	F-2	IC1608	H-7	Q1614	C-5
D1608	H-3	IC1609	H-6	Q1615	I-6
D1609	G-3				
D1611	G-2				
D1619	C-6				
D1620	D-6				
D1621	C-6				
D1622	D-6				
D1623	E-5				
D1624	C-5				
D1626	D-7				
D1627	I-5				
D1629	H-6				
D1630	G-8				
D1631	H-7				
D1632	H-6				
D1633	G-6				
D1634	G-7				
D1635	H-6				
D1637	H-7				
D1639	H-7				
D1640	H-8				
D1641	H-5				
D1643	B-1				
D1645	H-5				
D1646	F-4				
D1647	I-5				



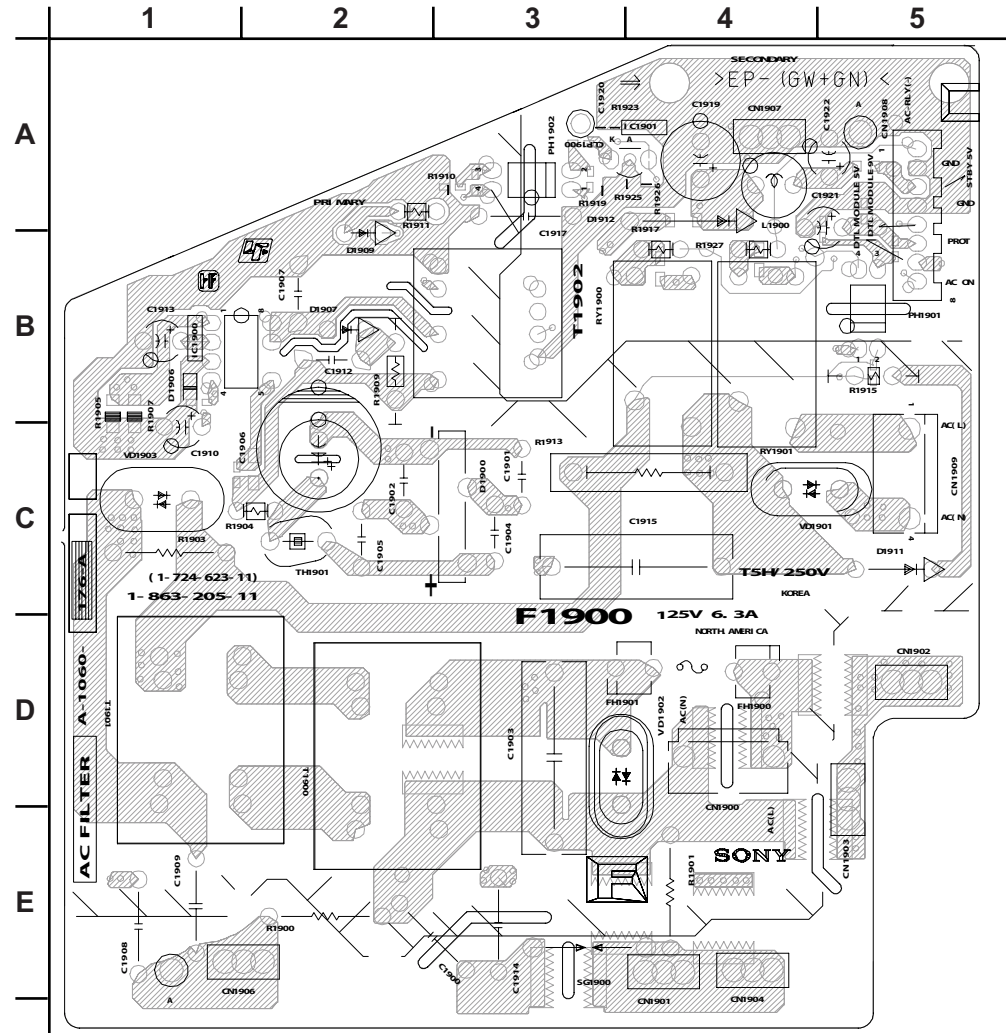
F BOARD SCHEMATIC DIAGRAM



9-965-971-01<LA3>F

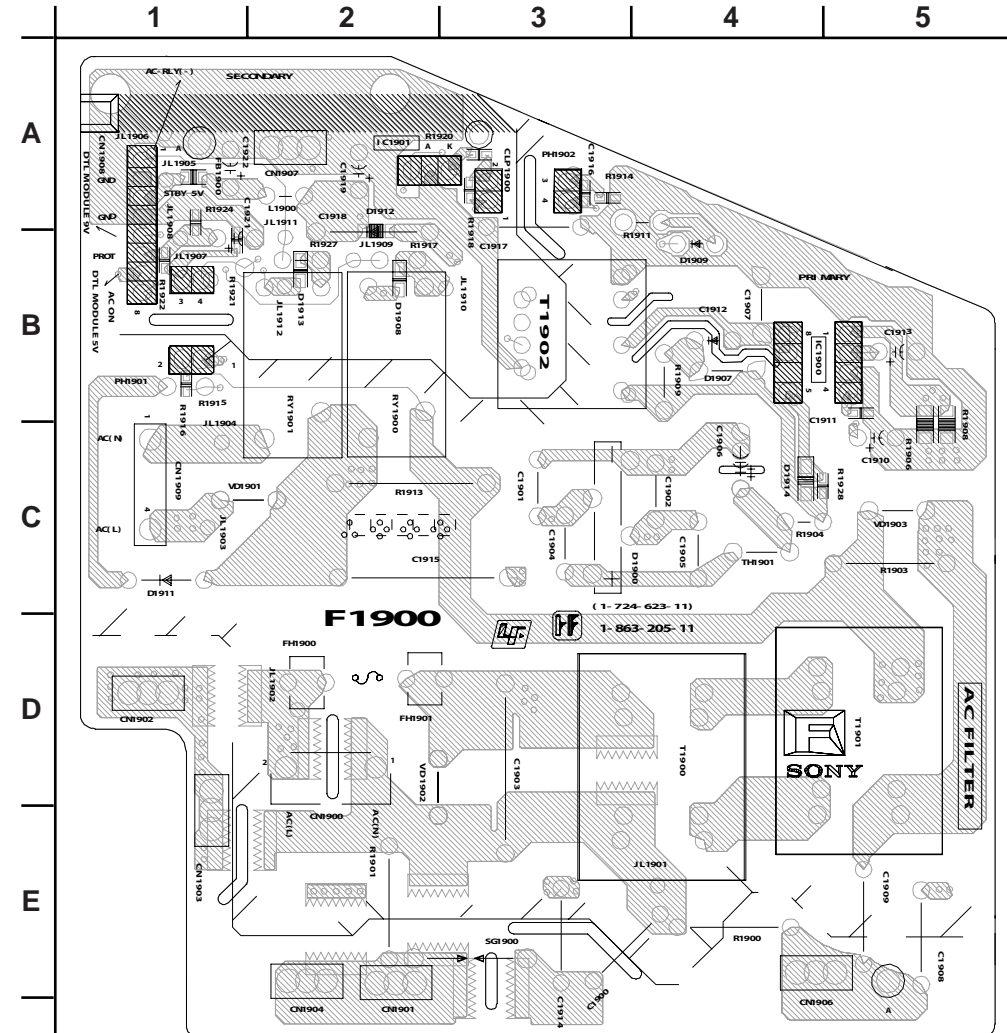
F [AC FILTER]

COMPONENT SIDE

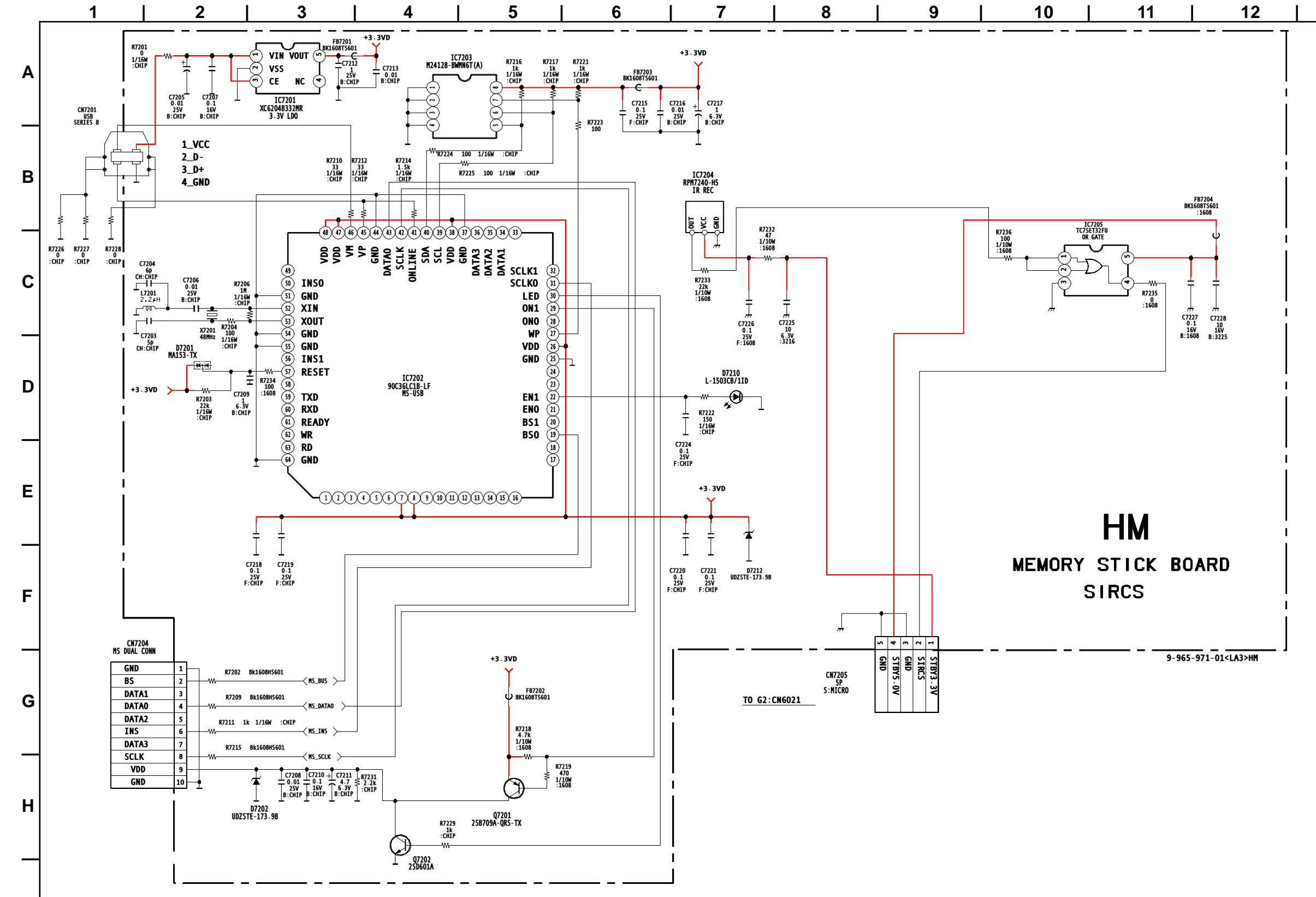


F [AC FILTER]

CONDUCTOR SIDE



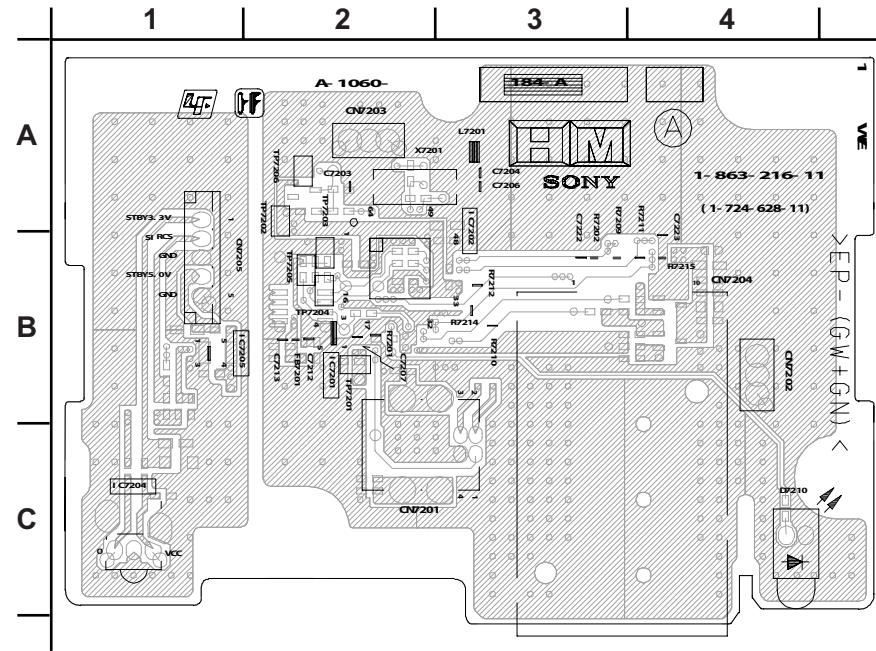
HM BOARD SCHEMATIC DIAGRAM



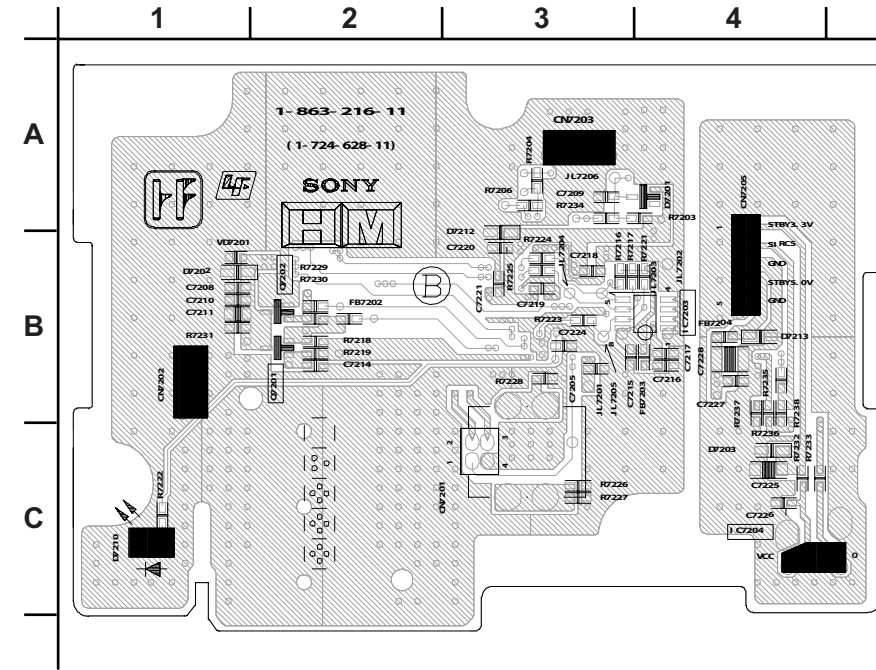
HM
MEMORY STICK BOARD
SIRCS

9-965-971-01<LA3>HM

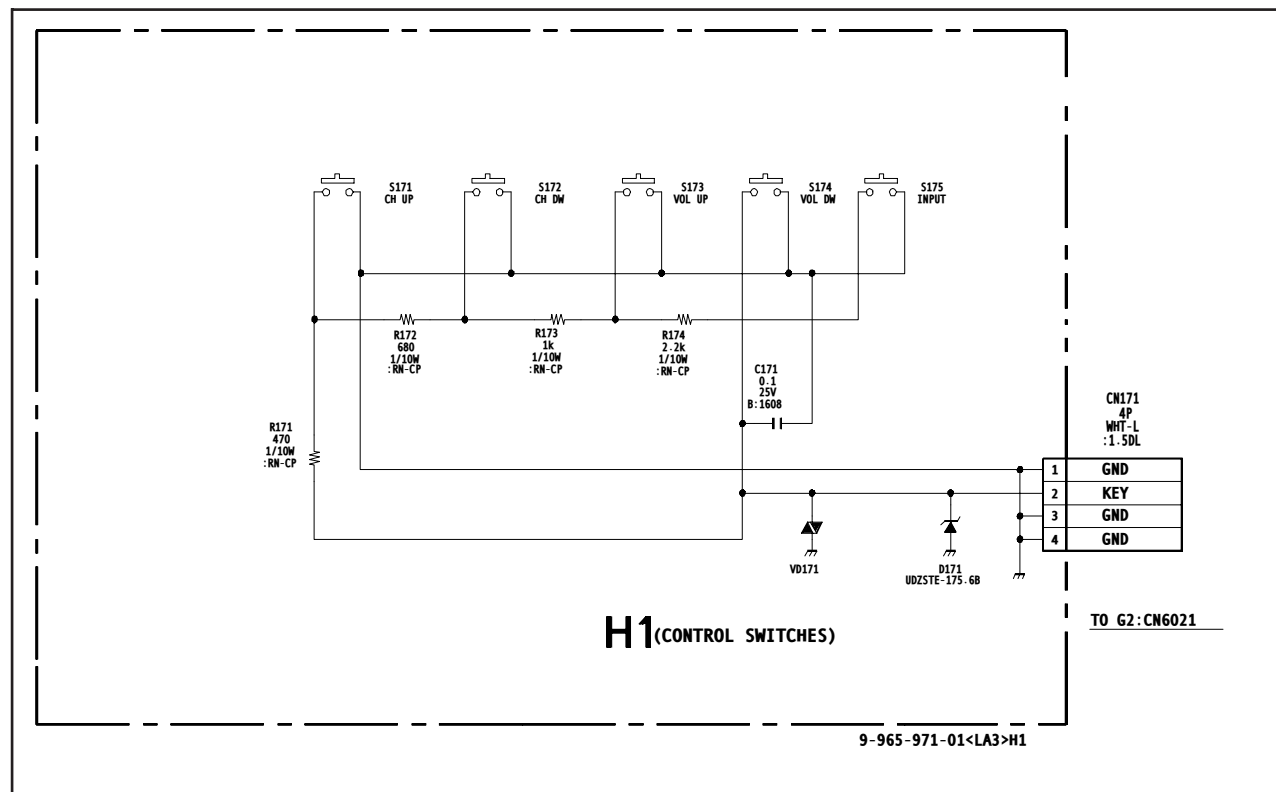
HM [MEMORY STICK BOARD, SIRCS]
COMPONENT SIDE



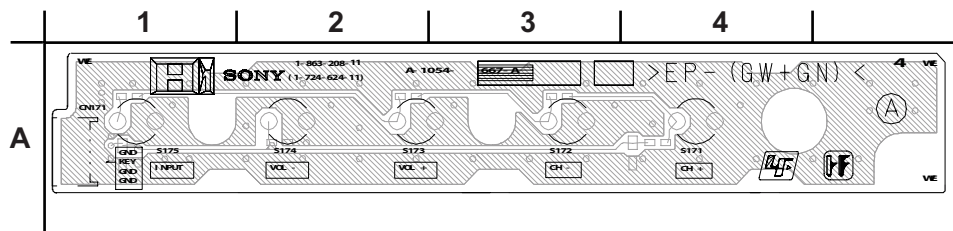
HM [MEMORY STICK BOARD, SIRCS]
CONDUCTOR SIDE



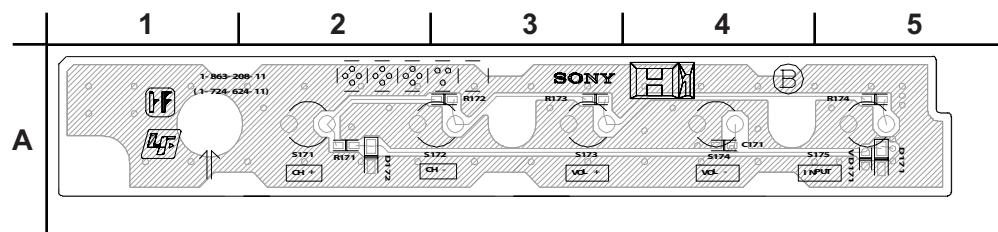
H1 BOARD SCHEMATIC DIAGRAM



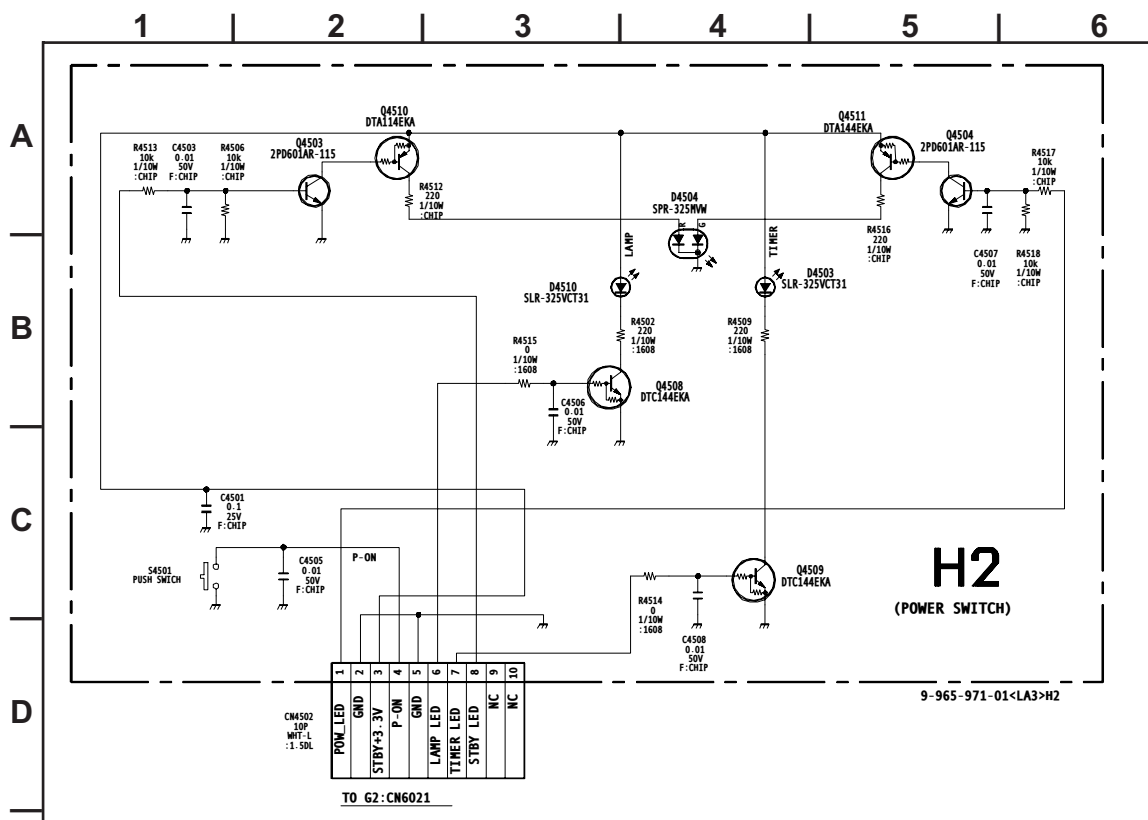
H1 [CONTROL SWITCHES]
COMPONENT SIDE



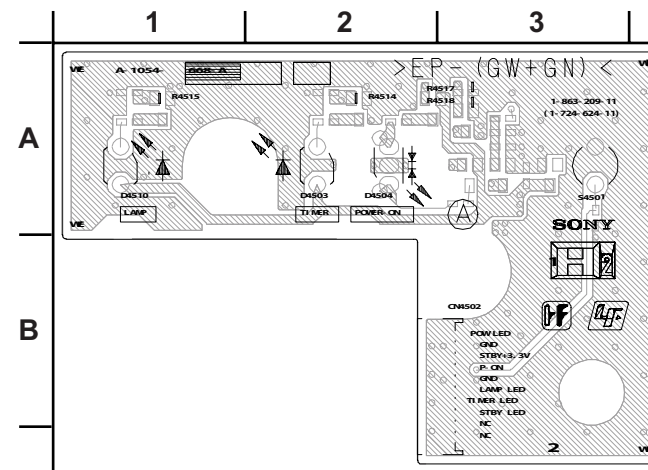
H1 [CONTROL SWITCHES]
CONDUCTOR SIDE



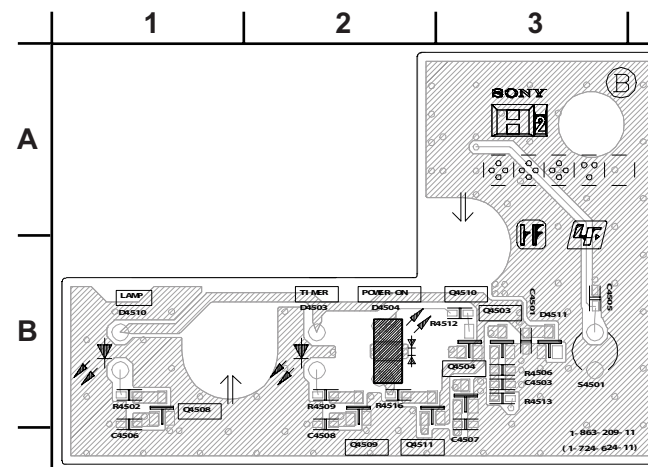
H2 BOARD SCHEMATIC DIAGRAM



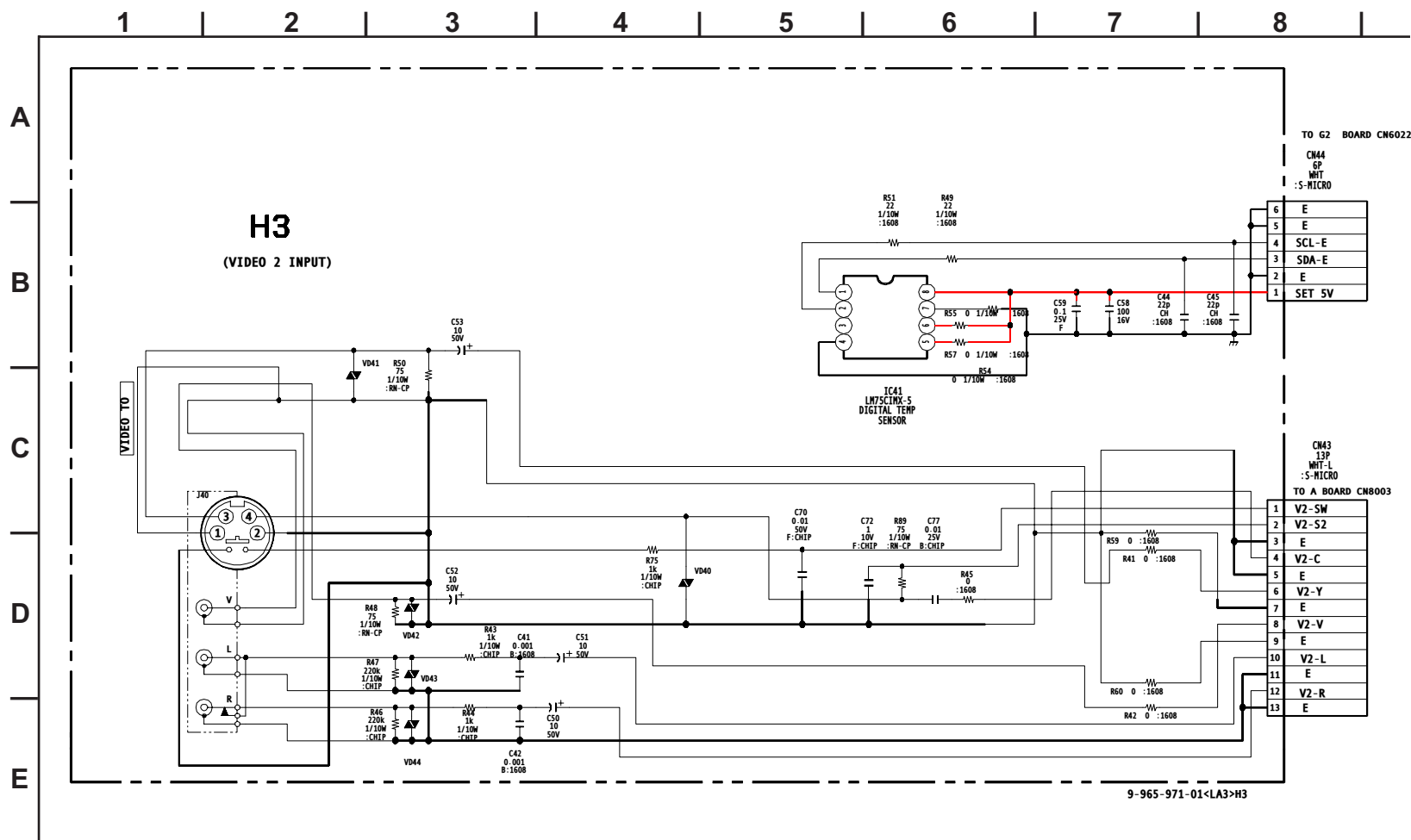
H2 [POWER SWITCH] COMPONENT SIDE



H2 [POWER SWITCH] CONDUCTOR SIDE

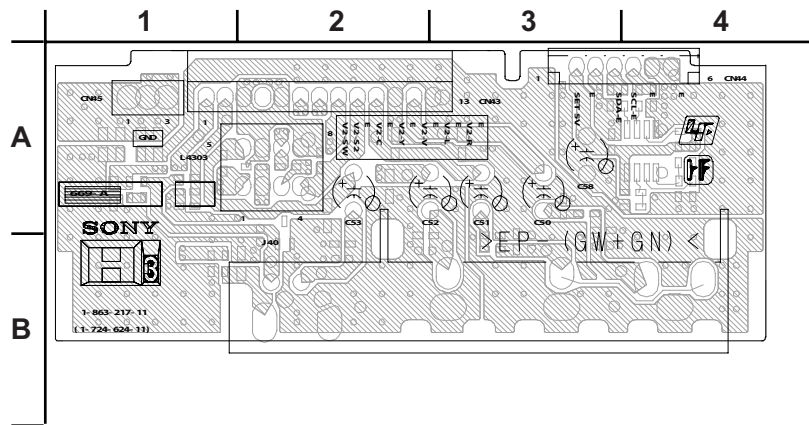


H3 BOARD SCHEMATIC DIAGRAM

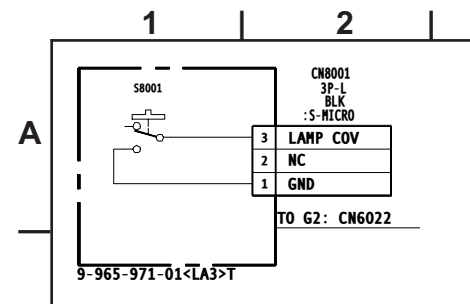


H3 [VIDEO 2 INPUT]

COMPONENT SIDE

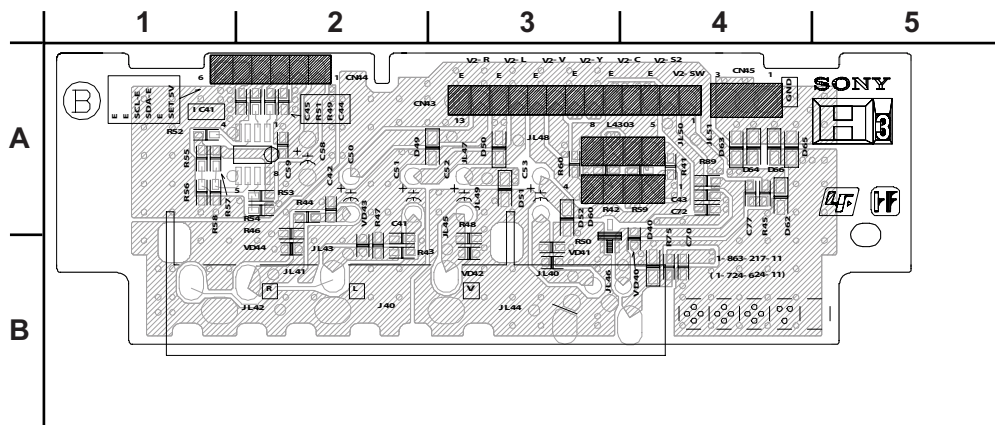


T BOARD SCHEMATIC DIAGRAM



H3 [VIDEO 2 INPUT]

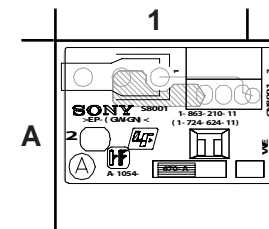
CONDUCTOR SIDE



T

[LAMP DOOR SWITCH]

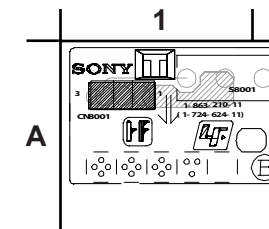
COMPONENT SIDE



T

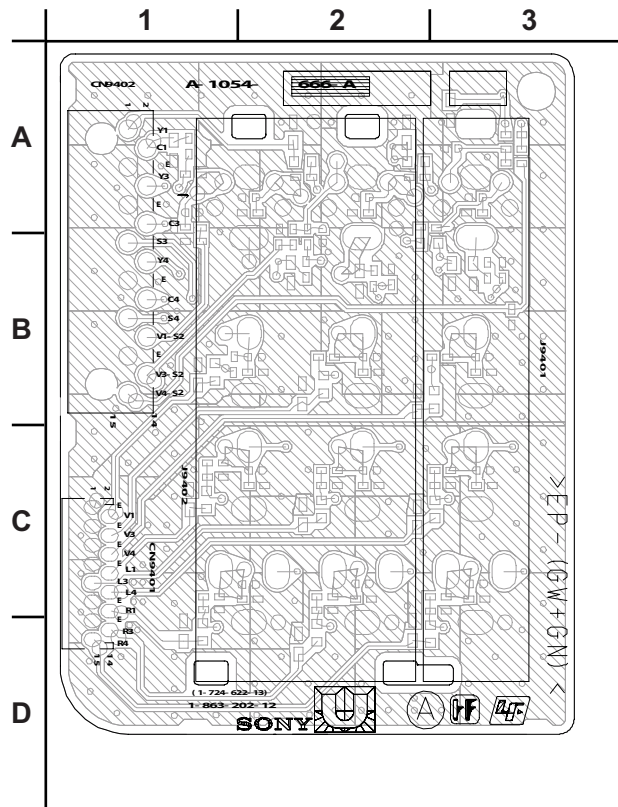
[LAMP DOOR SWITCH]

CONDUCTOR SIDE

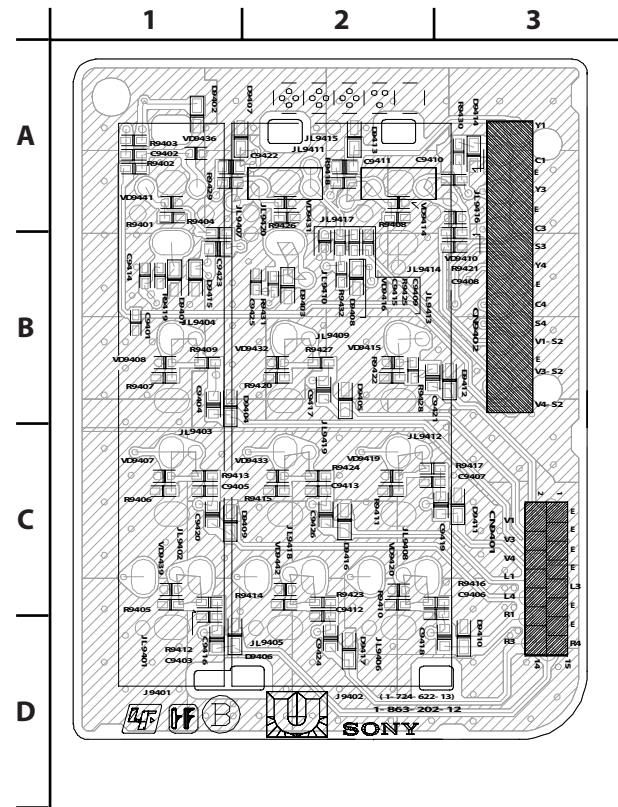




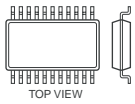
COMPONENT SIDE



COMPONENT SIDE

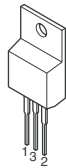


3-5. SEMICONDUCTORS



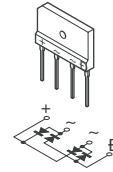
16Pin

CXA2069Q
NJW1149

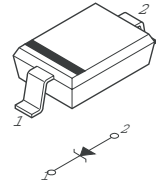


PQ07VZ012ZP

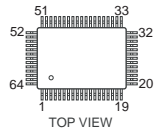
2SA1162-G
2SA1576A-T106-R
2SA1611-M5M6
2SC1623-L5L6
2SC4081-R
2SD601A-Q
DTA114EKA-T146
DTC114EK
DTC114EU
DTC143EKA-T146
DTC144EKA
DTC144EUA-T146



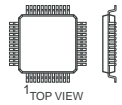
DAP202K
M1MA152WK-T1



SLR-325VCT31

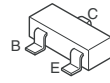


CXA2171AQ-T6

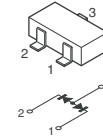


48Pin

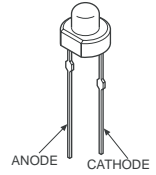
PQ30RV11
PQ30RV21
PQ30RV31



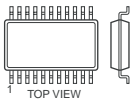
2SK2663



DE5SC3ML

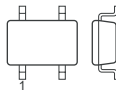


LM75CIMX-5
M24C02-WMN6T(A)
M24C16-WMN6T(A)
MAX4451EKA-TG069
NJM4558V-TE2



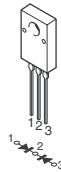
8Pin

SN74CBTLV1G125DCKR

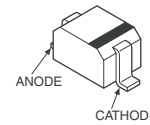


5Pin

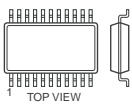
D10SC6M



DTZ10B
HZU11B1TRF
MA111-TX
MA113-(TX)
UDZS-TE17-5.6B
UDZ-TE-17-4.3B
UDZ-TE-17-8.2B

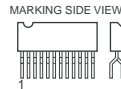


M52055FP



14Pin

TDA7265

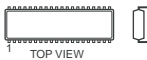


11Pin

D1N20R
D1NS4
RD12SB2
RD18SB2
RD3.3SB2

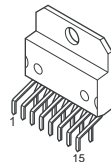
ERA22-08
ERC04-06SE

MCZ3001DA



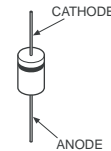
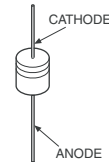
18Pin

TDA7296



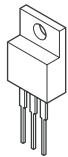
UPC1093J-1-T

D1NL20J-TR

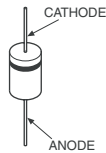


RD5.6SB2-T1
RD6.2SB2-T1
RD7.5SB2-T1

NJM79M12DL1A-TE1



D2SB60A-F04
D4SBL40
D4SBS6-F
D6SB60L



SECTION 4: EXPLODED VIEWS

Components not identified by a part number or description are not stocked because they are seldom required for routine service.

The component parts of an assembly are indicated by the reference numbers in the far right column of the parts list and within the dotted lines of the diagram.

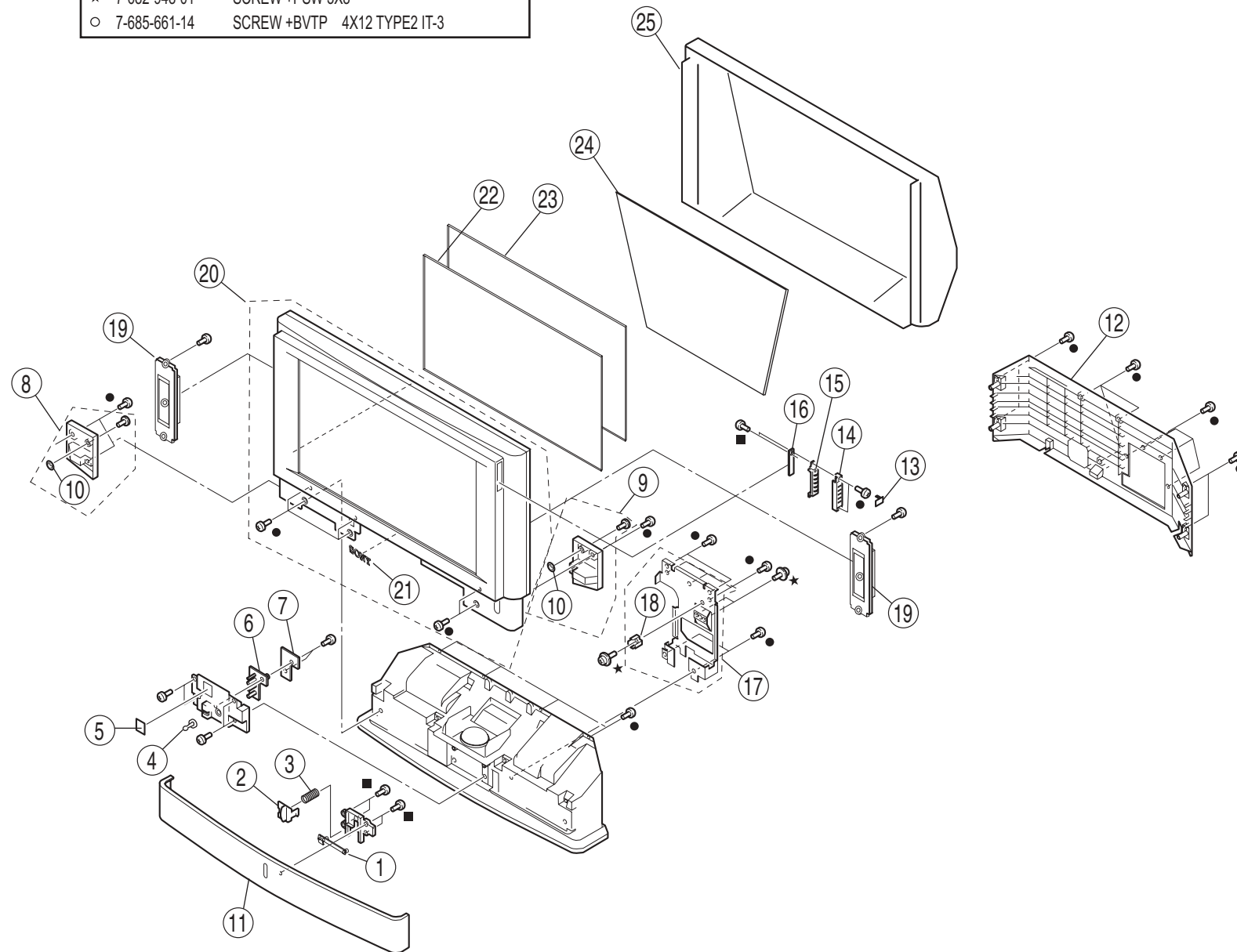
* Items marked with an asterisk are not stocked since they are seldom required for routine service. Expect some delay when ordering these components.

NOTE: The components identified by shading and \triangle mark are critical for safety. Replace only with part number specified.

NOTE: Les composants identifiés par un trame et une marque \triangle sont critiques pour la sécurité. Ne les remplacer que par une pièce portant le numéro spécifié.

4-1. COVER

- 7-685-648-79 SCREW +BVTP 3X12 TYPE2 IT-3
- 7-685-663-79 SCREW +BVTP 4X16 TYPE2 TT(B)
- ★ 7-682-948-01 SCREW +PSW 3X8
- 7-685-661-14 SCREW +BVTP 4X12 TYPE2 IT-3





REF. NO.	PART NO.	DESCRIPTION	[ASSEMBLY INCLUDES]	REF. NO.	PART NO.	DESCRIPTION	[ASSEMBLY INCLUDES]
* 1	2-021-311-11	FILTER, REMOTE		16	A-1054-667-A	H1 BOARD, MOUNTED	
2	4-094-706-01	BUTTON, POWER		17	X-2021-547-1	BRACKET ASSY, FRONT	[18]
3	4-036-405-01	SPRING, COMPRESSION				(KDF-42WE655 ONLY)	
4	4-092-219-01	STRIKE		17	X-2021-558-1	BRACKET ASSY, FRONT	[18]
5	4-097-613-01	SHEET, H2				(KDF-50WE655 ONLY)	
6	4-094-707-02	GUIDE (LED), LIGHT		18	4-077-652-01	CUSHION (A)	
7	A-1054-668-A	H2 BOARD, MOUNTED		19	1-825-961-11	LOUDSPEAKER (13X7CM)	(KDF-42WE655 ONLY)
8	X-2021-549-1	CAP (L) ASSY, REAR	[10]	20	A-1087-045-A	SCREEN FRAME ASSY (IRP)	[21]
		(KDF-42WE655 ONLY)				(KDF-42WE655 ONLY)	
8	X-2021-557-1	CAP (L) ASSY, REAR	[10]	20	A-1087-047-A	SCREEN FRAME ASSY (IRP)	[21]
		(KDF-50WE655 ONLY)				(KDF-50WE655 ONLY)	
9	X-2021-548-1	CAP (R) ASSY, REAR	[10]	21	3-704-179-01	EMBLEM (NO.9), SONY	
		(KDF-42WE655 ONLY)		22	1-788-197-41	PLATE (42L), DIFFUSION***	(KDF-42WE655 ONLY)
9	X-2021-556-1	CAP (R) ASSY, REAR	[10]	22	1-788-159-21	PLATE (50L), DIFFUSION	(KDF-50WE655 ONLY)
		(KDF-50WE655 ONLY)				(KDF-50WE655 ONLY)	
* 10	3-650-537-00	WASHER		23	1-788-196-41	PLATE (42F), DIFFUSION***	(KDF-42WE655 ONLY)
11	X-2021-546-1	COVER ASSY (42), FRONT **		23	1-788-162-21	PLATE (50F), DIFFUSION	(KDF-50WE655 ONLY)
		(KDF-42WE655 ONLY)				(KDF-50WE655 ONLY)	
11	X-2021-841-1	COVER ASSY (42), FRONT **		7-632-661-51	BLACK ACETATE (2142) 23X50M	TAPE FOR DIFFUSION PLATES (NOT SHOWN)	
		(KDF-42WE655 ONLY)		24	A-1087-015-A	MIRROR (42) ASSY (IRP)	(KDF-42WE655 ONLY)
11	X-2021-555-2	COVER ASSY (50), FRONT **				(KDF-42WE655 ONLY)	
		(KDF-50WE655 ONLY)		24	A-1087-018-A	MIRROR (50) ASSY (IRP)	(KDF-50WE655 ONLY)
11	X-2021-843-1	COVER ASSY (50), FRONT **		25	A-1087-046-A	MIRROR COVER ASSY (IRP)	(KDF-42WE655 ONLY)
		(KDF-50WE655 ONLY)				(KDF-42WE655 ONLY)	
12	2-148-637-01	COVER, REAR **		25	A-1087-048-A	MIRROR COVER ASSY (IRP)	(KDF-50WE655 ONLY)
12	4-103-431-01	COVER, REAR **				(KDF-50WE655 ONLY)	
13	4-094-713-31	CAP, H1 BRACKET					
14	4-094-711-31	BRACKET, H1					
		(KDF-42WE655 ONLY)					
15	4-094-712-01	BUTTON, H1					
		(KDF-42WE655 ONLY)					

**These items are manufactured at different facilities. Either part can be used as a replacement.

*****Caution:**

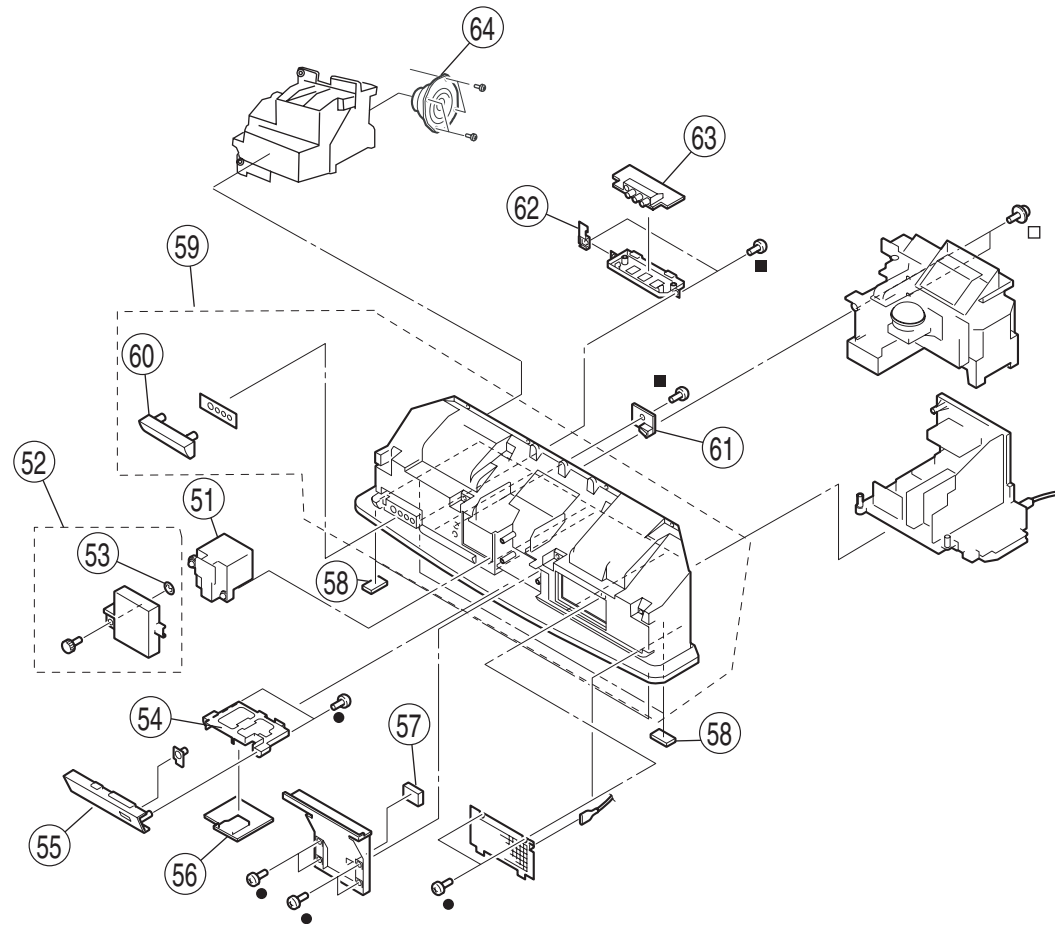
The Diffusion Plates for the 42" model need to be replaced as a set, therefore if either of the Diffusion Plates needs to be replaced you must order both plates.


NOTE: The components identified by shading and  mark are critical for safety. Replace only with part number specified.

NOTE: Les composants identifiés par un trame et une marque  sont critiques pour la sécurité. Ne les remplacer que par une pièce portant le numéro spécifique.


4-2. BOTTOM CABINET (KDF-42WE655 ONLY)


- 7-685-648-79 SCREW +BVTP 3X12 TYPE2 IT-3
- 7-685-663-79 SCREW +BVTP 4X16 TYPE2 TT(B)
- 7-685-167-19 SCREW +P 4X35 TYPE2 NON-SLIT



REF. NO.	PART NO.	DESCRIPTION	[ASSEMBLY INCLUDES]	REF. NO.	PART NO.	DESCRIPTION	[ASSEMBLY INCLUDES]
 *51	A-1606-034-B	LAMP BLOCK (RP) ASSY		60	4-094-721-03	DOOR, H3	
52	X-2021-543-1	DOOR ASSY, LAMP	[53]	61	A-1054-670-A	T BOARD, MOUNTED	
* 53	3-650-537-00	WASHER		62	4-094-757-01	SPRING, PLATE	
* 54	2-021-132-01	BRACKET, MS		63	A-1054-669-A	H3 BOARD, MOUNTED	
55	X-2024-961-1	PANEL ASSY, MS		64	1-825-960-11	LOUDSPEAKER (13CM)	
56	A-1060-184-A	HM BOARD, COMPLETE					
57	4-096-431-01	CUSHION (SP), SHIELD					
58	4-097-548-01	CUSHION, FOOT					
59	X-2021-542-1	CABINET ASSY (42), BOTTOM **	[60]				
59	X-2023-247-1	CABINET ASSY (42), BOTTOM **	[60]				

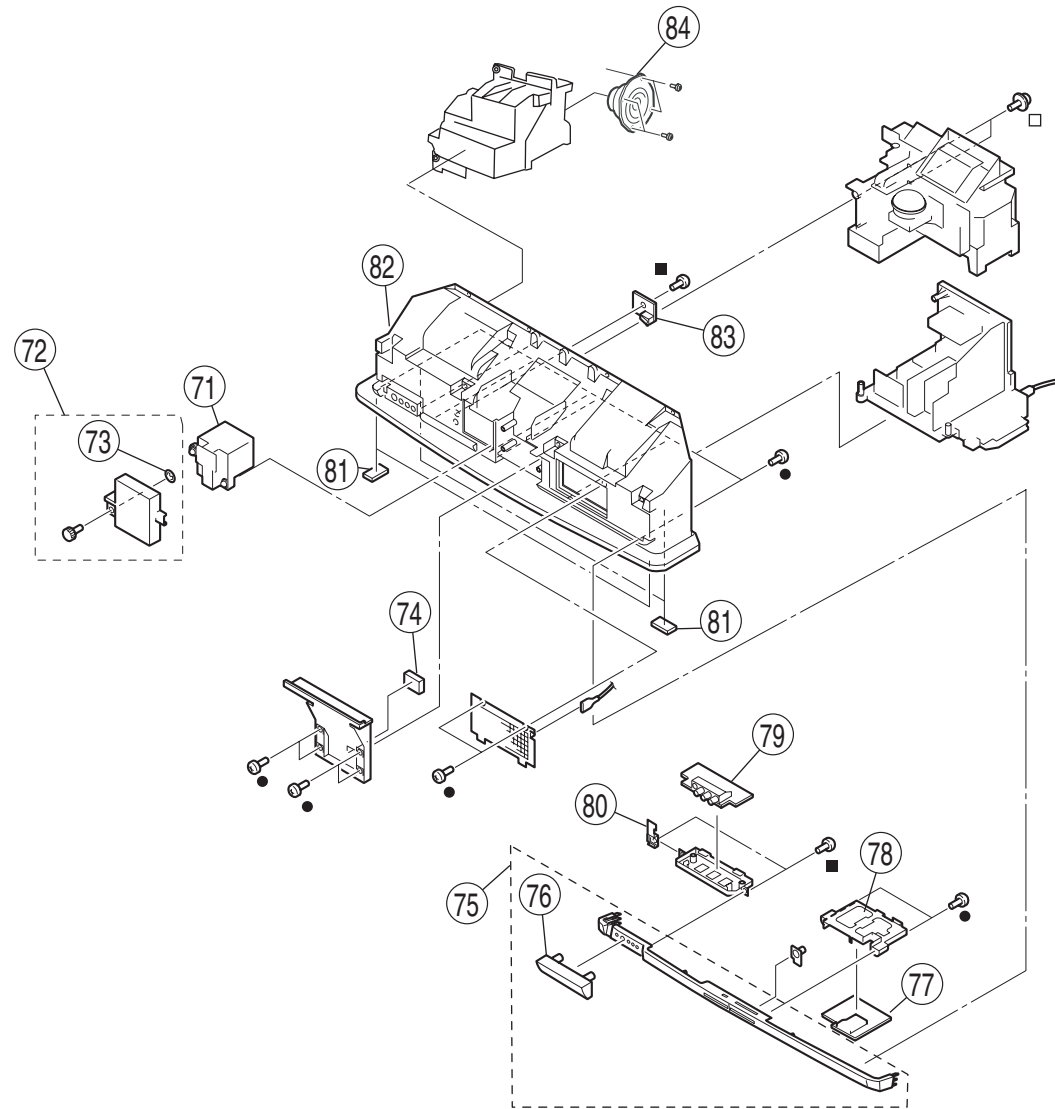
**These items are manufactured at different facilities. Either part can be used as a replacement.


NOTE: The components identified by shading and  mark are critical for safety. Replace only with part number specified.

NOTE: Les composants identifiés par un trame et une marque  sont critiques pour la sécurité. Ne les remplacer que par une pièce portant le numéro spécifique.


4-3. BOTTOM CABINET (KDF-50WE655 ONLY)


- 7-685-648-79 SCREW +BVTP 3X12 TYPE2 IT-3
- 7-685-663-79 SCREW +BVTP 4X16 TYPE2 TT(B)
- 7-685-167-19 SCREW +P 4X35 TYPE2 NON-SLIT



REF. NO.	PART NO.	DESCRIPTION	[ASSEMBLY INCLUDES]	REF. NO.	PART NO.	DESCRIPTION	[ASSEMBLY INCLUDES]
 *71	A-1606-034-B	LAMP BLOCK (RP) ASSY		81	4-097-548-01	CUSHION, FOOT	
72	X-2021-543-1	DOOR ASSY, LAMP	[73]	82	X-2021-552-1	CABINET ASSY (50), BOTTOM **	
* 73	3-650-537-00	WASHER		82	X-2021-837-1	CABINET ASSY (50), BOTTOM **	
74	4-096-431-01	CUSHION (SP), SHIELD		83	A-1054-670-A	T BOARD, MOUNTED	
75	X-2021-559-2	COVER ASSY (50), BOTTOM **	[76]	84	1-825-960-11	LOUDSPEAKER (13CM)	
75	X-2024-970-1	COVER ASSY (50), BOTTOM **	[76]				
76	4-094-721-03	DOOR, H3					
77	A-1060-184-A	HM BOARD, COMPLETE					
* 78	2-021-132-01	BRACKET, MS					
79	A-1054-669-A	H3 BOARD, MOUNTED					
80	4-094-757-01	SPRING, PLATE					

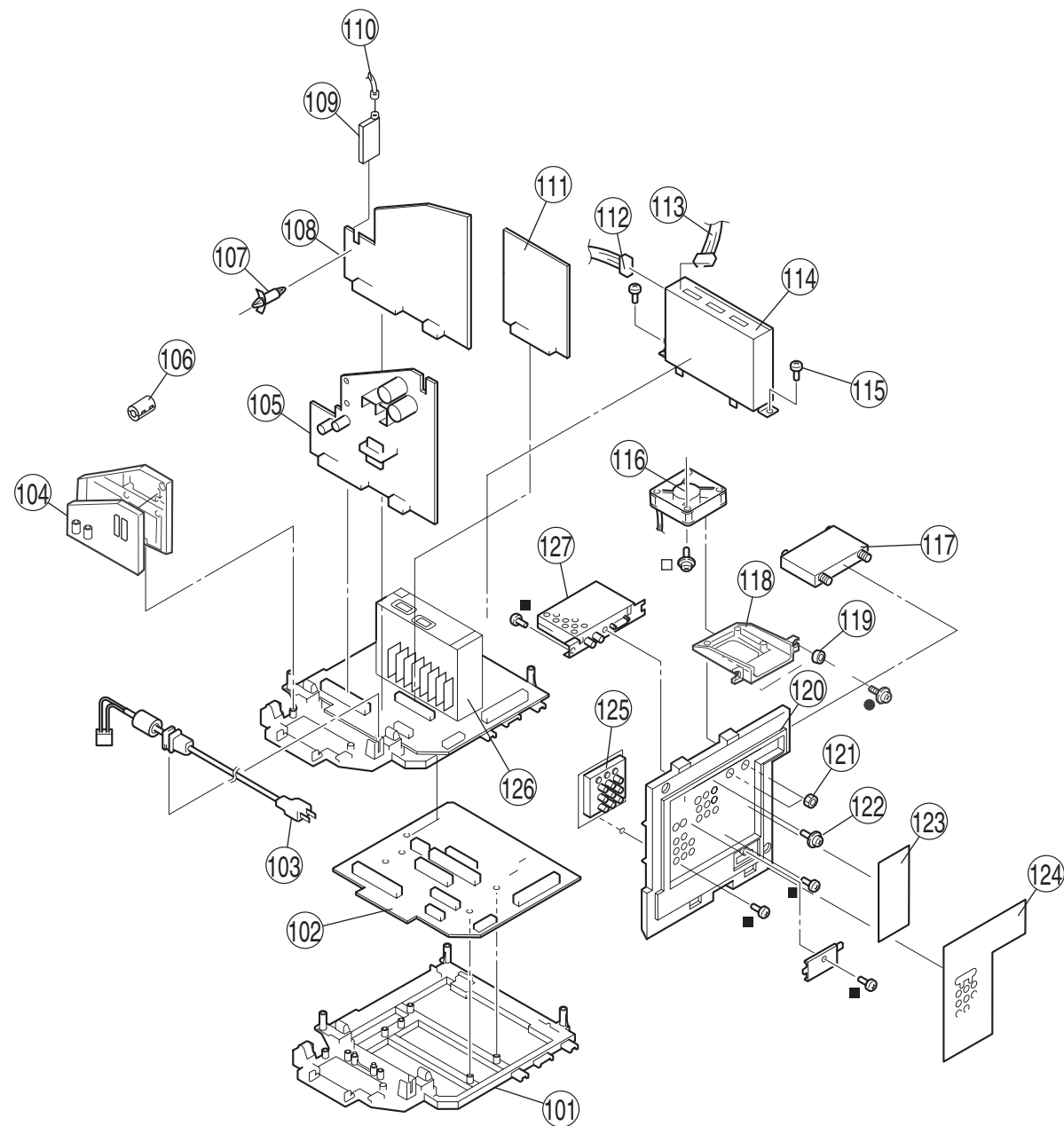
**These items are manufactured at different facilities. Either part can be used as a replacement.





NOTE: The components identified by shading and  mark are critical for safety. Replace only with part number specified.

NOTE: Les composants identifiés par un trame et une marque  sont critiques pour la sécurité. Ne les remplacer que par une pièce portant le numéro spécifié.


4-4. CHASSIS


- 7-685-167-19 SCREW +P 4X35 TYPE2 NON-SLIT
- 7-685-648-79 SCREW +BVTP 3X12 TYPE2 IT-3



REF. NO.	PART NO.	DESCRIPTION	[ASSEMBLY INCLUDES]	REF. NO.	PART NO.	DESCRIPTION	[ASSEMBLY INCLUDES]
*	101	4-103-435-01	BRACKET, MAIN**	115	4-029-432-01	SCREW (3X12), (+) BVWHTP	
*	101	2-050-148-01	MAIN BRACKET**	 *116	1-787-081-11	FAN, DC	
	102	A-1060-178-B	G2 BOARD, COMPLETE	117	8-597-906-00	ANTENNA SWITCH RFD-SA801	
	103	1-791-192-21	CORD, NOISE FILTER WITH POWER	*	118	4-103-439-01	BRACKET, FAN (CHASSIS)
	104	A-1060-176-A	F BOARD, COMPLETE	*	119	2-148-339-01	CUSHION (FAN)
	105	A-1060-177-A	G1 BOARD, COMPLETE	120	2-050-149-01	U BRACKET	
	106	1-500-082-11	CLAMP, SLEEVE FERRITE	121	3-682-691-00	NUT, WASHER HEXAGON	
*	107	4-092-047-01	CIRCUIT BOARD SUPPORTS	122	4-382-854-01	SCREW (M3X8), P, SW (+)	
	108	A-1060-166-A	A BOARD, COMPLETE	123	2-048-669-01	LABEL (DIGITAL), TERMINAL	
	109	8-598-594-10	TUNER, FSS BTF-FA421	124	2-048-668-01	LABEL, TERMINAL	
*	110	1-557-056-31	CABLE, P-P	125	A-1054-666-A	U BOARD, MOUNTED	
	111	A-1060-187-A	KD BOARD, COMPLETE	126	A-1058-689-A	Q BOX ASSEMBLY	
	112	1-910-004-95	17P CONNECTOR ASSY (LVDS CABLE)	The Q Box Assembly contains the QT Board, the QM Board, and the QU Board. These boards cannot be ordered separately.			
	113	1-910-004-94	17P CONNECTOR ASSY (LVDS CABLE)	*	127	A-1068-754-A	P BOARD, COMPLETE
	114	A-1060-168-D	B BOARD, COMPLETE				

**These items are manufactured at different facilities. Either part can be used as a replacement.

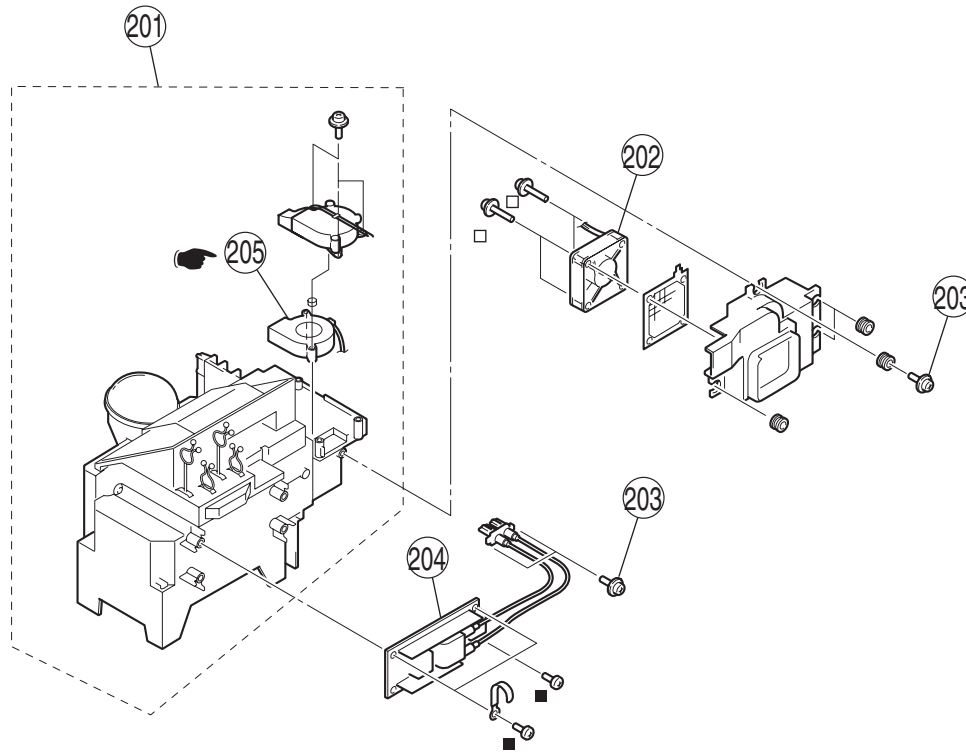
NOTE: The components identified by shading and  mark are critical for safety. Replace only with part number specified.







NOTE: Les composants identifiés par un trame et une marque  sont critiques pour la securite. Ne les remplacer que par une piece portant le numero specifique.

4-5. OPTICAL UNIT BLOCK

■	7-685-167-19	SCREW +P 4X35 TYPE2 NON-SLIT
□	7-685-648-79	SCREW +BVTP 3X12 TYPE2 IT-3

Caution:
When replacing the Optics Unit Block Assembly be sure to remove any dust particles.



REF. NO.	PART NO.	DESCRIPTION	[ASSEMBLY INCLUDES]	REF. NO.	PART NO.	DESCRIPTION	[ASSEMBLY INCLUDES]	
	201	A-1084-658-A	OPTICS UNIT BLOCK (IRP) ASSY (KDF-42WE655 ONLY)	[205]		203	4-302-404-03	SCREW (WASHER HEAD) (+P 4X16)
	201	A-1084-660-A	OPTICS UNIT BLOCK (IRP) ASSY (KDF-50WE655 ONLY)	[205]		204	1-468-798-14	POWER SUPPLY BLOCK
	202	1-787-057-11	D.C. FAN		205	1-787-065-11	D.C. FAN (SIROCCO)	

SECTION 5: ELECTRICAL PARTS LIST

NOTE: The components identified by shading and \triangle mark are critical for safety. Replace only with part number specified.

NOTE: Les composants identifiés par un trame et une marque \triangle sont critiques pour la sécurité. Ne les remplacer que par une pièce portant le numéro spécifié.

* Items marked with an asterisk are not stocked since they are seldom required for routine service. Expect some delay when ordering these components.

RESISTORS

- All resistors are in ohms
- F : nonflammable
- All variable and adjustable resistors have characteristic curve B, unless otherwise noted.



When ordering parts by reference number, please include the board name.

REF. NO.	PART NO.	DESCRIPTION	VALUES			REF. NO.	PART NO.	DESCRIPTION	VALUES		
<div style="border: 1px solid black; padding: 5px; width: 40px; text-align: center; font-size: 2em; margin-bottom: 10px;">U</div>						DIODE					
						D9401	8-719-977-28	DIODE	DTZ10B		
A-1054-666-A UBOARD, MOUNTED						JACK					
						J9401	1-774-748-11	TERMINAL BLOCK, S			
CAPACITOR						RESISTOR					
						C9401	1-125-891-11	CERAMIC CHIP	0.47 μ F	10%	10V
C9402	1-162-970-11	CERAMIC CHIP	0.01 μ F	10%	25V	R9402	1-218-665-11	METAL CHIP	75	0.50%	1/10W
C9403	1-162-964-11	CERAMIC CHIP	0.001 μ F	10%	50V	R9403	1-216-864-11	SHORT CHIP			
C9404	1-164-505-11	CERAMIC CHIP	2.2 μ F	16V		R9404	1-216-864-11	SHORT CHIP			
C9405	1-162-964-11	CERAMIC CHIP	0.001 μ F	10%	50V	R9405	1-216-849-11	METAL CHIP	220K	5%	1/10W
C9406	1-162-964-11	CERAMIC CHIP	0.001 μ F	10%	50V	R9406	1-216-849-11	METAL CHIP	220K	5%	1/10W
C9407	1-162-964-11	CERAMIC CHIP	0.001 μ F	10%	50V	R9407	1-218-665-11	METAL CHIP	75	0.50%	1/10W
C9408	1-125-891-11	CERAMIC CHIP	0.47 μ F	10%	10V	R9408	1-218-665-11	METAL CHIP	75	0.50%	1/10W
C9409	1-125-891-11	CERAMIC CHIP	0.47 μ F	10%	10V	R9409	1-216-864-11	SHORT CHIP			
C9410	1-162-970-11	CERAMIC CHIP	0.01 μ F	10%	25V	R9410	1-216-849-11	METAL CHIP	220K	5%	1/10W
C9411	1-164-505-11	CERAMIC CHIP	2.2 μ F	16V		R9411	1-216-849-11	METAL CHIP	220K	5%	1/10W
C9412	1-162-964-11	CERAMIC CHIP	0.001 μ F	10%	50V	R9412	1-216-821-11	METAL CHIP	1K	5%	1/10W
C9413	1-162-964-11	CERAMIC CHIP	0.001 μ F	10%	50V	R9413	1-216-821-11	METAL CHIP	1K	5%	1/10W
C9415	1-162-970-11	CERAMIC CHIP	0.01 μ F	10%	25V	R9414	1-216-849-11	METAL CHIP	220K	5%	1/10W
C9416	1-164-505-11	CERAMIC CHIP	2.2 μ F	16V		R9415	1-216-849-11	METAL CHIP	220K	5%	1/10W
C9417	1-164-505-11	CERAMIC CHIP	2.2 μ F	16V		R9416	1-216-821-11	METAL CHIP	1K	5%	1/10W
C9418	1-164-505-11	CERAMIC CHIP	2.2 μ F	16V		R9417	1-216-821-11	METAL CHIP	1K	5%	1/10W
C9419	1-164-505-11	CERAMIC CHIP	2.2 μ F	16V		R9418	1-216-864-11	SHORT CHIP			
C9420	1-164-505-11	CERAMIC CHIP	2.2 μ F	16V		R9419	1-216-864-11	SHORT CHIP			
C9421	1-164-505-11	CERAMIC CHIP	2.2 μ F	16V		R9420	1-218-665-11	METAL CHIP	75	0.50%	1/10W
C9422	1-164-505-11	CERAMIC CHIP	2.2 μ F	16V		R9421	1-218-665-11	METAL CHIP	75	0.50%	1/10W
C9423	1-164-505-11	CERAMIC CHIP	2.2 μ F	16V		R9422	1-218-665-11	METAL CHIP	75	0.50%	1/10W
C9424	1-164-505-11	CERAMIC CHIP	2.2 μ F	16V		R9423	1-216-821-11	METAL CHIP	1K	5%	1/10W
C9426	1-164-505-11	CERAMIC CHIP	2.2 μ F	16V		R9424	1-216-821-11	METAL CHIP	1K	5%	1/10W
CONNECTOR						R9425	1-218-665-11	METAL CHIP	75	0.50%	1/10W
						CN9401	1-778-398-11	CONNECTOR, BOARD TO BOARD 15P			
* CN9402	1-691-632-22	CONNECTOR, BOARD TO BOARD 15P				R9427	1-216-864-11	SHORT CHIP			



REF. NO.	PART NO.	DESCRIPTION	VALUES	REF. NO.	PART NO.	DESCRIPTION	VALUES
R9428	1-216-864-11	SHORT CHIP		C8031	1-162-966-11	CERAMIC CHIP	0.0022μF 10% 50V
R9429	1-216-864-11	SHORT CHIP		C8032	1-117-681-11	ELECT CHIP	100μF 20% 16V
R9430	1-216-864-11	SHORT CHIP		C8033	1-162-966-11	CERAMIC CHIP	0.0022μF 10% 50V
R9431	1-216-864-11	SHORT CHIP		C8036	1-162-966-11	CERAMIC CHIP	0.0022μF 10% 50V
R9432	1-216-864-11	SHORT CHIP		C8037	1-117-681-11	ELECT CHIP	100μF 20% 16V
VARISTOR				C8041	1-162-966-11	CERAMIC CHIP	0.0022μF 10% 50V
VD9407	1-803-974-21	VARISTOR, CHIP	(1608)	C8042	1-117-681-11	ELECT CHIP	100μF 20% 16V
VD9408	1-803-974-21	VARISTOR, CHIP	(1608)	C8043	1-164-156-11	CERAMIC CHIP	0.1μF 25V
VD9410	1-803-974-21	VARISTOR, CHIP	(1608)	C8044	1-117-681-11	ELECT CHIP	100μF 20% 16V
VD9414	1-803-974-21	VARISTOR, CHIP	(1608)	C8045	1-107-826-11	CERAMIC CHIP	0.1μF 10% 16V
VD9415	1-803-974-21	VARISTOR, CHIP	(1608)	C8046	1-107-826-11	CERAMIC CHIP	0.1μF 10% 16V
VD9416	1-803-974-21	VARISTOR, CHIP	(1608)	C8047	1-128-994-21	ELECT CHIP	47μF 20% 10V
VD9419	1-803-974-21	VARISTOR, CHIP	(1608)	C8048	1-107-826-11	CERAMIC CHIP	0.1μF 10% 16V
VD9420	1-803-974-21	VARISTOR, CHIP	(1608)	C8049	1-164-505-11	CERAMIC CHIP	2.2μF 16V
VD9431	1-803-974-21	VARISTOR, CHIP	(1608)	C8050	1-164-505-11	CERAMIC CHIP	2.2μF 16V
VD9432	1-803-974-21	VARISTOR, CHIP	(1608)	C8051	1-162-970-11	CERAMIC CHIP	0.01μF 10% 25V
VD9433	1-803-974-21	VARISTOR, CHIP	(1608)	C8052	1-164-156-11	CERAMIC CHIP	0.1μF 25V
VD9436	1-803-974-21	VARISTOR, CHIP	(1608)	C8053	1-165-176-11	CERAMIC CHIP	0.047μF 10% 16V
VD9439	1-803-974-21	VARISTOR, CHIP	(1608)	C8054	1-115-156-11	CERAMIC CHIP	1μF 10V
VD9441	1-803-974-21	VARISTOR, CHIP	(1608)	C8055	1-162-961-11	CERAMIC CHIP	330pF 10% 50V
VD9442	1-803-974-21	VARISTOR, CHIP	(1608)	C8056	1-127-804-91	CERAMIC CHIP	100pF 1% 50V
A				C8057	1-165-176-11	CERAMIC CHIP	0.047μF 10% 16V
*	A-1060-166-A	A BOARD, COMPLETE		C8058	1-115-156-11	CERAMIC CHIP	1μF 10V
CAPACITOR				C8059	1-164-230-11	CERAMIC CHIP	220pF 5% 50V
C8002	1-107-826-11	CERAMIC CHIP	0.1μF 10% 16V	C8061	1-109-982-11	CERAMIC CHIP	1μF 10% 10V
C8003	1-107-826-11	CERAMIC CHIP	0.1μF 10% 16V	C8062	1-107-826-11	CERAMIC CHIP	0.1μF 10% 16V
C8004	1-162-913-11	CERAMIC CHIP	8pF 0.50pF 50V	C8063	1-165-908-11	CERAMIC CHIP	1μF 10% 10V
C8005	1-117-720-11	CERAMIC CHIP	4.7μF 10V	C8064	1-107-826-11	CERAMIC CHIP	0.1μF 10% 16V
C8006	1-135-960-91	CERAMIC CHIP	10μF 10% 25V	C8065	1-162-913-11	CERAMIC CHIP	8pF 0.50pF 50V
C8007	1-164-360-11	CERAMIC CHIP	0.1μF 16V	C8066	1-107-826-11	CERAMIC CHIP	0.1μF 10% 16V
C8008	1-107-826-11	CERAMIC CHIP	0.1μF 10% 16V	C8067	1-107-826-11	CERAMIC CHIP	0.1μF 10% 16V
C8009	1-107-826-11	CERAMIC CHIP	0.1μF 10% 16V	C8068	1-107-826-11	CERAMIC CHIP	0.1μF 10% 16V
C8010	1-127-931-21	ELECT CHIP	470μF 20% 16V	C8069	1-107-826-11	CERAMIC CHIP	0.1μF 10% 16V
C8011	1-127-931-21	ELECT CHIP	470μF 20% 16V	C8070	1-107-826-11	CERAMIC CHIP	0.1μF 10% 16V
C8012	1-107-826-11	CERAMIC CHIP	0.1μF 10% 16V	C8071	1-164-505-11	CERAMIC CHIP	2.2μF 16V
C8013	1-117-720-11	CERAMIC CHIP	4.7μF 10V	C8072	1-164-505-11	CERAMIC CHIP	2.2μF 16V
C8014	1-124-779-00	ELECT CHIP	10μF 20% 16V	C8073	1-117-720-11	CERAMIC CHIP	4.7μF 10V
C8015	1-162-966-11	CERAMIC CHIP	0.0022μF 10% 50V	C8074	1-164-505-11	CERAMIC CHIP	2.2μF 16V
C8016	1-117-681-11	ELECT CHIP	100μF 20% 16V	C8075	1-164-505-11	CERAMIC CHIP	2.2μF 16V
C8018	1-165-908-11	CERAMIC CHIP	1μF 10% 10V	C8076	1-164-505-11	CERAMIC CHIP	2.2μF 16V
C8019	1-107-826-11	CERAMIC CHIP	0.1μF 10% 16V	C8077	1-127-931-21	ELECT CHIP	470μF 20% 16V
C8021	1-165-908-11	CERAMIC CHIP	1μF 10% 10V	C8078	1-127-931-21	ELECT CHIP	470μF 20% 16V
C8022	1-162-970-11	CERAMIC CHIP	0.01μF 10% 25V	C8080	1-124-779-00	ELECT CHIP	10μF 20% 16V
C8030	1-128-407-11	ELECT CHIP	47μF 20% 50V	C8081	1-124-779-00	ELECT CHIP	10μF 20% 16V
				C8082	1-162-968-11	CERAMIC CHIP	0.0047μF 10% 50V
				C8083	1-162-968-11	CERAMIC CHIP	0.0047μF 10% 50V
				C8084	1-165-908-11	CERAMIC CHIP	1μF 10% 10V



REF. NO.	PART NO.	DESCRIPTION	VALUES			REF. NO.	PART NO.	DESCRIPTION	VALUES		
C8085	1-165-908-11	CERAMIC CHIP	1 μ F	10%	10V	C8304	1-164-156-11	CERAMIC CHIP	0.1 μ F		25V
C8086	1-162-964-11	CERAMIC CHIP	0.001 μ F	10%	50V	C8305	1-164-227-11	CERAMIC CHIP	0.022 μ F	10%	25V
C8087	1-162-964-11	CERAMIC CHIP	0.001 μ F	10%	50V	C8306	1-162-964-11	CERAMIC CHIP	0.001 μ F	10%	50V
C8088	1-165-908-11	CERAMIC CHIP	1 μ F	10%	10V	C8307	1-100-118-21	ELECT CHIP	82 μ F	20%	16V
C8089	1-162-964-11	CERAMIC CHIP	0.001 μ F	10%	50V	C8308	1-164-156-11	CERAMIC CHIP	0.1 μ F		25V
C8090	1-165-908-11	CERAMIC CHIP	1 μ F	10%	10V	C8309	1-107-826-11	CERAMIC CHIP	0.1 μ F	10%	16V
C8091	1-162-964-11	CERAMIC CHIP	0.001 μ F	10%	50V	C8310	1-107-826-11	CERAMIC CHIP	0.1 μ F	10%	16V
C8092	1-117-681-11	ELECT CHIP	100 μ F	20%	16V	C8311	1-107-826-11	CERAMIC CHIP	0.1 μ F	10%	16V
C8093	1-117-681-11	ELECT CHIP	100 μ F	20%	16V	C8312	1-162-923-11	CERAMIC CHIP	47pF	5%	50V
C8094	1-117-681-11	ELECT CHIP	100 μ F	20%	16V	C8313	1-107-826-11	CERAMIC CHIP	0.1 μ F	10%	16V
C8095	1-117-681-11	ELECT CHIP	100 μ F	20%	16V	C8314	1-124-779-00	ELECT CHIP	10 μ F	20%	16V
C8096	1-117-681-11	ELECT CHIP	100 μ F	20%	16V	C8315	1-164-677-11	CERAMIC CHIP	0.033 μ F	10%	16V
C8097	1-117-681-11	ELECT CHIP	100 μ F	20%	16V	C8316	1-164-677-11	CERAMIC CHIP	0.033 μ F	10%	16V
C8098	1-127-931-21	ELECT CHIP	470 μ F	20%	16V	C8319	1-164-156-11	CERAMIC CHIP	0.1 μ F		25V
C8099	1-107-826-11	CERAMIC CHIP	0.1 μ F	10%	16V	C8320	1-164-156-11	CERAMIC CHIP	0.1 μ F		25V
C8100	1-117-720-11	CERAMIC CHIP	4.7 μ F		10V	C8321	1-164-156-11	CERAMIC CHIP	0.1 μ F		25V
C8101	1-127-931-21	ELECT CHIP	470 μ F	20%	16V	C8322	1-164-156-11	CERAMIC CHIP	0.1 μ F		25V
C8107	1-162-915-11	CERAMIC CHIP	10pF	0.50pF	50V	C8323	1-162-966-11	CERAMIC CHIP	0.0022 μ F	10%	50V
C8108	1-127-931-21	ELECT CHIP	470 μ F	20%	16V	C8324	1-162-967-11	CERAMIC CHIP	0.0033 μ F	10%	50V
C8200	1-127-715-91	CERAMIC CHIP	0.22 μ F	10%	16V	C8325	1-117-681-11	ELECT CHIP	100 μ F	20%	16V
C8201	1-128-996-11	ELECT CHIP	4.7 μ F	20%	50V	C8326	1-164-156-11	CERAMIC CHIP	0.1 μ F		25V
C8202	1-117-681-11	ELECT CHIP	100 μ F	20%	16V	C8327	1-117-681-11	ELECT CHIP	100 μ F	20%	16V
C8203	1-107-826-11	CERAMIC CHIP	0.1 μ F	10%	16V	C8328	1-165-875-11	CERAMIC CHIP	10 μ F	10%	10V
C8204	1-124-779-00	ELECT CHIP	10 μ F	20%	16V	C8329	1-107-826-11	CERAMIC CHIP	0.1 μ F	10%	16V
C8205	1-164-360-11	CERAMIC CHIP	0.1 μ F		16V	C8330	1-107-826-11	CERAMIC CHIP	0.1 μ F	10%	16V
C8206	1-117-681-11	ELECT CHIP	100 μ F	20%	16V	C8331	1-107-826-11	CERAMIC CHIP	0.1 μ F	10%	16V
C8207	1-164-230-11	CERAMIC CHIP	220pF	5%	50V	C8332	1-135-960-91	CERAMIC CHIP	10 μ F	10%	25V
C8208	1-164-230-11	CERAMIC CHIP	220pF	5%	50V	C8333	1-107-826-11	CERAMIC CHIP	0.1 μ F	10%	16V
C8209	1-127-573-11	CERAMIC CHIP	1 μ F	10%	16V	C8334	1-107-826-11	CERAMIC CHIP	0.1 μ F	10%	16V
C8210	1-127-573-11	CERAMIC CHIP	1 μ F	10%	16V	C8335	1-117-681-11	ELECT CHIP	100 μ F	20%	16V
C8220	1-136-167-00	FILM	0.15 μ F	5%	50V	C8336	1-164-004-11	CERAMIC CHIP	0.1 μ F	10%	25V
C8221	1-136-159-00	FILM	0.033 μ F	5%	50V	C8337	1-162-917-11	CERAMIC CHIP	15pF	5%	50V
C8222	1-136-167-00	FILM	0.15 μ F	5%	50V	C8338	1-162-917-11	CERAMIC CHIP	15pF	5%	50V
C8223	1-136-159-00	FILM	0.033 μ F	5%	50V	C8339	1-164-004-11	CERAMIC CHIP	0.1 μ F	10%	25V
C8224	1-162-915-11	CERAMIC CHIP	10pF	0.50pF	50V	C8340	1-135-960-91	CERAMIC CHIP	10 μ F	10%	25V
C8225	1-107-826-11	CERAMIC CHIP	0.1 μ F	10%	16V	C8341	1-164-156-11	CERAMIC CHIP	0.1 μ F		25V
C8226	1-162-915-11	CERAMIC CHIP	10pF	0.50pF	50V	C8342	1-164-156-11	CERAMIC CHIP	0.1 μ F		25V
C8227	1-128-992-21	ELECT CHIP	47 μ F	20%	25V	C8343	1-135-960-91	CERAMIC CHIP	10 μ F	10%	25V
C8228	1-162-923-11	CERAMIC CHIP	47pF	5%	50V	C8346	1-100-118-21	ELECT CHIP	82 μ F	20%	16V
C8229	1-162-923-11	CERAMIC CHIP	47pF	5%	50V	C8347	1-100-118-21	ELECT CHIP	82 μ F	20%	16V
C8230	1-162-923-11	CERAMIC CHIP	47pF	5%	50V	C8350	1-107-826-11	CERAMIC CHIP	0.1 μ F	10%	16V
C8231	1-162-923-11	CERAMIC CHIP	47pF	5%	50V	C8351	1-164-315-11	CERAMIC CHIP	470pF	5%	50V
C8232	1-136-161-00	FILM	0.047 μ F	5%	50V	C8352	1-162-915-11	CERAMIC CHIP	10pF	0.50pF	50V
C8233	1-136-161-00	FILM	0.047 μ F	5%	50V	C8353	1-107-826-11	CERAMIC CHIP	0.1 μ F	10%	16V
C8301	1-127-931-21	ELECT CHIP	470 μ F	20%	16V	C8354	1-107-826-11	CERAMIC CHIP	0.1 μ F	10%	16V
C8302	1-162-917-11	CERAMIC CHIP	15pF	5%	50V	C8355	1-125-891-11	CERAMIC CHIP	0.47 μ F	10%	10V
C8303	1-117-681-11	ELECT CHIP	100 μ F	20%	16V	C8356	1-125-891-11	CERAMIC CHIP	0.47 μ F	10%	10V



REF. NO.	PART NO.	DESCRIPTION	VALUES			REF. NO.	PART NO.	DESCRIPTION	VALUES		
C8357	1-125-891-11	CERAMIC CHIP	0.47μF	10%	10V	C8576	1-126-193-11	ELECT CHIP	1μF	20%	50V
C8358	1-107-826-11	CERAMIC CHIP	0.1μF	10%	16V	C8577	1-127-715-91	CERAMIC CHIP	0.22μF	10%	16V
C8359	1-110-530-11	ELECT CHIP	1000μF	20%	6.3V	C8578	1-127-715-91	CERAMIC CHIP	0.22μF	10%	16V
C8360	1-110-530-11	ELECT CHIP	1000μF	20%	6.3V	C8579	1-127-715-91	CERAMIC CHIP	0.22μF	10%	16V
C8361	1-117-681-11	ELECT CHIP	100μF	20%	16V	C8580	1-107-826-11	CERAMIC CHIP	0.1μF	10%	16V
C8362	1-164-156-11	CERAMIC CHIP	0.1μF		25V	C8581	1-127-715-91	CERAMIC CHIP	0.22μF	10%	16V
C8365	1-128-996-11	ELECT CHIP	4.7μF	20%	50V	C8582	1-127-715-91	CERAMIC CHIP	0.22μF	10%	16V
C8366	1-164-156-11	CERAMIC CHIP	0.1μF		25V	C8583	1-126-767-11	ELECT	1000μF	20%	16V
C8367	1-117-681-11	ELECT CHIP	100μF	20%	16V	C8584	1-127-715-91	CERAMIC CHIP	0.22μF	10%	16V
C8368	1-162-970-11	CERAMIC CHIP	0.01μF	10%	25V	C8585	1-126-767-11	ELECT	1000μF	20%	16V
C8369	1-164-156-11	CERAMIC CHIP	0.1μF		25V	C8586	1-162-968-11	CERAMIC CHIP	0.0047μF	10%	50V
C8370	1-125-891-11	CERAMIC CHIP	0.47μF	10%	10V	C8587	1-162-970-11	CERAMIC CHIP	0.01μF	10%	25V
C8372	1-128-996-11	ELECT CHIP	4.7μF	20%	50V	C8588	1-128-996-11	ELECT CHIP	4.7μF	20%	50V
C8373	1-162-970-11	CERAMIC CHIP	0.01μF	10%	25V	C8589	1-107-826-11	CERAMIC CHIP	0.1μF	10%	16V
C8374	1-125-891-11	CERAMIC CHIP	0.47μF	10%	10V	C8590	1-126-193-11	ELECT CHIP	1μF	20%	50V
C8375	1-162-927-11	CERAMIC CHIP	100pF	5%	50V	C8591	1-162-968-11	CERAMIC CHIP	0.0047μF	10%	50V
C8376	1-162-919-11	CERAMIC CHIP	22pF	5%	50V	C8592	1-126-193-11	ELECT CHIP	1μF	20%	50V
C8377	1-162-924-11	CERAMIC CHIP	56pF	5%	50V	C8593	1-117-681-11	ELECT CHIP	100μF	20%	16V
C8409	1-117-681-11	ELECT CHIP	100μF	20%	16V	C8594	1-126-193-11	ELECT CHIP	1μF	20%	50V
C8410	1-162-974-11	CERAMIC CHIP	0.01μF		50V	C8596	1-136-157-00	FILM	0.022μF	5%	50V
C8422	1-117-681-11	ELECT CHIP	100μF	20%	16V	C8597	1-136-167-00	FILM	0.15μF	5%	50V
C8531	1-128-357-11	ELECT CHIP	10μF	20%	16V	C8598	1-130-471-00	MYLAR	0.001μF	5%	50V
C8532	1-128-357-11	ELECT CHIP	10μF	20%	16V	C8599	1-126-193-11	ELECT CHIP	1μF	20%	50V
C8544	1-117-681-11	ELECT CHIP	100μF	20%	16V	C8600	1-126-193-11	ELECT CHIP	1μF	20%	50V
C8545	1-107-826-11	CERAMIC CHIP	0.1μF	10%	16V	C8601	1-126-193-11	ELECT CHIP	1μF	20%	50V
C8548	1-127-931-21	ELECT CHIP	470μF	20%	16V	C8602	1-162-968-11	CERAMIC CHIP	0.0047μF	10%	50V
C8550	1-165-908-11	CERAMIC CHIP	1μF	10%	10V	C8603	1-126-193-11	ELECT CHIP	1μF	20%	50V
C8551	1-165-908-11	CERAMIC CHIP	1μF	10%	10V	C8604	1-130-469-00	MYLAR	680pF	5%	50V
C8552	1-165-908-11	CERAMIC CHIP	1μF	10%	10V	C8605	1-162-968-11	CERAMIC CHIP	0.0047μF	10%	50V
C8553	1-165-908-11	CERAMIC CHIP	1μF	10%	10V	C8606	1-162-970-11	CERAMIC CHIP	0.01μF	10%	25V
C8559	1-127-931-21	ELECT CHIP	470μF	20%	16V	C8609	1-128-357-11	ELECT CHIP	10μF	20%	16V
C8560	1-107-826-11	CERAMIC CHIP	0.1μF	10%	16V	C8610	1-128-357-11	ELECT CHIP	10μF	20%	16V
C8561	1-136-167-00	FILM	0.15μF	5%	50V	C8611	1-124-779-00	ELECT CHIP	10μF	20%	16V
C8562	1-130-469-00	MYLAR	680pF	5%	50V	C8613	1-136-159-00	FILM	0.033μF	5%	50V
C8563	1-136-157-00	FILM	0.022μF	5%	50V	C8614	1-107-826-11	CERAMIC CHIP	0.1μF	10%	16V
C8564	1-130-471-00	MYLAR	0.001μF	5%	50V	C8616	1-128-994-21	ELECT CHIP	47μF	20%	10V
C8565	1-164-227-11	CERAMIC CHIP	0.022μF	10%	25V	C8617	1-117-681-11	ELECT CHIP	100μF	20%	16V
C8566	1-127-715-91	CERAMIC CHIP	0.22μF	10%	16V	C8618	1-137-190-91	FILM	0.22μF	5%	50V
C8567	1-162-970-11	CERAMIC CHIP	0.01μF	10%	25V	C8621	1-136-159-00	FILM	0.033μF	5%	50V
C8568	1-127-715-91	CERAMIC CHIP	0.22μF	10%	16V	C8622	1-137-190-91	FILM	0.22μF	5%	50V
C8569	1-128-934-91	CERAMIC CHIP	0.33μF	20%	10V	C8701	1-117-681-11	ELECT CHIP	100μF	20%	16V
C8570	1-117-681-11	ELECT CHIP	100μF	20%	16V	C8702	1-127-692-11	CERAMIC CHIP	10μF	10%	16V
C8571	1-162-968-11	CERAMIC CHIP	0.0047μF	10%	50V	C8703	1-107-826-11	CERAMIC CHIP	0.1μF	10%	16V
C8572	1-127-715-91	CERAMIC CHIP	0.22μF	10%	16V	C8704	1-127-931-21	ELECT CHIP	470μF	20%	16V
C8573	1-124-779-00	ELECT CHIP	10μF	20%	16V	C8705	1-162-964-11	CERAMIC CHIP	0.001μF	10%	50V
C8574	1-124-779-00	ELECT CHIP	10μF	20%	16V						
C8575	1-126-193-11	ELECT CHIP	1μF	20%	50V						



REF. NO.	PART NO.	DESCRIPTION	VALUES	REF. NO.	PART NO.	DESCRIPTION	VALUES		
<u>CONNECTOR</u>				FB8012	1-414-233-22	FERRITE	0μH		
*	CN8001	1-691-616-21	CONNECTOR, BOARD TO BOARD	15P	FB8013	1-414-233-22	FERRITE	0μH	
*	CN8002	1-580-974-11	CONNECTOR, BOARD TO BOARD		FB8016	1-414-229-11	FERRITE	0μH	
*	CN8003	1-818-749-11	PIN, CONNECTOR	16P	FB8017	1-414-229-11	FERRITE	0μH	
*	CN8004	1-818-748-11	PIN, CONNECTOR	14P	<u>FILTER</u>				
*	CN8005	1-816-958-11	DIN CONNECTOR (PLUG)	96P	FL8001	1-239-848-21	FILTER, LOW PASS		
*	CN8006	1-778-959-11	CONNECTOR, BOARD TO BOARD	6P	FL8002	1-239-848-21	FILTER, LOW PASS		
*	CN8008	1-785-532-11	PIN, CONNECTOR (PC BOARD)	14P	FL8003	1-239-848-21	FILTER, LOW PASS		
*	CN8009	1-564-507-11	PLUG, CONNECTOR	4P	<u>IC</u>				
	CN8039	1-695-915-11	TAB (CONTACT)		IC8001	8-753-204-12	IC	CXA2209Q-T6	
	CN8041	1-695-915-11	TAB (CONTACT)		IC8002	6-706-805-01	IC	TL52055DR	
<u>DIODE</u>					IC8200	8-759-278-58	IC	NJM4558V-TE2	
	D8001	8-719-977-28	DIODE	DTZ10B	IC8220	8-759-278-58	IC	NJM4558V-TE2	
	D8002	8-719-977-28	DIODE	DTZ10B	IC8301	8-752-394-69	IC	CXD2073Q-T4	
	D8003	8-719-914-43	DIODE	DAN202K	IC8302	6-702-510-01	IC	TPS5120DBTR	
	D8006	8-719-977-28	DIODE	DTZ10B	IC8303	8-752-102-21	IC	CXA2103AQ	
	D8007	8-719-977-28	DIODE	DTZ10B	IC8502	8-752-107-98	IC	CXA2188Q-T4	
	D8008	8-719-977-28	DIODE	DTZ10B	IC8504	6-702-716-01	IC	NJW1149	
	D8009	8-719-977-28	DIODE	DTZ10B	IC8505	8-759-278-58	IC	NJM4558V-TE2	
	D8010	8-719-977-28	DIODE	DTZ10B	IC8506	8-759-278-58	IC	NJM4558V-TE2	
	D8011	8-719-977-28	DIODE	DTZ10B	IC8701	6-704-407-01	IC	PQ1CZ41H2ZPH	
	D8023	8-719-158-02	DIODE	RD3.9SB2	<u>JACK</u>				
	D8200	8-719-041-97	DIODE	MA113-(TX)	J8001	1-565-790-21	JACK, SMALL TYPE	2P	
	D8201	8-719-081-97	DIODE	MMDL914T1	*	J8002	1-818-708-11	JACK, PIN	6P
	D8202	8-719-041-97	DIODE	MA113-(TX)	*	J8004	1-818-709-11	PHONO JACK	6P
	D8203	8-719-977-28	DIODE	DTZ10B	<u>COIL</u>				
	D8204	8-719-050-37	DIODE	M1MA152WA-T1	L8001	1-400-397-11	INDUCTOR	10μH	
	D8205	8-719-914-43	DIODE	DAN202K	L8002	1-400-397-11	INDUCTOR	10μH	
	D8301	8-719-081-67	DIODE	M1FM3	L8003	1-469-555-21	INDUCTOR	10μH	
	D8302	8-719-081-67	DIODE	M1FM3	L8004	1-469-320-21	INDUCTOR	100μH	
	D8305	8-719-056-78	DIODE	UDZ-TE-17-4.3B	L8006	1-469-317-21	INDUCTOR	10μH	
	D8306	8-719-056-78	DIODE	UDZ-TE-17-4.3B	L8008	1-469-320-21	INDUCTOR	100μH	
	D8307	8-719-081-97	DIODE	MMDL914T1	L8010	1-414-856-11	INDUCTOR	10μH	
	D8308	8-719-081-97	DIODE	MMDL914T1	L8011	1-414-856-11	INDUCTOR	10μH	
	D8501	8-719-071-74	DIODE	HZU11B1TRF	L8015	1-400-397-11	INDUCTOR	10μH	
	D8701	8-719-080-41	DIODE	RB063L-30TE25	L8016	1-400-397-11	INDUCTOR	10μH	
	D8702	6-500-294-01	DIODE	PTZ-TE25-3.9B	L8017	1-414-856-11	INDUCTOR	10μH	
<u>FERRITE BEAD</u>					L8018	1-414-856-11	INDUCTOR	10μH	
	FB8003	1-414-228-11	FERRITE	0μH	L8019	1-414-856-11	INDUCTOR	10μH	
	FB8004	1-216-295-91	SHORT CHIP		L8301	1-400-397-11	INDUCTOR	10μH	
	FB8005	1-216-295-91	SHORT CHIP		L8302	1-424-789-41	INDUCTOR	10μH	
	FB8006	1-216-295-91	SHORT CHIP						
	FB8007	1-216-295-91	SHORT CHIP						



REF. NO.	PART NO.	DESCRIPTION	VALUES			REF. NO.	PART NO.	DESCRIPTION	VALUES		
R8021	1-216-853-11	METAL CHIP	470K	5%	1/10W	R8074	1-218-889-11	METAL CHIP	56K	0.50%	1/10W
R8022	1-216-853-11	METAL CHIP	470K	5%	1/10W	R8075	1-216-829-11	METAL CHIP	4.7K	5%	1/10W
R8023	1-216-821-11	METAL CHIP	1K	5%	1/10W	R8076	1-216-821-11	METAL CHIP	1K	5%	1/10W
R8024	1-216-821-11	METAL CHIP	1K	5%	1/10W	R8077	1-216-813-11	METAL CHIP	220	5%	1/10W
R8025	1-216-833-11	METAL CHIP	10K	5%	1/10W	R8078	1-216-801-11	METAL CHIP	22	5%	1/10W
R8026	1-216-833-11	METAL CHIP	10K	5%	1/10W	R8079	1-216-801-11	METAL CHIP	22	5%	1/10W
R8027	1-216-821-11	METAL CHIP	1K	5%	1/10W	R8080	1-216-809-11	METAL CHIP	100	5%	1/10W
R8028	1-216-821-11	METAL CHIP	1K	5%	1/10W	R8081	1-216-809-11	METAL CHIP	100	5%	1/10W
R8029	1-218-665-11	METAL CHIP	75	0.50%	1/10W	R8082	1-216-833-11	METAL CHIP	10K	5%	1/10W
R8030	1-218-665-11	METAL CHIP	75	0.50%	1/10W	R8083	1-216-809-11	METAL CHIP	100	5%	1/10W
R8031	1-216-864-11	SHORT CHIP				R8084	1-216-843-11	METAL CHIP	68K	5%	1/10W
R8032	1-216-864-11	SHORT CHIP				R8085	1-216-809-11	METAL CHIP	100	5%	1/10W
R8033	1-218-665-11	METAL CHIP	75	0.50%	1/10W	R8086	1-216-809-11	METAL CHIP	100	5%	1/10W
R8034	1-216-808-11	METAL CHIP	82	5%	1/10W	R8087	1-216-809-11	METAL CHIP	100	5%	1/10W
R8035	1-216-807-11	METAL CHIP	68	5%	1/10W	R8088	1-216-809-11	METAL CHIP	100	5%	1/10W
R8036	1-216-809-11	METAL CHIP	100	5%	1/10W	R8089	1-216-809-11	METAL CHIP	100	5%	1/10W
R8037	1-216-809-11	METAL CHIP	100	5%	1/10W	R8091	1-216-821-11	METAL CHIP	1K	5%	1/10W
R8039	1-216-809-11	METAL CHIP	100	5%	1/10W	R8092	1-216-809-11	METAL CHIP	100	5%	1/10W
R8040	1-216-819-11	METAL CHIP	680	5%	1/10W	R8093	1-216-809-11	METAL CHIP	100	5%	1/10W
R8041	1-218-665-11	METAL CHIP	75	0.50%	1/10W	R8094	1-216-809-11	METAL CHIP	100	5%	1/10W
R8042	1-218-665-11	METAL CHIP	75	0.50%	1/10W	R8095	1-216-833-11	METAL CHIP	10K	5%	1/10W
R8043	1-216-809-11	METAL CHIP	100	5%	1/10W	R8096	1-216-809-11	METAL CHIP	100	5%	1/10W
R8044	1-216-821-11	METAL CHIP	1K	5%	1/10W	R8097	1-216-809-11	METAL CHIP	100	5%	1/10W
R8046	1-218-665-11	METAL CHIP	75	0.50%	1/10W	R8098	1-216-809-11	METAL CHIP	100	5%	1/10W
R8047	1-216-819-11	METAL CHIP	680	5%	1/10W	R8099	1-216-809-11	METAL CHIP	100	5%	1/10W
R8048	1-216-845-11	METAL CHIP	100K	5%	1/10W	R8100	1-216-809-11	METAL CHIP	100	5%	1/10W
R8049	1-216-864-11	SHORT CHIP				R8101	1-216-809-11	METAL CHIP	100	5%	1/10W
R8050	1-216-864-11	SHORT CHIP				R8102	1-216-809-11	METAL CHIP	100	5%	1/10W
R8051	1-216-821-11	METAL CHIP	1K	5%	1/10W	R8103	1-216-809-11	METAL CHIP	100	5%	1/10W
R8052	1-216-864-11	SHORT CHIP				R8104	1-216-809-11	METAL CHIP	100	5%	1/10W
R8053	1-216-821-11	METAL CHIP	1K	5%	1/10W	R8105	1-216-809-11	METAL CHIP	100	5%	1/10W
R8054	1-216-811-11	METAL CHIP	150	5%	1/10W	R8106	1-216-809-11	METAL CHIP	100	5%	1/10W
R8055	1-216-817-11	METAL CHIP	470	5%	1/10W	R8107	1-216-809-11	METAL CHIP	100	5%	1/10W
R8056	1-216-825-11	METAL CHIP	2.2K	5%	1/10W	R8108	1-216-809-11	METAL CHIP	100	5%	1/10W
R8057	1-216-824-11	METAL CHIP	1.8K	5%	1/10W	R8109	1-216-809-11	METAL CHIP	100	5%	1/10W
R8058	1-216-833-11	METAL CHIP	10K	5%	1/10W	R8110	1-216-809-11	METAL CHIP	100	5%	1/10W
R8059	1-216-821-11	METAL CHIP	1K	5%	1/10W	R8111	1-216-809-11	METAL CHIP	100	5%	1/10W
R8060	1-216-825-11	METAL CHIP	2.2K	5%	1/10W	R8112	1-216-809-11	METAL CHIP	100	5%	1/10W
R8061	1-216-824-11	METAL CHIP	1.8K	5%	1/10W	R8113	1-216-809-11	METAL CHIP	100	5%	1/10W
R8063	1-218-668-11	METAL CHIP	100	0.50%	1/10W	R8114	1-216-809-11	METAL CHIP	100	5%	1/10W
R8064	1-218-668-11	METAL CHIP	100	0.50%	1/10W	R8115	1-216-809-11	METAL CHIP	100	5%	1/10W
R8066	1-218-668-11	METAL CHIP	100	0.50%	1/10W	R8117	1-216-861-11	METAL CHIP	2.2M	5%	1/10W
R8068	1-216-821-11	METAL CHIP	1K	5%	1/10W	R8119	1-216-864-11	SHORT CHIP			
R8069	1-216-833-11	METAL CHIP	10K	5%	1/10W	R8120	1-216-864-11	SHORT CHIP			
R8070	1-216-821-11	METAL CHIP	1K	5%	1/10W	R8121	1-216-864-11	SHORT CHIP			
R8071	1-216-809-11	METAL CHIP	100	5%	1/10W	R8122	1-216-821-11	METAL CHIP	1K	5%	1/10W
R8072	1-216-843-11	METAL CHIP	68K	5%	1/10W	R8123	1-216-821-11	METAL CHIP	1K	5%	1/10W
R8073	1-216-857-11	METAL CHIP	1M	5%	1/10W	R8124	1-216-821-11	METAL CHIP	1K	5%	1/10W



REF. NO.	PART NO.	DESCRIPTION	VALUES			REF. NO.	PART NO.	DESCRIPTION	VALUES		
R8126	1-216-825-11	METAL CHIP	2.2K	5%	1/10W	R8207	1-216-837-11	METAL CHIP	22K	5%	1/10W
R8127	1-216-801-11	METAL CHIP	22	5%	1/10W	R8208	1-216-857-11	METAL CHIP	1M	5%	1/10W
R8128	1-216-801-11	METAL CHIP	22	5%	1/10W	R8209	1-216-828-11	METAL CHIP	3.9K	5%	1/10W
R8130	1-216-864-11	SHORT CHIP				R8210	1-218-867-11	METAL CHIP	6.8K	0.50%	1/10W
R8131	1-216-809-11	METAL CHIP	100	5%	1/10W	R8211	1-216-821-11	METAL CHIP	1K	5%	1/10W
R8137	1-216-829-11	METAL CHIP	4.7K	5%	1/10W	R8212	1-216-833-11	METAL CHIP	10K	5%	1/10W
R8138	1-216-833-11	METAL CHIP	10K	5%	1/10W	R8213	1-216-833-11	METAL CHIP	10K	5%	1/10W
R8139	1-216-839-11	METAL CHIP	33K	5%	1/10W	R8214	1-218-867-11	METAL CHIP	6.8K	0.50%	1/10W
R8140	1-216-837-11	METAL CHIP	22K	5%	1/10W	R8215	1-216-829-11	METAL CHIP	4.7K	5%	1/10W
R8141	1-216-847-11	METAL CHIP	150K	5%	1/10W	R8216	1-218-867-11	METAL CHIP	6.8K	0.50%	1/10W
R8142	1-216-833-11	METAL CHIP	10K	5%	1/10W	R8217	1-216-809-11	METAL CHIP	100	5%	1/10W
R8143	1-216-825-11	METAL CHIP	2.2K	5%	1/10W	R8218	1-216-829-11	METAL CHIP	4.7K	5%	1/10W
R8144	1-218-678-11	METAL CHIP	270	0.50%	1/10W	R8219	1-216-809-11	METAL CHIP	100	5%	1/10W
R8145	1-218-678-11	METAL CHIP	270	0.50%	1/10W	R8220	1-216-864-11	SHORT CHIP			
R8146	1-218-678-11	METAL CHIP	270	0.50%	1/10W	R8223	1-216-864-11	SHORT CHIP			
R8147	1-218-678-11	METAL CHIP	270	0.50%	1/10W	R8224	1-216-848-11	METAL CHIP	180K	5%	1/10W
R8148	1-218-678-11	METAL CHIP	270	0.50%	1/10W	R8225	1-216-823-11	METAL CHIP	1.5K	5%	1/10W
R8149	1-218-678-11	METAL CHIP	270	0.50%	1/10W	R8226	1-216-864-11	SHORT CHIP			
R8150	1-216-857-11	METAL CHIP	1M	5%	1/10W	R8227	1-216-848-11	METAL CHIP	180K	5%	1/10W
R8151	1-216-847-11	METAL CHIP	150K	5%	1/10W	R8228	1-216-823-11	METAL CHIP	1.5K	5%	1/10W
R8152	1-216-823-11	METAL CHIP	1.5K	5%	1/10W	R8229	1-216-822-11	METAL CHIP	1.2K	5%	1/10W
R8153	1-216-825-11	METAL CHIP	2.2K	5%	1/10W	R8230	1-216-864-11	SHORT CHIP			
R8155	1-216-845-11	METAL CHIP	100K	5%	1/10W	R8231	1-216-841-11	METAL CHIP	47K	5%	1/10W
R8156	1-216-849-11	METAL CHIP	220K	5%	1/10W	R8233	1-216-830-11	METAL CHIP	5.6K	5%	1/10W
R8158	1-216-833-11	METAL CHIP	10K	5%	1/10W	R8234	1-216-816-11	METAL CHIP	390	5%	1/10W
R8159	1-216-849-11	METAL CHIP	220K	5%	1/10W	R8235	1-216-822-11	METAL CHIP	1.2K	5%	1/10W
R8161	1-216-849-11	METAL CHIP	220K	5%	1/10W	R8236	1-216-841-11	METAL CHIP	47K	5%	1/10W
R8162	1-216-813-11	METAL CHIP	220	5%	1/10W	R8238	1-216-830-11	METAL CHIP	5.6K	5%	1/10W
R8163	1-216-845-11	METAL CHIP	100K	5%	1/10W	R8239	1-216-816-11	METAL CHIP	390	5%	1/10W
R8165	1-216-841-11	METAL CHIP	47K	5%	1/10W	R8240	1-216-864-11	SHORT CHIP			
R8167	1-216-833-11	METAL CHIP	10K	5%	1/10W	R8241	1-216-864-11	SHORT CHIP			
R8168	1-216-829-11	METAL CHIP	4.7K	5%	1/10W	R8242	1-216-829-11	METAL CHIP	4.7K	5%	1/10W
R8171	1-216-833-11	METAL CHIP	10K	5%	1/10W	R8243	1-216-829-11	METAL CHIP	4.7K	5%	1/10W
R8172	1-216-845-11	METAL CHIP	100K	5%	1/10W	R8244	1-216-835-11	METAL CHIP	15K	5%	1/10W
R8173	1-216-833-11	METAL CHIP	10K	5%	1/10W	R8245	1-216-835-11	METAL CHIP	15K	5%	1/10W
R8176	1-216-864-11	SHORT CHIP				R8246	1-216-835-11	METAL CHIP	15K	5%	1/10W
R8178	1-216-857-11	METAL CHIP	1M	5%	1/10W	R8247	1-216-835-11	METAL CHIP	15K	5%	1/10W
R8179	1-216-847-11	METAL CHIP	150K	5%	1/10W	R8248	1-216-827-11	METAL CHIP	3.3K	5%	1/10W
R8182	1-216-825-11	METAL CHIP	2.2K	5%	1/10W	R8249	1-216-827-11	METAL CHIP	3.3K	5%	1/10W
R8190	1-216-809-11	METAL CHIP	100	5%	1/10W	R8250	1-216-864-11	SHORT CHIP			
R8191	1-216-809-11	METAL CHIP	100	5%	1/10W	R8251	1-216-864-11	SHORT CHIP			
R8200	1-216-864-11	SHORT CHIP				R8252	1-216-864-11	SHORT CHIP			
R8201	1-216-833-11	METAL CHIP	10K	5%	1/10W	R8254	1-218-676-11	METAL CHIP	220	0.50%	1/10W
R8202	1-216-864-11	SHORT CHIP				R8255	1-218-676-11	METAL CHIP	220	0.50%	1/10W
R8203	1-216-836-11	METAL CHIP	18K	5%	1/10W	R8256	1-218-676-11	METAL CHIP	220	0.50%	1/10W
R8204	1-216-838-11	METAL CHIP	27K	5%	1/10W	R8257	1-218-676-11	METAL CHIP	220	0.50%	1/10W
R8205	1-216-841-11	METAL CHIP	47K	5%	1/10W	R8258	1-218-676-11	METAL CHIP	220	0.50%	1/10W
R8206	1-216-864-11	SHORT CHIP				R8259	1-218-676-11	METAL CHIP	220	0.50%	1/10W



REF. NO.	PART NO.	DESCRIPTION	VALUES			REF. NO.	PART NO.	DESCRIPTION	VALUES		
R8260	1-218-676-11	METAL CHIP	220	0.50%	1/10W	R8334	1-216-864-11	SHORT CHIP			
R8261	1-218-676-11	METAL CHIP	220	0.50%	1/10W	R8336	1-216-839-11	METAL CHIP	33K	5%	1/10W
R8262	1-218-676-11	METAL CHIP	220	0.50%	1/10W	R8337	1-216-837-11	METAL CHIP	22K	5%	1/10W
R8263	1-218-676-11	METAL CHIP	220	0.50%	1/10W	R8338	1-216-809-11	METAL CHIP	100	5%	1/10W
R8264	1-218-676-11	METAL CHIP	220	0.50%	1/10W	R8339	1-216-845-11	METAL CHIP	100K	5%	1/10W
R8265	1-218-676-11	METAL CHIP	220	0.50%	1/10W	R8340	1-216-809-11	METAL CHIP	100	5%	1/10W
R8269	1-216-809-11	METAL CHIP	100	5%	1/10W	R8341	1-216-797-11	METAL CHIP	10	5%	1/10W
R8275	1-216-803-11	METAL CHIP	33	5%	1/10W	R8342	1-216-821-11	METAL CHIP	1K	5%	1/10W
R8276	1-216-825-11	METAL CHIP	2.2K	5%	1/10W	R8343	1-216-821-11	METAL CHIP	1K	5%	1/10W
R8277	1-216-805-11	METAL CHIP	47	5%	1/10W	R8344	1-216-817-11	METAL CHIP	470	5%	1/10W
R8278	1-216-805-11	METAL CHIP	47	5%	1/10W	R8345	1-216-817-11	METAL CHIP	470	5%	1/10W
R8279	1-216-805-11	METAL CHIP	47	5%	1/10W	R8346	1-218-841-11	METAL CHIP	560	0.50%	1/10W
R8280	1-216-805-11	METAL CHIP	47	5%	1/10W	R8347	1-218-867-11	METAL CHIP	6.8K	0.50%	1/10W
R8281	1-216-805-11	METAL CHIP	47	5%	1/10W	R8348	1-216-797-11	METAL CHIP	10	5%	1/10W
R8282	1-216-805-11	METAL CHIP	47	5%	1/10W	R8349	1-218-841-11	METAL CHIP	560	0.50%	1/10W
R8301	1-216-809-11	METAL CHIP	100	5%	1/10W	R8350	1-216-825-11	METAL CHIP	2.2K	5%	1/10W
R8302	1-216-821-11	METAL CHIP	1K	5%	1/10W	R8351	1-218-867-11	METAL CHIP	6.8K	0.50%	1/10W
R8303	1-218-841-11	METAL CHIP	560	0.50%	1/10W	R8352	1-218-865-11	METAL CHIP	5.6K	0.50%	1/10W
R8304	1-216-846-11	METAL CHIP	120K	5%	1/10W	R8353	1-218-865-11	METAL CHIP	5.6K	0.50%	1/10W
R8305	1-218-864-11	METAL CHIP	5.1K	0.50%	1/10W	R8354	1-216-817-11	METAL CHIP	470	5%	1/10W
R8306	1-218-841-11	METAL CHIP	560	0.50%	1/10W	R8355	1-216-817-11	METAL CHIP	470	5%	1/10W
R8307	1-216-845-11	METAL CHIP	100K	5%	1/10W	R8356	1-216-835-11	METAL CHIP	15K	5%	1/10W
R8308	1-216-845-11	METAL CHIP	100K	5%	1/10W	R8357	1-216-821-11	METAL CHIP	1K	5%	1/10W
R8309	1-216-850-11	METAL CHIP	270K	5%	1/10W	R8358	1-216-821-11	METAL CHIP	1K	5%	1/10W
R8310	1-218-841-11	METAL CHIP	560	0.50%	1/10W	R8360	1-216-821-11	METAL CHIP	1K	5%	1/10W
R8311	1-216-821-11	METAL CHIP	1K	5%	1/10W	R8361	1-216-833-11	METAL CHIP	10K	5%	1/10W
R8312	1-218-716-11	METAL CHIP	10K	0.50%	1/10W	R8362	1-216-828-11	METAL CHIP	3.9K	5%	1/10W
R8313	1-218-716-11	METAL CHIP	10K	0.50%	1/10W	R8363	1-216-864-11	SHORT CHIP			
R8314	1-216-821-11	METAL CHIP	1K	5%	1/10W	R8364	1-216-864-11	SHORT CHIP			
R8315	1-218-889-11	METAL CHIP	56K	0.50%	1/10W	R8365	1-216-864-11	SHORT CHIP			
R8316	1-216-819-11	METAL CHIP	680	5%	1/10W	R8366	1-216-809-11	METAL CHIP	100	5%	1/10W
R8317	1-216-819-11	METAL CHIP	680	5%	1/10W	R8367	1-216-809-11	METAL CHIP	100	5%	1/10W
R8318	1-216-815-11	METAL CHIP	330	5%	1/10W	R8368	1-216-801-11	METAL CHIP	22	5%	1/10W
R8319	1-218-704-11	METAL CHIP	3.3K	0.50%	1/10W	R8369	1-216-801-11	METAL CHIP	22	5%	1/10W
R8320	1-216-815-11	METAL CHIP	330	5%	1/10W	R8370	1-216-789-11	METAL CHIP	2.2	5%	1/10W
R8321	1-218-704-11	METAL CHIP	3.3K	0.50%	1/10W	R8406	1-216-864-11	SHORT CHIP			
R8322	1-218-726-11	METAL CHIP	27K	0.50%	1/10W	R8407	1-216-821-11	METAL CHIP	1K	5%	1/10W
R8323	1-218-722-11	METAL CHIP	18K	0.50%	1/10W	R8408	1-216-864-11	SHORT CHIP			
R8324	1-216-811-11	METAL CHIP	150	5%	1/10W	R8410	1-216-821-11	METAL CHIP	1K	5%	1/10W
R8325	1-216-821-11	METAL CHIP	1K	5%	1/10W	R8411	1-216-801-11	METAL CHIP	22	5%	1/10W
R8326	1-216-821-11	METAL CHIP	1K	5%	1/10W	R8412	1-216-825-11	METAL CHIP	2.2K	5%	1/10W
R8327	1-216-812-11	METAL CHIP	180	5%	1/10W	R8413	1-216-801-11	METAL CHIP	22	5%	1/10W
R8328	1-218-859-11	METAL CHIP	3.3K	0.50%	1/10W	R8414	1-216-821-11	METAL CHIP	1K	5%	1/10W
R8329	1-216-825-11	METAL CHIP	2.2K	5%	1/10W	R8415	1-216-811-11	METAL CHIP	150	5%	1/10W
R8330	1-216-839-11	METAL CHIP	33K	5%	1/10W	R8436	1-216-825-11	METAL CHIP	2.2K	5%	1/10W
R8331	1-216-837-11	METAL CHIP	22K	5%	1/10W	R8437	1-216-825-11	METAL CHIP	2.2K	5%	1/10W
R8332	1-218-855-11	METAL CHIP	2.2K	0.50%	1/10W	R8438	1-216-833-11	METAL CHIP	10K	5%	1/10W
R8333	1-218-859-11	METAL CHIP	3.3K	0.50%	1/10W	R8439	1-216-825-11	METAL CHIP	2.2K	5%	1/10W

NOTE: The components identified by shading and \triangle mark are critical for safety. Replace only with part number specified.

NOTE: Les composants identifiés par un trame et une marque \triangle sont critiques pour la sécurité. Ne les remplacer que par une pièce portant le numéro spécifique.



REF. NO.	PART NO.	DESCRIPTION	VALUES	REF. NO.	PART NO.	DESCRIPTION	VALUES
VD8016	1-803-974-21	VARISTOR, CHIP	(1608)	CONNECTOR			
VD8017	1-803-974-21	VARISTOR, CHIP	(1608)	* \triangle CN1900	1-580-843-11	PIN, CONNECTOR (POWER)	
VD8018	1-803-974-21	VARISTOR, CHIP	(1608)	CN1902	1-695-915-11	TAB (CONTACT)	
VD8019	1-803-974-21	VARISTOR, CHIP	(1608)	CN1903	1-695-915-11	TAB (CONTACT)	
VD8020	1-803-974-21	VARISTOR, CHIP	(1608)	CN1906	1-695-915-11	TAB (CONTACT)	
VD8021	1-803-974-21	VARISTOR, CHIP	(1608)	* \triangle CN1909	1-580-689-31	PIN, CONNECTOR (PC BOARD)	4P
VD8022	1-803-974-21	VARISTOR, CHIP	(1608)	DIODE			
VD8023	1-803-974-21	VARISTOR, CHIP	(1608)	\triangle D1900	8-719-077-76	DIODE	D2SB60A-F04
VD8024	1-803-974-21	VARISTOR, CHIP	(1608)	D1906	8-719-069-55	DIODE	UDZSTE-175.6B
CRYSTAL				D1907	6-500-849-01	DIODE	ERA22-08KFLB
X8001	1-781-282-11	VIBRATOR, CERAMIC		D1908	8-719-404-50	DIODE	MA111-TX
X8301	1-781-132-21	VIBRATOR, CRYSTAL		D1909	6-500-567-31	DIODE	10ERB20-TB3
F				D1911	8-719-948-45	DIODE	ERA22-08
*	A-1060-176-A	F BOARD, COMPLETE		D1912	8-719-028-45	DIODE	D2L20U
CAPACITOR				D1913	8-719-404-50	DIODE	MA111-TX
\triangle C1901	1-161-964-91	CERAMIC	0.0047 μ F 250V	D1914	8-719-080-75	DIODE	M1FL20U-4063
\triangle C1902	1-161-964-91	CERAMIC	0.0047 μ F 250V	FUSE			
\triangle C1903	1-165-530-31	MYLAR	0.47 μ F 10 0V	\triangle F1900	1-576-193-11	FUSE	6.3A 1 25V
\triangle C1904	1-161-964-91	CERAMIC	0.0047 μ F 250V	FERRITE BEAD			
\triangle C1905	1-161-964-91	CERAMIC	0.0047 μ F 250V	FB1900	1-469-869-21	FERRITE	0 μ H
C1906	1-107-652-11	ELECT	10 μ F 20% 250V	FUSE HOLDER			
C1907	1-107-974-11	CERAMIC	47pF 5% 2KV	\triangle FH1900	1-533-223-11	FUSE HOLDER	0A 0V
\triangle C1908	1-119-888-51	CERAMIC	2200pF 20% 250V	\triangle FH1901	1-533-223-11	FUSE HOLDER	0A 0V
\triangle C1909	1-119-888-51	CERAMIC	2200pF 20% 250V	IC			
C1910	1-115-872-11	ELECT	2.2 μ F 20% 50V	IC1900	6-600-279-01	IC	STR-A6169
C1911	1-162-964-11	CERAMIC CHIP	0.001 μ F 10% 50V	IC1901	8-759-682-42	IC	MM1431ATT
C1912	1-104-331-11	CERAMIC	0.0022 μ F 10% 1KV	COIL			
C1913	1-126-794-11	ELECT	4.7 μ F 20% 50V	L1900	1-412-537-31	INDUCTOR	100 μ H
\triangle C1915	1-165-530-31	MYLAR	0.47 μ F 10 0V	PHOTO COUPLER			
C1916	1-107-826-11	CERAMIC CHIP	0.1 μ F 10% 16V	\triangle PH1901	8-749-924-35	PHOTO COUPLER	ON3171-R
C1918	1-131-872-91	CERAMIC CHIP	1000pF 10% 630V	\triangle PH1902	8-749-924-35	PHOTO COUPLER	ON3171-R
C1919	1-107-884-11	ELECT	1000 μ F 20% 16V				
C1920	1-107-826-11	CERAMIC CHIP	0.1 μ F 10% 16V				
C1921	1-126-923-91	ELECT	220 μ F 20% 10V				
C1922	1-126-947-11	ELECT	47 μ F 20% 35V				
WIRE PIN							
*	CLP1900	4-042-408-02	PIN(45), WIRE				

NOTE: The components identified by shading and \triangle mark are critical for safety. Replace only with part number specified.

NOTE: Les composants identifiés par un trame et une marque \triangle sont critiques pour la sécurité. Ne les remplacer que par une pièce portant le numéro spécifique.

F G1

REF. NO.	PART NO.	DESCRIPTION	VALUES			REF. NO.	PART NO.	DESCRIPTION	VALUES														
RESISTOR						<div style="border: 1px solid black; padding: 5px; display: inline-block; font-size: 2em; font-weight: bold;">G1</div> * A-1060-177-A G1 BOARD, COMPLETE 4-382-854-01 SCREW (M3X8), P, SW (+) CAPACITOR																	
\triangle R1900	1-247-289-00	METAL	8.2M	5%	1W																		
R1903	1-219-759-11	METAL	1M	5%	1/2W																		
R1904	1-249-389-11	CARBON	4.7	5%	1/4W																		
R1905	1-216-150-91	RES-CHIP	10	5%	1/8W																		
R1906	1-216-150-91	RES-CHIP	10	5%	1/8W																		
R1907	1-216-150-91	RES-CHIP	10	5%	1/8W																		
R1908	1-216-150-91	RES-CHIP	10	5%	1/8W																		
R1909	1-218-642-11	METAL OXIDE	100K	5%	1W																		
R1910	1-216-864-11	SHORT CHIP																					
R1911	1-249-393-11	CARBON	10	5%	1/4W																		
R1913	1-202-962-11	CEMENTED	3.3	5%	10W																		
R1914	1-216-864-11	SHORT CHIP																					
R1915	1-260-328-11	CARBON	1K	5%	1/2W																		
R1916	1-216-829-11	METAL CHIP	4.7K	5%	1/10W																		
R1917	1-249-389-11	CARBON	4.7	5%	1/4W																		
R1918	1-216-821-11	METAL CHIP	1K	5%	1/10W																		
R1919	1-216-817-11	METAL CHIP	470	5%	1/10W																		
R1920	1-216-864-11	SHORT CHIP																					
R1921	1-216-829-11	METAL CHIP	4.7K	5%	1/10W																		
R1922	1-216-821-11	METAL CHIP	1K	5%	1/10W																		
R1923	1-216-839-11	METAL CHIP	33K	5%	1/10W																		
R1925	1-218-708-11	METAL CHIP	4.7K	0.50%	1/10W																		
R1926	1-218-709-11	METAL CHIP	5.1K	0.50%	1/10W																		
R1927	1-249-389-11	CARBON	4.7	5%	1/4W																		
RELAY						<div style="border: 1px solid black; padding: 5px; display: inline-block; font-size: 2em; font-weight: bold;">G1</div> * A-1060-177-A G1 BOARD, COMPLETE 4-382-854-01 SCREW (M3X8), P, SW (+) CAPACITOR																	
\triangle RY1900	1-755-388-11	RELAY (AC POWER)																					
\triangle RY1901	1-755-388-11	RELAY (AC POWER)																					
TRANSFORMER												<div style="border: 1px solid black; padding: 5px; display: inline-block; font-size: 2em; font-weight: bold;">G1</div> * A-1060-177-A G1 BOARD, COMPLETE 4-382-854-01 SCREW (M3X8), P, SW (+) CAPACITOR											
\triangle T1900	1-456-859-11	LINE FILTER COIL																					
\triangle T1901	1-456-859-11	LINE FILTER COIL																					
\triangle T1902	1-443-312-11	TRANSFORMER, CONVERTER (SBT)																					
THERMISTOR																		<div style="border: 1px solid black; padding: 5px; display: inline-block; font-size: 2em; font-weight: bold;">G1</div> * A-1060-177-A G1 BOARD, COMPLETE 4-382-854-01 SCREW (M3X8), P, SW (+) CAPACITOR					
\triangle TH1901	1-803-586-41	THERMISTOR																					
VARISTOR																							
\triangle VD1901	1-804-992-21	VARISTOR																					
VD1902	1-804-992-21	VARISTOR																					
RESISTOR						<div style="border: 1px solid black; padding: 5px; display: inline-block; font-size: 2em; font-weight: bold;">G1</div> * A-1060-177-A G1 BOARD, COMPLETE 4-382-854-01 SCREW (M3X8), P, SW (+) CAPACITOR																	
C1600	1-137-639-21	MYLAR	0.47 μ F	10%	450V																		
C1601	1-162-964-11	CERAMIC CHIP	0.001 μ F	10%	50V																		
C1602	1-126-967-11	ELECT	47 μ F	20%	50V																		
C1604	1-126-959-11	ELECT	0.47 μ F	20%	50V																		
C1605	1-126-964-11	ELECT	10 μ F	20%	50V																		
C1606	1-162-970-11	CERAMIC CHIP	0.01 μ F	10%	25V																		
C1607	1-100-831-91	CERAMIC CHIP	0.001 μ F	2%	50V																		
C1608	1-162-970-11	CERAMIC CHIP	0.01 μ F	10%	25V																		
C1609	1-136-497-81	FILM	0.1 μ F	5%	50V																		
C1610	1-126-947-11	ELECT	47 μ F	20%	35V																		
C1614	1-117-219-11	CERAMIC	68pF	5%	1KV																		
C1615	1-117-219-11	CERAMIC	68pF	5%	1KV																		
C1616	1-100-624-11	FILM	4700pF	3%	800V																		
C1617	1-126-968-11	ELECT	100 μ F	20%	50V																		
C1618	1-135-372-31	ELECT	470 μ F	20%	10V																		
C1620	1-128-951-31	ELECT	2200 μ F	20%	16V																		
C1621	1-126-933-11	ELECT	100 μ F	20%	16V																		
C1623	1-162-970-11	CERAMIC CHIP	0.01 μ F	10%	25V																		
C1624	1-126-935-11	ELECT	470 μ F	20%	16V																		
C1627	1-126-933-11	ELECT	100 μ F	20%	16V																		
\triangle C1629	1-161-964-91	CERAMIC	0.0047 μ F		250V																		
\triangle C1630	1-161-964-91	CERAMIC	0.0047 μ F		250V																		
\triangle C1631	1-161-964-91	CERAMIC	0.0047 μ F		250V																		
\triangle C1632	1-161-964-91	CERAMIC	0.0047 μ F		250V																		
C1647	1-107-826-11	CERAMIC CHIP	0.1 μ F	10%	16V																		
C1649	1-162-970-11	CERAMIC CHIP	0.01 μ F	10%	25V																		
C1650	1-107-909-11	ELECT	47 μ F	20%	50V																		
C1651	1-107-904-11	ELECT	3.3 μ F	20%	50V																		
C1652	1-162-970-11	CERAMIC CHIP	0.01 μ F	10%	25V																		
C1653	1-100-831-91	CERAMIC CHIP	0.001 μ F	2%	50V																		
C1655	1-107-906-11	ELECT	10 μ F	20%	50V																		
C1657	1-162-970-11	CERAMIC CHIP	0.01 μ F	10%	25V																		
C1658	1-136-497-81	FILM	0.1 μ F	5%	50V																		
C1659	1-107-888-11	ELECT	47 μ F	20%	25V																		
C1660	1-107-826-11	CERAMIC CHIP	0.1 μ F	10%	16V																		
C1661	1-107-824-11	CERAMIC	220pF	5%	1KV																		
C1662	1-107-824-11	CERAMIC	220pF	5%	1KV																		
C1663	1-165-954-11	FILM	56000pF	3%	800V																		
C1664	1-107-894-11	ELECT	220 μ F	20%	35V																		
C1665	1-107-905-11	ELECT	4.7 μ F	20%	50V																		



NOTE: The components identified by shading and \triangle mark are critical for safety. Replace only with part number specified.

NOTE: Les composants identifiés par un trame et une marque \triangle sont critiques pour la sécurité. Ne les remplacer que par une pièce portant le numéro spécifique.

REF. NO.	PART NO.	DESCRIPTION	VALUES	REF. NO.	PART NO.	DESCRIPTION	VALUES
C1668	1-107-905-11	ELECT	4.7 μ F 20% 50V	D1608	8-719-022-97	DIODE	D2S4UF
C1669	1-107-826-11	CERAMIC CHIP	0.1 μ F 10% 16V	D1609	8-719-510-12	DIODE	D10SC4M
C1670	1-162-970-11	CERAMIC CHIP	0.01 μ F 10% 25V	D1610	8-719-068-71	DIODE	PTZ-TE25-13A
C1671	1-126-967-11	ELECT	47 μ F 20% 50V	\triangle D1611	8-719-026-63	DIODE	D10XB60S
C1673	1-165-733-31	ELECT	100 μ F 20% 25V	D1619	8-719-082-03	DIODE	MM3Z15VT1
\triangle C1674	1-165-530-31	MYLAR	0.47 μ F 10 0V	D1620	8-719-082-03	DIODE	MM3Z15VT1
C1676	1-137-921-31	ELECT	1500 μ F 20% 10V	D1621	8-719-082-03	DIODE	MM3Z15VT1
C1677	1-131-975-11	ELECT	1200 μ F 20% 10V	D1622	8-719-979-64	DIODE	μ F4005PKG23
C1678	1-128-951-31	ELECT	2200 μ F 20% 16V	D1623	8-719-082-03	DIODE	MM3Z15VT1
C1679	1-128-950-31	ELECT	1000 μ F 20% 16V	D1624	8-719-082-03	DIODE	MM3Z15VT1
C1680	1-128-582-11	ELECT	10 μ F 20% 100V	D1625	8-719-081-97	DIODE	MMDL914T1
C1681	1-137-190-91	FILM	0.22 μ F 5% 50V	D1626	6-500-567-31	DIODE	10ERB20-TB3
C1683	1-126-768-11	ELECT	2200 μ F 20% 16V	D1627	8-719-081-97	DIODE	MMDL914T1
C1684	1-126-767-11	ELECT	1000 μ F 20% 16V	D1629	8-719-028-45	DIODE	D2L20U
C1687	1-162-964-11	CERAMIC CHIP	0.001 μ F 10% 50V	D1630	8-719-510-12	DIODE	D10SC4M
C1688	1-162-964-11	CERAMIC CHIP	0.001 μ F 10% 50V	D1631	8-719-510-12	DIODE	D10SC4M
C1689	1-162-964-11	CERAMIC CHIP	0.001 μ F 10% 50V	D1632	8-719-404-50	DIODE	MA111-TX
C1694	1-128-955-31	ELECT	2200 μ F 20% 25V	D1633	8-719-510-12	DIODE	D10SC4M
C1695	1-162-964-11	CERAMIC CHIP	0.001 μ F 10% 50V	D1634	8-719-510-12	DIODE	D10SC4M
\triangle C1706	1-137-750-11	ELECT	1500 μ F 20% 250V	D1635	8-719-063-73	DIODE	D1NL20U-TR
\triangle C1707	1-137-750-11	ELECT	1500 μ F 20% 250V	D1636	8-719-404-50	DIODE	MA111-TX
C1712	1-100-714-11	ELECT	100 μ F 20% 400V	D1637	8-719-404-50	DIODE	MA111-TX
C1713	1-100-714-11	ELECT	100 μ F 20% 400V	D1638	8-719-404-50	DIODE	MA111-TX
C1714	1-161-830-00	CERAMIC	0.0047 μ F 500V	D1639	8-719-404-50	DIODE	MA111-TX
C1715	1-126-964-11	ELECT	10 μ F 20% 50V	\triangle D1640	8-719-060-89	DIODE	D4SBS6-F
C1716	1-128-581-11	ELECT	4.7 μ F 20% 100V	D1641	8-719-063-73	DIODE	D1NL20U-TR
C1717	1-137-190-91	FILM	0.22 μ F 5% 50V	D1643	8-719-068-00	DIODE	ERC04-06SE
WIRE PIN				D1644	8-719-068-00	DIODE	ERC04-06SE
* CLP1600	4-042-408-02	PIN(45), WIRE		D1645	8-719-064-49	DIODE	D4SBL40
CONNECTOR				D1646	6-500-567-21	DIODE	10ERB20-TB5
* \triangle CN1601	1-580-689-11	PIN, CONNECTOR (PC BOARD)	4P	D1647	8-719-983-37	DIODE	MTZJ-T-77-36A
* CN1602	1-691-960-21	PIN, CONNECTOR (PC BOARD)	3P	FERRITE BEAD			
CN1603	1-764-101-11	PIN, CONNECTOR (PC BOARD)	2P	FB1600	1-410-397-21	FERRITE	1.1 μ H
* CN1605	1-793-923-11	CONNECTOR, DIN (PLUG)	64P	FB1606	1-410-397-21	FERRITE	1.1 μ H
CN1607	1-695-915-11	TAB (CONTACT)		IC			
DIODE				IC1600	6-705-810-01	IC	MCZ3001DB
D1600	8-719-082-03	DIODE	MM3Z15VT1	IC1601	8-759-586-17	IC	TL1431CZ-AP
D1601	8-719-083-78	DIODE	10ERA60-TP	IC1602	8-759-470-65	IC	PQ05RD1B
D1602	8-719-082-03	DIODE	MM3Z15VT1	IC1606	6-705-810-01	IC	MCZ3001DB
D1603	8-719-082-03	DIODE	MM3Z15VT1	IC1607	8-759-682-42	IC	MM1431ATT
D1604	8-719-082-03	DIODE	MM3Z15VT1	IC1608	6-705-958-01	IC	PQ15RW21J00H
D1605	8-719-082-03	DIODE	MM3Z15VT1	IC1609	6-705-958-01	IC	PQ15RW21J00H
D1607	6-500-567-21	DIODE	10ERB20-TB5				

NOTE: The components identified by shading and \triangle mark are critical for safety. Replace only with part number specified.

NOTE: Les composants identifiés par un triangle et une marque \triangle sont critiques pour la sécurité. Ne les remplacer que par une pièce portant le numéro spécifié.

REF. NO.	PART NO.	DESCRIPTION	VALUES	REF. NO.	PART NO.	DESCRIPTION	VALUES
COIL				R1619	1-216-821-11	METAL CHIP	1K 5% 1/10W
L1600	1-412-537-31	INDUCTOR	100 μ H	R1620	1-216-864-11	SHORT CHIP	
L1601	1-412-525-31	INDUCTOR	10 μ H	R1621	1-216-821-11	METAL CHIP	1K 5% 1/10W
L1602	1-406-659-11	INDUCTOR	10 μ H	R1622	1-249-393-11	CARBON	10 5% 1/4W
L1603	1-412-519-11	INDUCTOR	3.3 μ H	R1623	1-216-833-11	METAL CHIP	10K 5% 1/10W
L1607	1-412-525-31	INDUCTOR	10 μ H	R1625	1-218-867-11	METAL CHIP	6.8K 0.50% 1/10W
L1611	1-412-525-31	INDUCTOR	10 μ H	R1626	1-218-877-11	METAL CHIP	18K 0.50% 1/10W
L1614	1-412-519-11	INDUCTOR	3.3 μ H	R1628	1-216-295-91	SHORT CHIP	
L1616	1-406-983-11	INDUCTOR	1MH	R1629	1-216-295-91	SHORT CHIP	
				R1630	1-216-295-91	SHORT CHIP	
PHOTO COUPLER				R1654	1-260-288-11	CARBON	0.47 5% 1/2W
\triangle PH1600	8-749-924-35	PHOTO COUPLER	ON3171-R	R1655	1-260-288-11	CARBON	0.47 5% 1/2W
\triangle PH1602	8-749-924-35	PHOTO COUPLER	ON3171-R	R1656	1-215-904-11	METAL OXIDE	100K 5% 2W
\triangle PH1603	8-749-924-35	PHOTO COUPLER	ON3171-R	R1657	1-215-904-11	METAL OXIDE	100K 5% 2W
				R1668	1-216-837-11	METAL CHIP	22K 5% 1/10W
TRANSISTOR				R1669	1-216-833-11	METAL CHIP	10K 5% 1/10W
Q1600	8-729-052-29	TRANSISTOR	2SK2876-01MR-F122	R1670	1-202-933-61	FUSIBLE	0.1 10% 1/2W
Q1601	8-729-052-29	TRANSISTOR	2SK2876-01MR-F122	R1672	1-216-833-11	METAL CHIP	10K 5% 1/10W
Q1602	8-729-140-96	TRANSISTOR	2SD774-34	R1673	1-218-823-11	METAL CHIP	100 0.50% 1/10W
Q1606	8-729-120-28	TRANSISTOR	2SC1623-L5L6	R1674	1-218-870-11	METAL CHIP	9.1K 0.50% 1/10W
Q1609	8-729-120-28	TRANSISTOR	2SC1623-L5L6	R1680	1-216-864-11	SHORT CHIP	
Q1612	8-729-120-28	TRANSISTOR	2SC1623-L5L6	R1681	1-216-833-11	METAL CHIP	10K 5% 1/10W
Q1613	6-550-526-11	TRANSISTOR	2SK2842(LBS2SONY)	R1682	1-216-864-11	SHORT CHIP	
Q1614	6-550-526-11	TRANSISTOR	2SK2842(LBS2SONY)	R1683	1-245-472-21	METAL	270K 1% 1/4W
Q1615	8-729-120-28	TRANSISTOR	2SC1623-L5L6	R1684	1-245-471-21	METAL	240K 1% 1/4W
Q1616	8-729-026-49	TRANSISTOR	2SA1037AK-T146-R	R1685	1-245-471-21	METAL	240K 1% 1/4W
Q1617	8-729-120-28	TRANSISTOR	2SC1623-L5L6	R1686	1-245-471-21	METAL	240K 1% 1/4W
RESISTOR				R1689	1-218-877-11	METAL CHIP	18K 0.50% 1/10W
R1600	1-218-869-11	METAL CHIP	8.2K 0.50% 1/10W	R1691	1-216-845-11	METAL CHIP	100K 5% 1/10W
R1602	1-218-837-11	METAL CHIP	390 0.50% 1/10W	R1696	1-211-991-11	METAL CHIP	82 0.50% 1/10W
R1603	1-245-478-21	METAL	470K 1% 1/4W	R1697	1-212-897-00	FUSIBLE	470 5% 1/4W
R1605	1-218-873-11	METAL CHIP	12K 0.50% 1/10W	R1700	1-216-821-11	METAL CHIP	1K 5% 1/10W
R1606	1-245-478-21	METAL	470K 1% 1/4W	R1701	1-249-393-11	CARBON	10 5% 1/4W
R1607	1-218-823-11	METAL CHIP	100 0.50% 1/10W	R1702	1-249-393-11	CARBON	10 5% 1/4W
R1608	1-212-897-00	FUSIBLE	470 5% 1/4W	R1703	1-216-864-11	SHORT CHIP	
R1609	1-249-393-11	CARBON	10 5% 1/4W	R1704	1-218-871-11	METAL CHIP	10K 0.50% 1/10W
R1610	1-249-393-11	CARBON	10 5% 1/4W	R1705	1-218-871-11	METAL CHIP	10K 0.50% 1/10W
R1611	1-216-833-11	METAL CHIP	10K 5% 1/10W	R1706	1-216-833-11	METAL CHIP	10K 5% 1/10W
R1612	1-216-833-11	METAL CHIP	10K 5% 1/10W	R1707	1-216-833-11	METAL CHIP	10K 5% 1/10W
R1614	1-220-926-81	FUSIBLE	0.47 10% 1/2W	R1710	1-216-817-11	METAL CHIP	470 5% 1/10W
R1615	1-216-864-11	SHORT CHIP		R1711	1-243-660-71	METAL	0.05 5% 2W
R1616	1-216-817-11	METAL CHIP	470 5% 1/10W	R1712	1-249-385-11	CARBON	2.2 5% 1/4W
R1617	1-243-944-71	METAL	0.33 5% 2W	R1713	1-216-864-11	SHORT CHIP	
				R1714	1-216-829-11	METAL CHIP	4.7K 5% 1/10W
				R1715	1-216-833-11	METAL CHIP	10K 5% 1/10W
				R1716	1-216-833-11	METAL CHIP	10K 5% 1/10W
				R1717	1-216-821-11	METAL CHIP	1K 5% 1/10W
				R1718	1-216-821-11	METAL CHIP	1K 5% 1/10W



REF. NO.	PART NO.	DESCRIPTION	VALUES			REF. NO.	PART NO.	DESCRIPTION	VALUES		
Q6914	8-729-216-22	TRANSISTOR	2SA1162-G			R6054	1-216-864-11	SHORT CHIP			
Q6915	8-729-422-33	TRANSISTOR	2SD601A-Q-TX			R6055	1-216-824-11	METAL CHIP	1.8K	5%	1/10W
Q6916	8-729-422-33	TRANSISTOR	2SD601A-Q-TX			R6057	1-218-716-11	METAL CHIP	10K	0.50%	1/10W
Q6917	8-729-422-33	TRANSISTOR	2SD601A-Q-TX			R6058	1-218-722-11	METAL CHIP	18K	0.50%	1/10W
						R6059	1-216-833-11	METAL CHIP	10K	5%	1/10W
						R6060	1-216-809-11	METAL CHIP	100	5%	1/10W
						R6061	1-216-833-11	METAL CHIP	10K	5%	1/10W
						R6062	1-216-809-11	METAL CHIP	100	5%	1/10W
						R6063	1-216-845-11	METAL CHIP	100K	5%	1/10W
						R6065	1-218-716-11	METAL CHIP	10K	0.50%	1/10W
						R6070	1-218-722-11	METAL CHIP	18K	0.50%	1/10W
						R6071	1-216-801-11	METAL CHIP	22	5%	1/10W
						R6072	1-216-801-11	METAL CHIP	22	5%	1/10W
						R6073	1-216-864-11	SHORT CHIP			
						R6074	1-216-864-11	SHORT CHIP			
						R6078	1-216-833-11	METAL CHIP	10K	5%	1/10W
						R6079	1-216-833-11	METAL CHIP	10K	5%	1/10W
						R6080	1-216-833-11	METAL CHIP	10K	5%	1/10W
						R6081	1-216-833-11	METAL CHIP	10K	5%	1/10W
						R6082	1-216-833-11	METAL CHIP	10K	5%	1/10W
						R6083	1-216-825-11	METAL CHIP	2.2K	5%	1/10W
						R6084	1-216-833-11	METAL CHIP	10K	5%	1/10W
						R6085	1-216-833-11	METAL CHIP	10K	5%	1/10W
						R6086	1-216-825-11	METAL CHIP	2.2K	5%	1/10W
						R6088	1-216-864-11	SHORT CHIP			
						R6089	1-216-864-11	SHORT CHIP			
						R6091	1-216-833-11	METAL CHIP	10K	5%	1/10W
						R6099	1-216-864-11	SHORT CHIP			
						R6100	1-216-864-11	SHORT CHIP			
						R6101	1-216-864-11	SHORT CHIP			
						R6102	1-216-864-11	SHORT CHIP			
						R6103	1-216-864-11	SHORT CHIP			
						R6105	1-216-864-11	SHORT CHIP			
						R6106	1-216-864-11	SHORT CHIP			
						R6107	1-216-864-11	SHORT CHIP			
						R6108	1-216-864-11	SHORT CHIP			
						R6110	1-216-814-11	METAL CHIP	270	5%	1/10W
						R6111	1-216-864-11	SHORT CHIP			
						R6112	1-216-864-11	SHORT CHIP			
						R6113	1-216-864-11	SHORT CHIP			
						R6114	1-216-864-11	SHORT CHIP			
						R6115	1-216-864-11	SHORT CHIP			
						R6116	1-216-864-11	SHORT CHIP			
						R6117	1-216-864-11	SHORT CHIP			
						R6118	1-216-864-11	SHORT CHIP			
						R6119	1-216-864-11	SHORT CHIP			
						R6120	1-216-864-11	SHORT CHIP			
						R6121	1-216-864-11	SHORT CHIP			



REF. NO.	PART NO.	DESCRIPTION	VALUES			REF. NO.	PART NO.	DESCRIPTION	VALUES		
R6122	1-216-864-11	SHORT CHIP				R6217	1-216-864-11	SHORT CHIP			
R6123	1-216-864-11	SHORT CHIP				R6218	1-216-864-11	SHORT CHIP			
R6126	1-216-864-11	SHORT CHIP				R6219	1-216-864-11	SHORT CHIP			
R6127	1-216-864-11	SHORT CHIP				R6220	1-216-864-11	SHORT CHIP			
R6128	1-216-864-11	SHORT CHIP				R6864	1-216-864-11	SHORT CHIP			
R6129	1-216-864-11	SHORT CHIP				R6865	1-216-833-11	METAL CHIP	10K	5%	1/10W
R6130	1-216-864-11	SHORT CHIP				R6866	1-216-864-11	SHORT CHIP			
R6131	1-216-864-11	SHORT CHIP				R6867	1-216-833-11	METAL CHIP	10K	5%	1/10W
R6134	1-216-864-11	SHORT CHIP				R6868	1-216-845-11	METAL CHIP	100K	5%	1/10W
R6135	1-216-864-11	SHORT CHIP				R6869	1-216-845-11	METAL CHIP	100K	5%	1/10W
R6136	1-216-864-11	SHORT CHIP				R6870	1-216-845-11	METAL CHIP	100K	5%	1/10W
R6137	1-216-864-11	SHORT CHIP				R6873	1-216-809-11	METAL CHIP	100	5%	1/10W
R6138	1-216-864-11	SHORT CHIP				R6874	1-216-845-11	METAL CHIP	100K	5%	1/10W
R6143	1-216-864-11	SHORT CHIP				R6876	1-216-864-11	SHORT CHIP			
R6144	1-216-864-11	SHORT CHIP				R6877	1-216-864-11	SHORT CHIP			
R6145	1-216-864-11	SHORT CHIP				R6878	1-216-837-11	METAL CHIP	22K	5%	1/10W
R6146	1-216-833-11	METAL CHIP	10K	5%	1/10W	R6880	1-216-833-11	METAL CHIP	10K	5%	1/10W
R6153	1-216-864-11	SHORT CHIP				R6881	1-216-833-11	METAL CHIP	10K	5%	1/10W
R6154	1-216-864-11	SHORT CHIP				R6882	1-216-809-11	METAL CHIP	100	5%	1/10W
R6155	1-216-864-11	SHORT CHIP				R6883	1-216-864-11	SHORT CHIP			
R6156	1-216-864-11	SHORT CHIP				R6884	1-216-864-11	SHORT CHIP			
R6157	1-216-864-11	SHORT CHIP				R6885	1-216-864-11	SHORT CHIP			
R6158	1-216-864-11	SHORT CHIP				R6886	1-216-864-11	SHORT CHIP			
R6159	1-216-864-11	SHORT CHIP				R6887	1-216-864-11	SHORT CHIP			
R6160	1-216-864-11	SHORT CHIP				R6888	1-216-864-11	SHORT CHIP			
R6164	1-216-864-11	SHORT CHIP				R6889	1-216-809-11	METAL CHIP	100	5%	1/10W
R6165	1-216-864-11	SHORT CHIP				R6890	1-216-809-11	METAL CHIP	100	5%	1/10W
R6166	1-216-864-11	SHORT CHIP				R6891	1-216-809-11	METAL CHIP	100	5%	1/10W
R6170	1-216-833-11	METAL CHIP	10K	5%	1/10W	R6892	1-216-809-11	METAL CHIP	100	5%	1/10W
R6176	1-216-797-11	METAL CHIP	10	5%	1/10W	R6893	1-216-833-11	METAL CHIP	10K	5%	1/10W
R6177	1-216-845-11	METAL CHIP	100K	5%	1/10W	R6894	1-216-809-11	METAL CHIP	100	5%	1/10W
R6178	1-216-845-11	METAL CHIP	100K	5%	1/10W	R6895	1-216-809-11	METAL CHIP	100	5%	1/10W
R6179	1-216-821-11	METAL CHIP	1K	5%	1/10W	R6896	1-216-823-11	METAL CHIP	1.5K	5%	1/10W
R6180	1-218-867-11	METAL CHIP	6.8K	0.50%	1/10W	R6897	1-216-864-11	SHORT CHIP			
R6181	1-216-864-11	SHORT CHIP				R6898	1-218-654-11	METAL CHIP	27	0.50%	1/10W
R6185	1-216-833-11	METAL CHIP	10K	5%	1/10W	R6899	1-218-654-11	METAL CHIP	27	0.50%	1/10W
R6188	1-216-864-11	SHORT CHIP				R6901	1-216-805-11	METAL CHIP	47	5%	1/10W
R6189	1-216-864-11	SHORT CHIP				R6902	1-216-864-11	SHORT CHIP			
R6191	1-216-864-11	SHORT CHIP				R6904	1-216-864-11	SHORT CHIP			
R6192	1-216-864-11	SHORT CHIP				R6906	1-216-833-11	METAL CHIP	10K	5%	1/10W
R6193	1-216-864-11	SHORT CHIP				R6907	1-216-833-11	METAL CHIP	10K	5%	1/10W
R6195	1-216-864-11	SHORT CHIP				R6908	1-216-825-11	METAL CHIP	2.2K	5%	1/10W
R6201	1-216-833-11	METAL CHIP	10K	5%	1/10W	R6909	1-216-825-11	METAL CHIP	2.2K	5%	1/10W
R6208	1-216-864-11	SHORT CHIP				R6910	1-216-809-11	METAL CHIP	100	5%	1/10W
R6213	1-216-864-11	SHORT CHIP				R6911	1-216-809-11	METAL CHIP	100	5%	1/10W
R6214	1-216-864-11	SHORT CHIP				R6912	1-216-809-11	METAL CHIP	100	5%	1/10W
R6215	1-216-864-11	SHORT CHIP				R6913	1-216-864-11	SHORT CHIP			
R6216	1-216-864-11	SHORT CHIP				R6914	1-216-801-11	METAL CHIP	22	5%	1/10W



REF. NO.	PART NO.	DESCRIPTION	VALUES			REF. NO.	PART NO.	DESCRIPTION	VALUES		
*	A-1060-187-A	KD BOARD, COMPLETE				C4754	1-100-566-91	CERAMIC CHIP	0.1μF	10%	25V
					CAPACITOR						
C4702	1-124-779-00	ELECT CHIP	10μF	20%	16V	C4755	1-162-923-11	CERAMIC CHIP	47pF	5%	50V
C4704	1-164-156-11	CERAMIC CHIP	0.1μF		25V	C4756	1-162-923-11	CERAMIC CHIP	47pF	5%	50V
C4705	1-107-826-11	CERAMIC CHIP	0.1μF	10%	16V	C4757	1-162-923-11	CERAMIC CHIP	47pF	5%	50V
C4707	1-100-743-91	CERAMIC CHIP	2.2μF	20%	16V	C4758	1-163-989-11	CERAMIC CHIP	0.033μF	10%	25V
C4708	1-162-967-11	CERAMIC CHIP	0.0033μF	10%	50V	C4759	1-162-970-11	CERAMIC CHIP	0.01μF	10%	25V
C4709	1-164-156-11	CERAMIC CHIP	0.1μF		25V	C4761	1-125-827-91	CERAMIC CHIP	1μF	10%	25V
C4710	1-164-156-11	CERAMIC CHIP	0.1μF		25V	C4762	1-162-915-11	CERAMIC CHIP	10pF	0.50pF	50V
C4711	1-107-826-11	CERAMIC CHIP	0.1μF	10%	16V	C4763	1-162-915-11	CERAMIC CHIP	10pF	0.50pF	50V
C4714	1-162-964-11	CERAMIC CHIP	0.001μF	10%	50V	C4764	1-127-573-11	CERAMIC CHIP	1μF	10%	16V
C4715	1-126-395-11	ELECT CHIP	22μF	20%	16V	C4765	1-128-994-21	ELECT CHIP	47μF	20%	10V
C4716	1-164-156-11	CERAMIC CHIP	0.1μF		25V	C4766	1-128-994-21	ELECT CHIP	47μF	20%	10V
C4718	1-107-826-11	CERAMIC CHIP	0.1μF	10%	16V	C4767	1-128-994-21	ELECT CHIP	47μF	20%	10V
C4719	1-107-826-11	CERAMIC CHIP	0.1μF	10%	16V	C4768	1-100-743-91	CERAMIC CHIP	2.2μF	20%	16V
C4720	1-125-827-91	CERAMIC CHIP	1μF	10%	25V	C4769	1-107-826-11	CERAMIC CHIP	0.1μF	10%	16V
C4721	1-162-964-11	CERAMIC CHIP	0.001μF	10%	50V	C4770	1-100-743-91	CERAMIC CHIP	2.2μF	20%	16V
C4722	1-164-156-11	CERAMIC CHIP	0.1μF		25V	C4771	1-125-827-91	CERAMIC CHIP	1μF	10%	25V
C4723	1-115-340-11	CERAMIC CHIP	0.22μF	10%	25V	C4772	1-128-994-21	ELECT CHIP	47μF	20%	10V
C4724	1-124-779-00	ELECT CHIP	10μF	20%	16V	C4773	1-124-779-00	ELECT CHIP	10μF	20%	16V
C4725	1-164-156-11	CERAMIC CHIP	0.1μF		25V	C4774	1-107-826-11	CERAMIC CHIP	0.1μF	10%	16V
C4728	1-162-923-11	CERAMIC CHIP	47pF	5%	50V	C4776	1-164-156-11	CERAMIC CHIP	0.1μF		25V
C4729	1-107-826-11	CERAMIC CHIP	0.1μF	10%	16V	C4777	1-163-989-11	CERAMIC CHIP	0.033μF	10%	25V
C4730	1-163-989-11	CERAMIC CHIP	0.033μF	10%	25V	C4778	1-100-566-91	CERAMIC CHIP	0.1μF	10%	25V
C4732	1-100-566-91	CERAMIC CHIP	0.1μF	10%	25V	C4780	1-107-826-11	CERAMIC CHIP	0.1μF	10%	16V
C4733	1-107-826-11	CERAMIC CHIP	0.1μF	10%	16V	C4781	1-100-566-91	CERAMIC CHIP	0.1μF	10%	25V
C4735	1-126-193-11	ELECT CHIP	1μF	20%	50V	C4784	1-100-566-91	CERAMIC CHIP	0.1μF	10%	25V
C4736	1-100-566-91	CERAMIC CHIP	0.1μF	10%	25V	C4785	1-131-704-11	FILM	1μF	5%	50V
C4738	1-115-340-11	CERAMIC CHIP	0.22μF	10%	25V	C4786	1-162-964-11	CERAMIC CHIP	0.001μF	10%	50V
C4740	1-162-964-11	CERAMIC CHIP	0.001μF	10%	50V	C4788	1-100-566-91	CERAMIC CHIP	0.1μF	10%	25V
C4741	1-131-704-11	FILM	1μF	5%	50V	C4789	1-131-704-11	FILM	1μF	5%	50V
C4742	1-100-566-91	CERAMIC CHIP	0.1μF	10%	25V	C4790	1-164-156-11	CERAMIC CHIP	0.1μF		25V
C4743	1-162-964-11	CERAMIC CHIP	0.001μF	10%	50V	C4791	1-164-156-11	CERAMIC CHIP	0.1μF		25V
C4745	1-100-566-91	CERAMIC CHIP	0.1μF	10%	25V	C4792	1-162-964-11	CERAMIC CHIP	0.001μF	10%	50V
C4746	1-107-826-11	CERAMIC CHIP	0.1μF	10%	16V	C4793	1-100-566-91	CERAMIC CHIP	0.1μF	10%	25V
C4747	1-162-967-11	CERAMIC CHIP	0.0033μF	10%	50V	C4795	1-117-318-91	ELECT	2200μF	20%	25V
C4748	1-131-704-11	FILM	1μF	5%	50V	C4796	1-107-826-11	CERAMIC CHIP	0.1μF	10%	16V
C4749	1-107-826-11	CERAMIC CHIP	0.1μF	10%	16V	C4797	1-100-566-91	CERAMIC CHIP	0.1μF	10%	25V
C4750	1-100-566-91	CERAMIC CHIP	0.1μF	10%	25V	C4799	1-100-566-91	CERAMIC CHIP	0.1μF	10%	25V
C4751	1-100-566-91	CERAMIC CHIP	0.1μF	10%	25V	C4801	1-115-340-11	CERAMIC CHIP	0.22μF	10%	25V
C4752	1-162-967-11	CERAMIC CHIP	0.0033μF	10%	50V	C4802	1-126-395-11	ELECT CHIP	22μF	20%	16V
C4753	1-117-318-91	ELECT	2200μF	20%	25V	C4803	1-164-156-11	CERAMIC CHIP	0.1μF		25V
C4804	1-163-989-11	CERAMIC CHIP	0.033μF	10%	25V	C4805	1-107-826-11	CERAMIC CHIP	0.1μF	10%	16V
C4806	1-107-826-11	CERAMIC CHIP	0.1μF	10%	16V	C4807	1-164-156-11	CERAMIC CHIP	0.1μF		25V
C4808	1-124-779-00	ELECT CHIP	10μF	20%	16V	C4808	1-124-779-00	ELECT CHIP	10μF	20%	16V
C4809	1-164-156-11	CERAMIC CHIP	0.1μF		25V	C4809	1-164-156-11	CERAMIC CHIP	0.1μF		25V
C4811	1-162-923-11	CERAMIC CHIP	47pF	5%	50V	C4811	1-162-923-11	CERAMIC CHIP	47pF	5%	50V



REF. NO.	PART NO.	DESCRIPTION	VALUES			REF. NO.	PART NO.	DESCRIPTION	VALUES
C4813	1-107-826-11	CERAMIC CHIP	0.1μF	10%	16V				
C4814	1-125-827-91	CERAMIC CHIP	1μF	10%	25V				
C4817	1-162-964-11	CERAMIC CHIP	0.001μF	10%	50V				
C4818	1-107-826-11	CERAMIC CHIP	0.1μF	10%	16V				
C4820	1-126-193-11	ELECT CHIP	1μF	20%	50V				
C4821	1-126-193-11	ELECT CHIP	1μF	20%	50V				
C4822	1-115-340-11	CERAMIC CHIP	0.22μF	10%	25V				
C4823	1-162-964-11	CERAMIC CHIP	0.001μF	10%	50V				
C4825	1-162-964-11	CERAMIC CHIP	0.001μF	10%	50V				
C4827	1-107-826-11	CERAMIC CHIP	0.1μF	10%	16V				
C4828	1-128-006-11	ELECT CHIP	4.7μF	20%	25V				
C4829	1-107-826-11	CERAMIC CHIP	0.1μF	10%	16V				
C4830	1-125-827-91	CERAMIC CHIP	1μF	10%	25V				
C4831	1-162-964-11	CERAMIC CHIP	0.001μF	10%	50V				
C4832	1-115-340-11	CERAMIC CHIP	0.22μF	10%	25V				
C4833	1-162-923-11	CERAMIC CHIP	47pF	5%	50V				
C4834	1-162-923-11	CERAMIC CHIP	47pF	5%	50V				
C4835	1-162-923-11	CERAMIC CHIP	47pF	5%	50V				
C4836	1-162-970-11	CERAMIC CHIP	0.01μF	10%	25V				
C4837	1-162-923-11	CERAMIC CHIP	47pF	5%	50V				
C4838	1-163-989-11	CERAMIC CHIP	0.033μF	10%	25V				
C4839	1-100-566-91	CERAMIC CHIP	0.1μF	10%	25V				
C4840	1-100-566-91	CERAMIC CHIP	0.1μF	10%	25V				
C4842	1-115-340-11	CERAMIC CHIP	0.22μF	10%	25V				
C4844	1-162-964-11	CERAMIC CHIP	0.001μF	10%	50V				
C4845	1-131-704-11	FILM	1μF	5%	50V				
C4846	1-100-566-91	CERAMIC CHIP	0.1μF	10%	25V				
C4847	1-162-964-11	CERAMIC CHIP	0.001μF	10%	50V				
C4848	1-100-566-91	CERAMIC CHIP	0.1μF	10%	25V				
C4850	1-131-704-11	FILM	1μF	5%	50V				
C4851	1-100-566-91	CERAMIC CHIP	0.1μF	10%	25V				
C4852	1-100-566-91	CERAMIC CHIP	0.1μF	10%	25V				
C4854	1-117-318-91	ELECT	2200μF	20%	25V				
C4855	1-117-681-11	ELECT CHIP	100μF	20%	16V				
C4856	1-117-681-11	ELECT CHIP	100μF	20%	16V				
C4857	1-100-566-91	CERAMIC CHIP	0.1μF	10%	25V				
C4858	1-100-566-91	CERAMIC CHIP	0.1μF	10%	25V				
C4859	1-163-989-11	CERAMIC CHIP	0.033μF	10%	25V				
C4861	1-162-970-11	CERAMIC CHIP	0.01μF	10%	25V				
C4862	1-162-970-11	CERAMIC CHIP	0.01μF	10%	25V				
C4864	1-125-827-91	CERAMIC CHIP	1μF	10%	25V				
C4866	1-128-401-11	ELECT CHIP	100μF	20%	25V				
C4867	1-162-964-11	CERAMIC CHIP	0.001μF	10%	50V				
C4868	1-128-401-11	ELECT CHIP	100μF	20%	25V				
C4870	1-107-826-11	CERAMIC CHIP	0.1μF	10%	16V				
C4871	1-124-779-00	ELECT CHIP	10μF	20%	16V				
C4874	1-126-193-11	ELECT CHIP	1μF	20%	50V				
C4901	1-127-931-21	ELECT CHIP	470μF	20%	16V				
							CONNECTOR		
						* CN4701	1-785-701-11	PIN, CONNECTOR (PC BOARD)	3P
						* CN4702	1-779-944-11	PIN, CONNECTOR (PC BOARD)	4P
						* CN4703	1-793-497-11	CONNECTOR, BOARD TO BOARD	40P
						CN4705	1-764-101-11	PIN, CONNECTOR (PC BOARD)	2P
								DIODE	
						D4701	8-719-404-50	DIODE	MA111-TX
						D4702	8-719-404-50	DIODE	MA111-TX
						D4709	8-719-404-50	DIODE	MA111-TX
						D4710	8-719-404-50	DIODE	MA111-TX
						D4717	8-719-404-50	DIODE	MA111-TX
						D4719	8-719-989-00	DIODE	DA221
						D4901	8-719-404-50	DIODE	MA111-TX
						D4902	8-719-421-15	DIODE	MA8027-L
								IC	
						IC4701	6-701-834-01	IC	PCM1802DBR
						IC4702	6-705-979-01	IC	CXD9788AR
						IC4703	6-704-802-01	IC	CXD9774M
						IC4704	8-759-832-05	IC	BA18BC0FP-E2
						IC4705	8-759-242-70	IC	TC7WU04F
						IC4706	6-701-834-01	IC	PCM1802DBR
						IC4707	6-705-979-01	IC	CXD9788AR
						IC4708	6-704-802-01	IC	CXD9774M
						IC4709	6-704-643-01	IC	R3112N221A-TR-FA
						IC4710	6-704-802-01	IC	CXD9774M
						IC4711	8-759-548-99	IC	SN74LV08APWR
						IC4712	8-759-460-81	IC	BA12FP-E2
								COIL	
						L4701	1-469-555-21	INDUCTOR	10μH
						L4702	1-456-813-11	COIL, AIR-CORE	
						L4703	1-456-864-11	INDUCTOR	11μH
						L4704	1-456-864-11	INDUCTOR	11μH
						L4705	1-456-813-11	COIL, AIR-CORE	
						L4706	1-469-555-21	INDUCTOR	10μH
						L4707	1-469-555-21	INDUCTOR	10μH
						L4708	1-456-813-11	COIL, AIR-CORE	
						L4709	1-456-864-11	INDUCTOR	11μH
						L4710	1-456-864-11	INDUCTOR	11μH
						L4711	1-456-813-11	COIL, AIR-CORE	
						L4712	1-456-813-11	COIL, AIR-CORE	
						L4713	1-456-864-11	INDUCTOR	11μH
						L4714	1-456-864-11	INDUCTOR	11μH



REF. NO.	PART NO.	DESCRIPTION	VALUES			REF. NO.	PART NO.	DESCRIPTION	VALUES		
L4715	1-414-487-41	INDUCTOR	1μH			R4733	1-216-864-11	SHORT CHIP			
L4716	1-456-813-11	COIL, AIR-CORE				R4734	1-218-708-11	METAL CHIP	4.7K	0.50%	1/10W
L4717	1-469-555-21	INDUCTOR	10μH			R4735	1-216-821-11	METAL CHIP	1K	5%	1/10W
WIRE PIN						R4736	1-220-942-11	METAL CHIP	3.3	1%	1/4W
*	LP4701	4-042-408-02	PIN(45), WIRE			R4737	1-218-708-11	METAL CHIP	4.7K	0.50%	1/10W
*	LP4702	4-042-408-02	PIN(45), WIRE			R4738	1-216-809-11	METAL CHIP	100	5%	1/10W
TRANSISTOR						R4739	1-216-809-11	METAL CHIP	100	5%	1/10W
Q4701	6-550-586-01	TRANSISTOR	2PA1576R-115			R4740	1-216-809-11	METAL CHIP	100	5%	1/10W
Q4702	6-550-586-01	TRANSISTOR	2PA1576R-115			R4741	1-216-833-11	METAL CHIP	10K	5%	1/10W
Q4703	6-550-585-01	TRANSISTOR	2PC4081R-115			R4742	1-216-864-11	SHORT CHIP			
Q4704	6-550-586-01	TRANSISTOR	2PA1576R-115			R4743	1-216-809-11	METAL CHIP	100	5%	1/10W
Q4705	6-550-586-01	TRANSISTOR	2PA1576R-115			R4744	1-216-864-11	SHORT CHIP			
Q4706	6-550-586-01	TRANSISTOR	2PA1576R-115			R4747	1-216-864-11	SHORT CHIP			
Q4707	6-550-586-01	TRANSISTOR	2PA1576R-115			R4750	1-216-864-11	SHORT CHIP			
Q4708	6-550-585-01	TRANSISTOR	2PC4081R-115			R4751	1-216-833-11	METAL CHIP	10K	5%	1/10W
Q4709	6-550-586-01	TRANSISTOR	2PA1576R-115			R4752	1-216-817-11	METAL CHIP	470	5%	1/10W
Q4711	6-550-585-01	TRANSISTOR	2PC4081R-115			R4753	1-216-847-11	METAL CHIP	150K	5%	1/10W
Q4901	6-550-586-01	TRANSISTOR	2PA1576R-115			R4754	1-216-857-11	METAL CHIP	1M	5%	1/10W
Q4902	6-550-585-01	TRANSISTOR	2PC4081R-115			R4755	1-216-844-11	METAL CHIP	82K	5%	1/10W
RESISTOR						R4756	1-216-845-11	METAL CHIP	100K	5%	1/10W
R4701	1-216-809-11	METAL CHIP	100	5%	1/10W	R4757	1-216-846-11	METAL CHIP	120K	5%	1/10W
R4702	1-216-809-11	METAL CHIP	100	5%	1/10W	R4758	1-216-845-11	METAL CHIP	100K	5%	1/10W
R4703	1-216-809-11	METAL CHIP	100	5%	1/10W	R4759	1-216-845-11	METAL CHIP	100K	5%	1/10W
R4704	1-216-809-11	METAL CHIP	100	5%	1/10W	R4760	1-216-846-11	METAL CHIP	120K	5%	1/10W
R4705	1-216-845-11	METAL CHIP	100K	5%	1/10W	R4761	1-216-845-11	METAL CHIP	100K	5%	1/10W
R4708	1-216-846-11	METAL CHIP	120K	5%	1/10W	R4762	1-220-281-11	RES-CHIP	4.7K	5%	1/4W
R4709	1-216-845-11	METAL CHIP	100K	5%	1/10W	R4763	1-216-809-11	METAL CHIP	100	5%	1/10W
R4710	1-216-821-11	METAL CHIP	1K	5%	1/10W	R4764	1-216-809-11	METAL CHIP	100	5%	1/10W
R4711	1-216-864-11	SHORT CHIP				R4765	1-216-864-11	SHORT CHIP			
R4715	1-216-864-11	SHORT CHIP				R4767	1-216-809-11	METAL CHIP	100	5%	1/10W
R4716	1-216-790-11	METAL CHIP	2.7	5%	1/10W	R4768	1-216-864-11	SHORT CHIP			
R4717	1-216-809-11	METAL CHIP	100	5%	1/10W	R4770	1-216-813-11	METAL CHIP	220	5%	1/10W
R4719	1-216-818-11	METAL CHIP	560	5%	1/10W	R4771	1-216-821-11	METAL CHIP	1K	5%	1/10W
R4720	1-216-837-11	METAL CHIP	22K	5%	1/10W	R4772	1-216-809-11	METAL CHIP	100	5%	1/10W
R4721	1-220-281-11	RES-CHIP	4.7K	5%	1/4W	R4774	1-216-864-11	SHORT CHIP			
R4722	1-220-281-11	RES-CHIP	4.7K	5%	1/4W	R4775	1-216-864-11	SHORT CHIP			
R4723	1-216-833-11	METAL CHIP	10K	5%	1/10W	R4776	1-216-864-11	SHORT CHIP			
R4724	1-216-864-11	SHORT CHIP				R4778	1-216-864-11	SHORT CHIP			
R4725	1-216-821-11	METAL CHIP	1K	5%	1/10W	R4779	1-220-942-11	METAL CHIP	3.3	1%	1/4W
R4726	1-216-833-11	METAL CHIP	10K	5%	1/10W	R4780	1-216-864-11	SHORT CHIP			
R4727	1-216-864-11	SHORT CHIP				R4781	1-218-708-11	METAL CHIP	4.7K	0.50%	1/10W
R4728	1-216-864-11	SHORT CHIP				R4782	1-220-942-11	METAL CHIP	3.3	1%	1/4W
R4729	1-216-790-11	METAL CHIP	2.7	5%	1/10W	R4783	1-218-708-11	METAL CHIP	4.7K	0.50%	1/10W
R4731	1-216-864-11	SHORT CHIP				R4784	1-216-864-11	SHORT CHIP			
R4732	1-220-942-11	METAL CHIP	3.3	1%	1/4W	R4785	1-216-821-11	METAL CHIP	1K	5%	1/10W
						R4786	1-216-864-11	SHORT CHIP			
						R4787	1-216-790-11	METAL CHIP	2.7	5%	1/10W
						R4788	1-216-864-11	SHORT CHIP			



REF. NO.	PART NO.	DESCRIPTION	VALUES	REF. NO.	PART NO.	DESCRIPTION	VALUES
<u>IC</u>				R9514	1-218-665-11	METAL CHIP	75 0.50% 1/10W
IC9500	6-706-257-01	IC	FMS6418AM16X	R9515	1-218-665-11	METAL CHIP	75 0.50% 1/10W
IC9502	6-704-819-01	IC	CS4335-KSZR	R9516	1-218-665-11	METAL CHIP	75 0.50% 1/10W
IC9503	6-704-407-01	IC	PQ1CZ41H2ZPH	R9517	1-218-665-11	METAL CHIP	75 0.50% 1/10W
IC9504	6-704-001-01	IC	BR24L02F-WE2	R9518	1-216-857-11	METAL CHIP	1M 5% 1/10W
IC9505	6-704-499-01	IC	SII9993CTG100	R9519	1-216-803-11	METAL CHIP	33 5% 1/10W
IC9506	6-703-042-01	IC	CD4052BNSR	R9520	1-216-816-11	METAL CHIP	390 5% 1/10W
IC9509	6-550-014-01	TRANSISTOR	SSM6N15FU(TE85R)	R9526	1-218-716-11	METAL CHIP	10K 0.50% 1/10W
IC9514	8-759-331-71	IC	NJM4558E(TE2)	R9528	1-216-837-11	METAL CHIP	22K 5% 1/10W
IC9517	6-804-248-01	IC	HD64F3694FXV-DA4	R9529	1-216-850-11	METAL CHIP	270K 5% 1/10W
IC9521	8-759-642-22	IC	UPC29M05T-E2	R9530	1-216-821-11	METAL CHIP	1K 5% 1/10W
<u>JACK</u>				R9531	1-216-829-11	METAL CHIP	4.7K 5% 1/10W
J9503	1-794-623-11	JACK, PIN	2P	R9532	1-218-694-11	METAL CHIP	1.2K 0.50% 1/10W
<u>COIL</u>				R9533	1-216-825-11	METAL CHIP	2.2K 5% 1/10W
L9501	1-416-948-21	INDUCTOR	10μH	R9534	1-218-686-11	METAL CHIP	560 0.50% 1/10W
L9502	1-400-303-21	INDUCTOR	68μH	R9535	1-216-845-11	METAL CHIP	100K 5% 1/10W
<u>IC LINK</u>				R9538	1-218-823-11	METAL CHIP	100 0.50% 1/10W
PS9500	1-576-415-21	FUSE	2A 32V	R9539	1-216-821-11	METAL CHIP	1K 5% 1/10W
<u>TRANSISTOR</u>				R9540	1-216-829-11	METAL CHIP	4.7K 5% 1/10W
Q9501	8-729-024-88	TRANSISTOR	MUN2212T1	R9541	1-218-694-11	METAL CHIP	1.2K 0.50% 1/10W
Q9502	8-729-421-22	TRANSISTOR	UN2211	R9542	1-216-850-11	METAL CHIP	270K 5% 1/10W
Q9503	8-729-027-62	TRANSISTOR	DTC144WKA-T146	R9543	1-218-686-11	METAL CHIP	560 0.50% 1/10W
Q9506	8-729-024-88	TRANSISTOR	MUN2212T1	R9544	1-218-706-11	METAL CHIP	3.9K 0.50% 1/10W
Q9511	8-729-421-22	TRANSISTOR	UN2211	R9546	1-218-706-11	METAL CHIP	3.9K 0.50% 1/10W
Q9514	8-729-027-62	TRANSISTOR	DTC144WKA-T146	R9547	1-216-845-11	METAL CHIP	100K 5% 1/10W
Q9516	8-729-421-22	TRANSISTOR	UN2211	R9548	1-218-716-11	METAL CHIP	10K 0.50% 1/10W
Q9517	8-729-421-22	TRANSISTOR	UN2211	R9552	1-216-817-11	METAL CHIP	470 5% 1/10W
<u>RESISTOR</u>				R9555	1-218-706-11	METAL CHIP	3.9K 0.50% 1/10W
R9501	1-218-665-11	METAL CHIP	75 0.50% 1/10W	R9556	1-216-829-11	METAL CHIP	4.7K 5% 1/10W
R9502	1-218-665-11	METAL CHIP	75 0.50% 1/10W	R9557	1-218-706-11	METAL CHIP	3.9K 0.50% 1/10W
R9505	1-216-841-11	METAL CHIP	47K 5% 1/10W	R9558	1-216-829-11	METAL CHIP	4.7K 5% 1/10W
R9507	1-216-857-11	METAL CHIP	1M 5% 1/10W	R9559	1-216-809-11	METAL CHIP	100 5% 1/10W
R9508	1-216-857-11	METAL CHIP	1M 5% 1/10W	R9560	1-216-864-11	SHORT CHIP	
R9509	1-216-857-11	METAL CHIP	1M 5% 1/10W	R9562	1-216-809-11	METAL CHIP	100 5% 1/10W
R9510	1-218-665-11	METAL CHIP	75 0.50% 1/10W	R9563	1-218-706-11	METAL CHIP	3.9K 0.50% 1/10W
R9511	1-216-803-11	METAL CHIP	33 5% 1/10W	R9564	1-216-837-11	METAL CHIP	22K 5% 1/10W
R9512	1-218-665-11	METAL CHIP	75 0.50% 1/10W	R9565	1-216-845-11	METAL CHIP	100K 5% 1/10W
R9513	1-218-665-11	METAL CHIP	75 0.50% 1/10W	R9566	1-216-864-11	SHORT CHIP	
				R9569	1-216-845-11	METAL CHIP	100K 5% 1/10W
				R9572	1-216-837-11	METAL CHIP	22K 5% 1/10W
				R9574	1-216-809-11	METAL CHIP	100 5% 1/10W
				R9575	1-216-809-11	METAL CHIP	100 5% 1/10W
				R9576	1-216-857-11	METAL CHIP	1M 5% 1/10W
				R9577	1-216-857-11	METAL CHIP	1M 5% 1/10W
				R9580	1-216-809-11	METAL CHIP	100 5% 1/10W
				R9581	1-216-809-11	METAL CHIP	100 5% 1/10W
				R9582	1-216-833-11	METAL CHIP	10K 5% 1/10W
				R9584	1-216-833-11	METAL CHIP	10K 5% 1/10W



REF. NO.	PART NO.	DESCRIPTION	VALUES			REF. NO.	PART NO.	DESCRIPTION	VALUES		
C3026	1-125-777-11	CERAMIC CHIP	0.1μF	10%	10V	C3085	1-125-777-11	CERAMIC CHIP	0.1μF	10%	10V
C3027	1-126-206-11	ELECT CHIP	100μF	20%	6.3V	C3086	1-125-777-11	CERAMIC CHIP	0.1μF	10%	10V
C3028	1-125-777-11	CERAMIC CHIP	0.1μF	10%	10V	C3087	1-125-777-11	CERAMIC CHIP	0.1μF	10%	10V
C3029	1-125-777-11	CERAMIC CHIP	0.1μF	10%	10V	C3088	1-125-777-11	CERAMIC CHIP	0.1μF	10%	10V
C3030	1-165-908-11	CERAMIC CHIP	1μF	10%	10V	C3089	1-125-777-11	CERAMIC CHIP	0.1μF	10%	10V
C3031	1-126-206-11	ELECT CHIP	100μF	20%	6.3V	C3090	1-125-777-11	CERAMIC CHIP	0.1μF	10%	10V
C3032	1-164-943-11	CERAMIC CHIP	0.01μF	10%	16V	C3091	1-126-206-11	ELECT CHIP	100μF	20%	6.3V
C3033	1-137-710-11	CERAMIC CHIP	10μF	20%	6.3V	C3092	1-126-206-11	ELECT CHIP	100μF	20%	6.3V
C3034	1-125-777-11	CERAMIC CHIP	0.1μF	10%	10V	C3093	1-125-777-11	CERAMIC CHIP	0.1μF	10%	10V
C3035	1-125-777-11	CERAMIC CHIP	0.1μF	10%	10V	C3096	1-126-206-11	ELECT CHIP	100μF	20%	6.3V
C3036	1-125-777-11	CERAMIC CHIP	0.1μF	10%	10V	C3098	1-126-206-11	ELECT CHIP	100μF	20%	6.3V
C3037	1-125-777-11	CERAMIC CHIP	0.1μF	10%	10V	C3100	1-126-206-11	ELECT CHIP	100μF	20%	6.3V
C3038	1-125-777-11	CERAMIC CHIP	0.1μF	10%	10V	C3102	1-126-206-11	ELECT CHIP	100μF	20%	6.3V
C3041	1-164-943-11	CERAMIC CHIP	0.01μF	10%	16V	C3104	1-125-777-11	CERAMIC CHIP	0.1μF	10%	10V
C3042	1-126-206-11	ELECT CHIP	100μF	20%	6.3V	C3105	1-126-206-11	ELECT CHIP	100μF	20%	6.3V
C3043	1-164-943-11	CERAMIC CHIP	0.01μF	10%	16V	C3106	1-125-777-11	CERAMIC CHIP	0.1μF	10%	10V
C3044	1-128-993-21	ELECT CHIP	22μF	20%	10V	C3107	1-165-908-11	CERAMIC CHIP	1μF	10%	10V
C3045	1-126-206-11	ELECT CHIP	100μF	20%	6.3V	C3109	1-164-943-11	CERAMIC CHIP	0.01μF	10%	16V
C3046	1-164-943-11	CERAMIC CHIP	0.01μF	10%	16V	C3110	1-165-908-11	CERAMIC CHIP	1μF	10%	10V
C3047	1-164-943-11	CERAMIC CHIP	0.01μF	10%	16V	C3114	1-125-777-11	CERAMIC CHIP	0.1μF	10%	10V
C3048	1-164-943-11	CERAMIC CHIP	0.01μF	10%	16V	C3116	1-137-710-11	CERAMIC CHIP	10μF	20%	6.3V
C3049	1-164-943-11	CERAMIC CHIP	0.01μF	10%	16V	C3117	1-107-826-11	CERAMIC CHIP	0.1μF	10%	16V
C3050	1-164-943-11	CERAMIC CHIP	0.01μF	10%	16V	C3118	1-117-681-11	ELECT CHIP	100μF	20%	16V
C3054	1-164-943-11	CERAMIC CHIP	0.01μF	10%	16V	C3201	1-164-943-11	CERAMIC CHIP	0.01μF	10%	16V
C3055	1-164-943-11	CERAMIC CHIP	0.01μF	10%	16V	C3202	1-164-943-11	CERAMIC CHIP	0.01μF	10%	16V
C3056	1-164-943-11	CERAMIC CHIP	0.01μF	10%	16V	C3203	1-126-206-11	ELECT CHIP	100μF	20%	6.3V
C3058	1-137-710-11	CERAMIC CHIP	10μF	20%	6.3V	C3204	1-164-943-11	CERAMIC CHIP	0.01μF	10%	16V
C3059	1-126-205-11	ELECT CHIP	47μF	20%	6.3V	C3205	1-164-943-11	CERAMIC CHIP	0.01μF	10%	16V
C3061	1-125-777-11	CERAMIC CHIP	0.1μF	10%	10V	C3206	1-126-204-11	ELECT CHIP	47μF	20%	16V
C3062	1-128-993-21	ELECT CHIP	22μF	20%	10V	C3207	1-164-943-11	CERAMIC CHIP	0.01μF	10%	16V
C3064	1-128-993-21	ELECT CHIP	22μF	20%	10V	C3208	1-164-943-11	CERAMIC CHIP	0.01μF	10%	16V
C3065	1-128-993-21	ELECT CHIP	22μF	20%	10V	C3210	1-164-943-11	CERAMIC CHIP	0.01μF	10%	16V
C3066	1-126-206-11	ELECT CHIP	100μF	20%	6.3V	C3211	1-164-943-11	CERAMIC CHIP	0.01μF	10%	16V
C3070	1-164-943-11	CERAMIC CHIP	0.01μF	10%	16V	C3212	1-164-943-11	CERAMIC CHIP	0.01μF	10%	16V
C3071	1-164-943-11	CERAMIC CHIP	0.01μF	10%	16V	C3213	1-164-943-11	CERAMIC CHIP	0.01μF	10%	16V
C3072	1-165-908-11	CERAMIC CHIP	1μF	10%	10V	C3214	1-164-943-11	CERAMIC CHIP	0.01μF	10%	16V
C3073	1-165-908-11	CERAMIC CHIP	1μF	10%	10V	C3215	1-164-943-11	CERAMIC CHIP	0.01μF	10%	16V
C3074	1-165-908-11	CERAMIC CHIP	1μF	10%	10V	C3216	1-164-943-11	CERAMIC CHIP	0.01μF	10%	16V
C3075	1-165-908-11	CERAMIC CHIP	1μF	10%	10V	C3217	1-126-206-11	ELECT CHIP	100μF	20%	6.3V
C3076	1-165-908-11	CERAMIC CHIP	1μF	10%	10V	C3218	1-164-943-11	CERAMIC CHIP	0.01μF	10%	16V
C3077	1-165-908-11	CERAMIC CHIP	1μF	10%	10V	C3219	1-164-943-11	CERAMIC CHIP	0.01μF	10%	16V
C3078	1-165-908-11	CERAMIC CHIP	1μF	10%	10V	C3222	1-164-943-11	CERAMIC CHIP	0.01μF	10%	16V
C3079	1-124-779-00	ELECT CHIP	10μF	20%	16V	C3224	1-164-943-11	CERAMIC CHIP	0.01μF	10%	16V
C3080	1-124-779-00	ELECT CHIP	10μF	20%	16V	C3225	1-164-943-11	CERAMIC CHIP	0.01μF	10%	16V
C3081	1-124-779-00	ELECT CHIP	10μF	20%	16V	C3227	1-164-943-11	CERAMIC CHIP	0.01μF	10%	16V
C3082	1-124-779-00	ELECT CHIP	10μF	20%	16V	C3229	1-164-943-11	CERAMIC CHIP	0.01μF	10%	16V
C3083	1-124-779-00	ELECT CHIP	10μF	20%	16V	C3231	1-164-943-11	CERAMIC CHIP	0.01μF	10%	16V
C3084	1-124-779-00	ELECT CHIP	10μF	20%	16V	C3232	1-164-943-11	CERAMIC CHIP	0.01μF	10%	16V



REF. NO.	PART NO.	DESCRIPTION	VALUES			REF. NO.	PART NO.	DESCRIPTION	VALUES		
C3233	1-164-943-11	CERAMIC CHIP	0.01μF	10%	16V	C3333	1-125-777-11	CERAMIC CHIP	0.1μF	10%	10V
C3235	1-164-943-11	CERAMIC CHIP	0.01μF	10%	16V	C3334	1-125-777-11	CERAMIC CHIP	0.1μF	10%	10V
C3236	1-164-943-11	CERAMIC CHIP	0.01μF	10%	16V	C3335	1-125-777-11	CERAMIC CHIP	0.1μF	10%	10V
C3237	1-126-204-11	ELECT CHIP	47μF	20%	16V	C3336	1-164-943-11	CERAMIC CHIP	0.01μF	10%	16V
C3238	1-164-943-11	CERAMIC CHIP	0.01μF	10%	16V	C3337	1-164-943-11	CERAMIC CHIP	0.01μF	10%	16V
C3239	1-126-204-11	ELECT CHIP	47μF	20%	16V	C3338	1-164-943-11	CERAMIC CHIP	0.01μF	10%	16V
C3240	1-125-777-11	CERAMIC CHIP	0.1μF	10%	10V	C3339	1-125-777-11	CERAMIC CHIP	0.1μF	10%	10V
C3241	1-164-943-11	CERAMIC CHIP	0.01μF	10%	16V	C3340	1-124-779-00	ELECT CHIP	10μF	20%	16V
C3242	1-164-943-11	CERAMIC CHIP	0.01μF	10%	16V	C3341	1-125-777-11	CERAMIC CHIP	0.1μF	10%	10V
C3243	1-164-943-11	CERAMIC CHIP	0.01μF	10%	16V	C3342	1-125-777-11	CERAMIC CHIP	0.1μF	10%	10V
C3244	1-164-943-11	CERAMIC CHIP	0.01μF	10%	16V	C3343	1-125-777-11	CERAMIC CHIP	0.1μF	10%	10V
C3245	1-164-943-11	CERAMIC CHIP	0.01μF	10%	16V	C3344	1-164-943-11	CERAMIC CHIP	0.01μF	10%	16V
C3246	1-164-943-11	CERAMIC CHIP	0.01μF	10%	16V	C3345	1-125-777-11	CERAMIC CHIP	0.1μF	10%	10V
C3251	1-164-943-11	CERAMIC CHIP	0.01μF	10%	16V	C3346	1-125-777-11	CERAMIC CHIP	0.1μF	10%	10V
C3252	1-126-603-11	ELECT CHIP	4.7μF	20%	35V	C3347	1-164-943-11	CERAMIC CHIP	0.01μF	10%	16V
C3253	1-125-777-11	CERAMIC CHIP	0.1μF	10%	10V	C3348	1-164-943-11	CERAMIC CHIP	0.01μF	10%	16V
C3256	1-164-943-11	CERAMIC CHIP	0.01μF	10%	16V	C3349	1-125-777-11	CERAMIC CHIP	0.1μF	10%	10V
C3301	1-164-943-11	CERAMIC CHIP	0.01μF	10%	16V	C3350	1-125-777-11	CERAMIC CHIP	0.1μF	10%	10V
C3302	1-125-777-11	CERAMIC CHIP	0.1μF	10%	10V	C3351	1-164-854-11	CERAMIC CHIP	15pF	5%	50V
C3303	1-125-777-11	CERAMIC CHIP	0.1μF	10%	10V	C3352	1-125-777-11	CERAMIC CHIP	0.1μF	10%	10V
C3304	1-125-777-11	CERAMIC CHIP	0.1μF	10%	10V	C3353	1-124-779-00	ELECT CHIP	10μF	20%	16V
C3305	1-125-777-11	CERAMIC CHIP	0.1μF	10%	10V	C3354	1-164-854-11	CERAMIC CHIP	15pF	5%	50V
C3306	1-164-943-11	CERAMIC CHIP	0.01μF	10%	16V	C3355	1-125-777-11	CERAMIC CHIP	0.1μF	10%	10V
C3307	1-126-205-11	ELECT CHIP	47μF	20%	6.3V	C3356	1-124-779-00	ELECT CHIP	10μF	20%	16V
C3308	1-126-603-11	ELECT CHIP	4.7μF	20%	35V	C3357	1-125-777-11	CERAMIC CHIP	0.1μF	10%	10V
C3309	1-125-777-11	CERAMIC CHIP	0.1μF	10%	10V	C3359	1-164-943-11	CERAMIC CHIP	0.01μF	10%	16V
C3310	1-125-777-11	CERAMIC CHIP	0.1μF	10%	10V	C3360	1-124-779-00	ELECT CHIP	10μF	20%	16V
C3311	1-125-777-11	CERAMIC CHIP	0.1μF	10%	10V	C3361	1-164-937-11	CERAMIC CHIP	0.001μF	10%	50V
C3312	1-163-021-91	CERAMIC CHIP	0.01μF	10%	50V	C3362	1-164-937-11	CERAMIC CHIP	0.001μF	10%	50V
C3313	1-125-777-11	CERAMIC CHIP	0.1μF	10%	10V	C3364	1-164-943-11	CERAMIC CHIP	0.01μF	10%	16V
C3314	1-126-206-11	ELECT CHIP	100μF	20%	6.3V	C3365	1-125-777-11	CERAMIC CHIP	0.1μF	10%	10V
C3315	1-125-777-11	CERAMIC CHIP	0.1μF	10%	10V	C3366	1-164-943-11	CERAMIC CHIP	0.01μF	10%	16V
C3316	1-164-943-11	CERAMIC CHIP	0.01μF	10%	16V	C3367	1-164-943-11	CERAMIC CHIP	0.01μF	10%	16V
C3317	1-125-777-11	CERAMIC CHIP	0.1μF	10%	10V	C3368	1-164-943-11	CERAMIC CHIP	0.01μF	10%	16V
C3318	1-126-205-11	ELECT CHIP	47μF	20%	6.3V	C3369	1-164-943-11	CERAMIC CHIP	0.01μF	10%	16V
C3319	1-124-779-00	ELECT CHIP	10μF	20%	16V	C3370	1-125-777-11	CERAMIC CHIP	0.1μF	10%	10V
C3320	1-128-993-21	ELECT CHIP	22μF	20%	10V	C3371	1-125-777-11	CERAMIC CHIP	0.1μF	10%	10V
C3321	1-126-204-11	ELECT CHIP	47μF	20%	16V	C3372	1-164-943-11	CERAMIC CHIP	0.01μF	10%	16V
C3322	1-126-205-11	ELECT CHIP	47μF	20%	6.3V	C3373	1-164-943-11	CERAMIC CHIP	0.01μF	10%	16V
C3323	1-126-205-11	ELECT CHIP	47μF	20%	6.3V	C3374	1-164-943-11	CERAMIC CHIP	0.01μF	10%	16V
C3325	1-126-246-11	ELECT CHIP	220μF	20%	4V	C3375	1-164-943-11	CERAMIC CHIP	0.01μF	10%	16V
C3326	1-126-205-11	ELECT CHIP	47μF	20%	6.3V	C3376	1-164-943-11	CERAMIC CHIP	0.01μF	10%	16V
C3327	1-125-777-11	CERAMIC CHIP	0.1μF	10%	10V	C3377	1-164-943-11	CERAMIC CHIP	0.01μF	10%	16V
C3328	1-125-777-11	CERAMIC CHIP	0.1μF	10%	10V	C3378	1-164-943-11	CERAMIC CHIP	0.01μF	10%	16V
C3329	1-165-643-21	ELECT CHIP	150μF	20%	4V	C3379	1-164-943-11	CERAMIC CHIP	0.01μF	10%	16V
C3330	1-125-777-11	CERAMIC CHIP	0.1μF	10%	10V	C3380	1-164-943-11	CERAMIC CHIP	0.01μF	10%	16V
C3331	1-125-777-11	CERAMIC CHIP	0.1μF	10%	10V	C3381	1-164-943-11	CERAMIC CHIP	0.01μF	10%	16V
C3332	1-125-777-11	CERAMIC CHIP	0.1μF	10%	10V	C3382	1-164-943-11	CERAMIC CHIP	0.01μF	10%	16V



REF. NO.	PART NO.	DESCRIPTION	VALUES			REF. NO.	PART NO.	DESCRIPTION	VALUES		
C3383	1-164-943-11	CERAMIC CHIP	0.01μF	10%	16V	C3515	1-164-943-11	CERAMIC CHIP	0.01μF	10%	16V
C3384	1-164-943-11	CERAMIC CHIP	0.01μF	10%	16V	C3516	1-164-943-11	CERAMIC CHIP	0.01μF	10%	16V
C3385	1-164-943-11	CERAMIC CHIP	0.01μF	10%	16V	C3517	1-164-943-11	CERAMIC CHIP	0.01μF	10%	16V
C3386	1-164-943-11	CERAMIC CHIP	0.01μF	10%	16V	C3518	1-164-943-11	CERAMIC CHIP	0.01μF	10%	16V
C3387	1-164-943-11	CERAMIC CHIP	0.01μF	10%	16V	C3519	1-164-943-11	CERAMIC CHIP	0.01μF	10%	16V
C3388	1-164-943-11	CERAMIC CHIP	0.01μF	10%	16V	C3520	1-164-943-11	CERAMIC CHIP	0.01μF	10%	16V
C3389	1-164-943-11	CERAMIC CHIP	0.01μF	10%	16V	C3521	1-164-943-11	CERAMIC CHIP	0.01μF	10%	16V
C3390	1-164-943-11	CERAMIC CHIP	0.01μF	10%	16V	C3522	1-164-943-11	CERAMIC CHIP	0.01μF	10%	16V
C3391	1-164-943-11	CERAMIC CHIP	0.01μF	10%	16V	C3523	1-164-943-11	CERAMIC CHIP	0.01μF	10%	16V
C3392	1-164-943-11	CERAMIC CHIP	0.01μF	10%	16V	C3524	1-164-943-11	CERAMIC CHIP	0.01μF	10%	16V
C3393	1-164-943-11	CERAMIC CHIP	0.01μF	10%	16V	C3525	1-164-943-11	CERAMIC CHIP	0.01μF	10%	16V
C3394	1-164-943-11	CERAMIC CHIP	0.01μF	10%	16V	C3526	1-164-943-11	CERAMIC CHIP	0.01μF	10%	16V
C3395	1-164-943-11	CERAMIC CHIP	0.01μF	10%	16V	C3527	1-164-943-11	CERAMIC CHIP	0.01μF	10%	16V
C3396	1-164-943-11	CERAMIC CHIP	0.01μF	10%	16V	C3528	1-164-943-11	CERAMIC CHIP	0.01μF	10%	16V
C3397	1-164-943-11	CERAMIC CHIP	0.01μF	10%	16V	C3529	1-164-943-11	CERAMIC CHIP	0.01μF	10%	16V
C3398	1-164-943-11	CERAMIC CHIP	0.01μF	10%	16V	C3530	1-164-943-11	CERAMIC CHIP	0.01μF	10%	16V
C3399	1-164-943-11	CERAMIC CHIP	0.01μF	10%	16V	C3531	1-164-943-11	CERAMIC CHIP	0.01μF	10%	16V
C3400	1-164-943-11	CERAMIC CHIP	0.01μF	10%	16V	C3532	1-124-779-00	ELECT CHIP	10μF	20%	16V
C3401	1-164-943-11	CERAMIC CHIP	0.01μF	10%	16V	C3533	1-124-779-00	ELECT CHIP	10μF	20%	16V
C3402	1-164-943-11	CERAMIC CHIP	0.01μF	10%	16V	C3534	1-125-777-11	CERAMIC CHIP	0.1μF	10%	10V
C3403	1-164-943-11	CERAMIC CHIP	0.01μF	10%	16V	C3535	1-125-777-11	CERAMIC CHIP	0.1μF	10%	10V
C3404	1-164-943-11	CERAMIC CHIP	0.01μF	10%	16V	C3536	1-137-710-11	CERAMIC CHIP	10μF	20%	6.3V
C3405	1-164-943-11	CERAMIC CHIP	0.01μF	10%	16V	C3537	1-164-943-11	CERAMIC CHIP	0.01μF	10%	16V
C3406	1-164-943-11	CERAMIC CHIP	0.01μF	10%	16V	C3538	1-164-937-11	CERAMIC CHIP	0.001μF	10%	50V
C3407	1-164-943-11	CERAMIC CHIP	0.01μF	10%	16V	C3539	1-137-710-11	CERAMIC CHIP	10μF	20%	6.3V
C3408	1-164-943-11	CERAMIC CHIP	0.01μF	10%	16V	C3540	1-125-777-11	CERAMIC CHIP	0.1μF	10%	10V
C3409	1-128-993-21	ELECT CHIP	22μF	20%	10V	C3541	1-164-937-11	CERAMIC CHIP	0.001μF	10%	50V
C3410	1-128-993-21	ELECT CHIP	22μF	20%	10V	C3542	1-164-943-11	CERAMIC CHIP	0.01μF	10%	16V
C3416	1-126-206-11	ELECT CHIP	100μF	20%	6.3V	C3543	1-125-777-11	CERAMIC CHIP	0.1μF	10%	10V
C3417	1-125-777-11	CERAMIC CHIP	0.1μF	10%	10V	C3544	1-125-777-11	CERAMIC CHIP	0.1μF	10%	10V
C3418	1-104-601-11	ELECT CHIP	10μF	20%	10V	C3545	1-164-937-11	CERAMIC CHIP	0.001μF	10%	50V
C3419	1-104-601-11	ELECT CHIP	10μF	20%	10V	C3546	1-125-777-11	CERAMIC CHIP	0.1μF	10%	10V
C3420	1-104-601-11	ELECT CHIP	10μF	20%	10V	C3547	1-125-777-11	CERAMIC CHIP	0.1μF	10%	10V
C3422	1-128-993-21	ELECT CHIP	22μF	20%	10V	C3548	1-164-943-11	CERAMIC CHIP	0.01μF	10%	16V
C3423	1-164-874-11	CERAMIC CHIP	100pF	5%	50V	C3549	1-125-777-11	CERAMIC CHIP	0.1μF	10%	10V
C3501	1-164-943-11	CERAMIC CHIP	0.01μF	10%	16V	C3550	1-137-710-11	CERAMIC CHIP	10μF	20%	6.3V
C3503	1-164-943-11	CERAMIC CHIP	0.01μF	10%	16V	C3551	1-164-937-11	CERAMIC CHIP	0.001μF	10%	50V
C3504	1-164-943-11	CERAMIC CHIP	0.01μF	10%	16V	C3552	1-164-943-11	CERAMIC CHIP	0.01μF	10%	16V
C3505	1-164-943-11	CERAMIC CHIP	0.01μF	10%	16V	C3553	1-125-777-11	CERAMIC CHIP	0.1μF	10%	10V
C3506	1-164-943-11	CERAMIC CHIP	0.01μF	10%	16V	C3554	1-164-937-11	CERAMIC CHIP	0.001μF	10%	50V
C3507	1-164-943-11	CERAMIC CHIP	0.01μF	10%	16V	C3555	1-164-943-11	CERAMIC CHIP	0.01μF	10%	16V
C3508	1-164-943-11	CERAMIC CHIP	0.01μF	10%	16V	C3556	1-125-777-11	CERAMIC CHIP	0.1μF	10%	10V
C3509	1-164-943-11	CERAMIC CHIP	0.01μF	10%	16V	C3557	1-137-710-11	CERAMIC CHIP	10μF	20%	6.3V
C3510	1-125-777-11	CERAMIC CHIP	0.1μF	10%	10V	C3558	1-137-710-11	CERAMIC CHIP	10μF	20%	6.3V
C3511	1-164-943-11	CERAMIC CHIP	0.01μF	10%	16V	C3559	1-137-710-11	CERAMIC CHIP	10μF	20%	6.3V
C3512	1-164-943-11	CERAMIC CHIP	0.01μF	10%	16V	C3560	1-125-777-11	CERAMIC CHIP	0.1μF	10%	10V
C3513	1-164-943-11	CERAMIC CHIP	0.01μF	10%	16V	C3561	1-164-943-11	CERAMIC CHIP	0.01μF	10%	16V
C3514	1-164-943-11	CERAMIC CHIP	0.01μF	10%	16V	C3562	1-164-937-11	CERAMIC CHIP	0.001μF	10%	50V



REF. NO.	PART NO.	DESCRIPTION	VALUES			REF. NO.	PART NO.	DESCRIPTION	VALUES		
C3602	1-125-777-11	CERAMIC CHIP	0.1μF	10%	10V	C3656	1-107-826-11	CERAMIC CHIP	0.1μF	10%	16V
C3603	1-164-943-11	CERAMIC CHIP	0.01μF	10%	16V	C3659	1-107-826-11	CERAMIC CHIP	0.1μF	10%	16V
C3604	1-128-993-21	ELECT CHIP	22μF	20%	10V	C3660	1-107-826-11	CERAMIC CHIP	0.1μF	10%	16V
C3605	1-125-777-11	CERAMIC CHIP	0.1μF	10%	10V	C3661	1-107-826-11	CERAMIC CHIP	0.1μF	10%	16V
C3606	1-128-993-21	ELECT CHIP	22μF	20%	10V	C3662	1-164-872-11	CERAMIC CHIP	82pF	5%	50V
C3607	1-164-943-11	CERAMIC CHIP	0.01μF	10%	16V	C3663	1-107-826-11	CERAMIC CHIP	0.1μF	10%	16V
C3608	1-125-777-11	CERAMIC CHIP	0.1μF	10%	10V	C3664	1-164-872-11	CERAMIC CHIP	82pF	5%	50V
C3609	1-164-943-11	CERAMIC CHIP	0.01μF	10%	16V	C3665	1-117-681-11	ELECT CHIP	100μF	20%	16V
C3610	1-125-777-11	CERAMIC CHIP	0.1μF	10%	10V	C3666	1-164-943-11	CERAMIC CHIP	0.01μF	10%	16V
C3611	1-128-993-21	ELECT CHIP	22μF	20%	10V	C3667	1-164-943-11	CERAMIC CHIP	0.01μF	10%	16V
C3612	1-125-777-11	CERAMIC CHIP	0.1μF	10%	10V	C3668	1-137-987-81	CERAMIC CHIP	0.068μF	10%	10V
C3613	1-128-993-21	ELECT CHIP	22μF	20%	10V	C3669	1-125-777-11	CERAMIC CHIP	0.1μF	10%	10V
C3614	1-128-993-21	ELECT CHIP	22μF	20%	10V	C3670	1-117-681-11	ELECT CHIP	100μF	20%	16V
C3615	1-164-943-11	CERAMIC CHIP	0.01μF	10%	16V	C3671	1-164-943-11	CERAMIC CHIP	0.01μF	10%	16V
C3616	1-164-943-11	CERAMIC CHIP	0.01μF	10%	16V	C3672	1-125-777-11	CERAMIC CHIP	0.1μF	10%	10V
C3617	1-128-993-21	ELECT CHIP	22μF	20%	10V	C3673	1-164-943-11	CERAMIC CHIP	0.01μF	10%	16V
C3618	1-125-777-11	CERAMIC CHIP	0.1μF	10%	10V	C3674	1-137-987-81	CERAMIC CHIP	0.068μF	10%	10V
C3619	1-125-777-11	CERAMIC CHIP	0.1μF	10%	10V	C3675	1-164-943-11	CERAMIC CHIP	0.01μF	10%	16V
C3620	1-137-710-11	CERAMIC CHIP	10μF	20%	6.3V	C3676	1-137-987-81	CERAMIC CHIP	0.068μF	10%	10V
C3621	1-125-777-11	CERAMIC CHIP	0.1μF	10%	10V	C3677	1-164-937-11	CERAMIC CHIP	0.001μF	10%	50V
C3622	1-125-777-11	CERAMIC CHIP	0.1μF	10%	10V	C3678	1-164-942-11	CERAMIC CHIP	0.0068μF	10%	16V
C3625	1-125-777-11	CERAMIC CHIP	0.1μF	10%	10V	C3679	1-164-937-11	CERAMIC CHIP	0.001μF	10%	50V
C3626	1-125-777-11	CERAMIC CHIP	0.1μF	10%	10V	C3680	1-164-942-11	CERAMIC CHIP	0.0068μF	10%	16V
C3627	1-117-681-11	ELECT CHIP	100μF	20%	16V	C3681	1-164-937-11	CERAMIC CHIP	0.001μF	10%	50V
C3628	1-117-681-11	ELECT CHIP	100μF	20%	16V	C3682	1-164-942-11	CERAMIC CHIP	0.0068μF	10%	16V
C3629	1-125-777-11	CERAMIC CHIP	0.1μF	10%	10V	C3683	1-125-777-11	CERAMIC CHIP	0.1μF	10%	10V
C3630	1-164-937-11	CERAMIC CHIP	0.001μF	10%	50V	C3802	1-117-681-11	ELECT CHIP	100μF	20%	16V
C3631	1-164-852-11	CERAMIC CHIP	12pF	5%	50V	C3803	1-125-777-11	CERAMIC CHIP	0.1μF	10%	10V
C3632	1-164-852-11	CERAMIC CHIP	12pF	5%	50V	C3804	1-126-206-11	ELECT CHIP	100μF	20%	6.3V
C3633	1-125-777-11	CERAMIC CHIP	0.1μF	10%	10V	C3805	1-125-777-11	CERAMIC CHIP	0.1μF	10%	10V
C3634	1-125-777-11	CERAMIC CHIP	0.1μF	10%	10V	C3806	1-164-852-11	CERAMIC CHIP	12pF	5%	50V
C3635	1-164-943-11	CERAMIC CHIP	0.01μF	10%	16V	C3807	1-164-852-11	CERAMIC CHIP	12pF	5%	50V
C3636	1-164-937-11	CERAMIC CHIP	0.001μF	10%	50V	C3808	1-164-842-11	CERAMIC CHIP	2pF	0.25pF	50V
C3637	1-125-777-11	CERAMIC CHIP	0.1μF	10%	10V	C3809	1-127-988-81	CERAMIC CHIP	15000pF	10%	16V
C3638	1-125-777-11	CERAMIC CHIP	0.1μF	10%	10V	C3811	1-125-777-11	CERAMIC CHIP	0.1μF	10%	10V
C3639	1-164-856-81	CERAMIC CHIP	18pF	5%	50V	C3812	1-164-941-11	CERAMIC CHIP	0.0047μF	10%	16V
C3640	1-164-854-11	CERAMIC CHIP	15pF	5%	50V	C3813	1-125-777-11	CERAMIC CHIP	0.1μF	10%	10V
C3641	1-126-206-11	ELECT CHIP	100μF	20%	6.3V	C3814	1-125-777-11	CERAMIC CHIP	0.1μF	10%	10V
C3642	1-164-943-11	CERAMIC CHIP	0.01μF	10%	16V	C3816	1-164-941-11	CERAMIC CHIP	0.0047μF	10%	16V
C3644	1-125-777-11	CERAMIC CHIP	0.1μF	10%	10V	C3817	1-125-777-11	CERAMIC CHIP	0.1μF	10%	10V
C3646	1-126-206-11	ELECT CHIP	100μF	20%	6.3V	C3818	1-125-777-11	CERAMIC CHIP	0.1μF	10%	10V
C3647	1-164-943-11	CERAMIC CHIP	0.01μF	10%	16V	C3819	1-164-943-11	CERAMIC CHIP	0.01μF	10%	16V
C3648	1-125-777-11	CERAMIC CHIP	0.1μF	10%	10V	C3820	1-164-943-11	CERAMIC CHIP	0.01μF	10%	16V
C3649	1-164-937-11	CERAMIC CHIP	0.001μF	10%	50V	C3821	1-125-777-11	CERAMIC CHIP	0.1μF	10%	10V
C3650	1-165-908-11	CERAMIC CHIP	1μF	10%	10V						
C3653	1-164-943-11	CERAMIC CHIP	0.01μF	10%	16V						
C3654	1-164-943-11	CERAMIC CHIP	0.01μF	10%	16V						
C3655	1-125-777-11	CERAMIC CHIP	0.1μF	10%	10V						



REF. NO.	PART NO.	DESCRIPTION	VALUES	REF. NO.	PART NO.	DESCRIPTION	VALUES
CONNECTOR				FL3006	1-234-560-21	FILTER, LOW PASS	
*	CN3501	1-818-562-21	CONNECTOR (RECEPTACLE) 17P	FL3007	1-234-177-21	FERRITE	0μH
*	CN3502	1-818-562-21	CONNECTOR (RECEPTACLE) 17P	FL3200	1-234-177-21	FERRITE	0μH
*	CN3603	1-691-551-11	PIN, CONNECTOR (SMD) 8P	FL3201	1-234-177-21	FERRITE	0μH
	CN3605	1-794-087-11	CONNECTOR, BOARD TO BOARD 19P	FL3601	1-234-494-21	FILTER, EMI REMOVAL (SMD)	
	CN3801	1-770-627-21	PIN, CONNECTOR 10P	FL3602	1-234-494-21	FILTER, EMI REMOVAL (SMD)	
DIODE				FL3604	1-234-494-21	FILTER, EMI REMOVAL (SMD)	
D3205	8-719-050-38	DIODE	M1MA152WK-T1	FL3605	1-234-494-21	FILTER, EMI REMOVAL (SMD)	
D3206	8-719-050-37	DIODE	M1MA152WA-T1	FL3606	1-234-494-21	FILTER, EMI REMOVAL (SMD)	
D3301	8-719-083-58	DIODE	UDZSTE-173.9B	IC			
D3501	8-719-081-97	DIODE	MMDL914T1	IC3001	8-753-209-17	IC	CXD3807GB
D3502	8-719-081-97	DIODE	MMDL914T1	IC3002	6-705-403-01	IC	PQ070XZ01ZPH
D3503	8-719-081-97	DIODE	MMDL914T1	IC3003	6-706-873-01	IC	MT48LC4M16A2P-75-Y14W-G
D3504	8-719-081-97	DIODE	MMDL914T1	IC3004	6-706-892-01	IC	SM5302AS-G-ET
D3505	8-719-081-97	DIODE	MMDL914T1	IC3005	6-706-892-01	IC	SM5302AS-G-ET
D3506	8-719-081-97	DIODE	MMDL914T1	IC3006	8-759-680-92	IC	MAX4018EEE-TG068
D3507	8-719-081-97	DIODE	MMDL914T1	IC3008	8-759-581-11	IC	NJM2125F(TE2)
D3508	8-719-081-97	DIODE	MMDL914T1	IC3201	8-752-422-52	IC	CXD2097BQ
D3509	8-719-081-97	DIODE	MMDL914T1	IC3202	6-705-992-11	IC	HY57V161610ETP-7DR
D3510	8-719-081-97	DIODE	MMDL914T1	IC3204	8-759-669-78	IC	TLC2933IPWR-12
D3609	8-719-050-37	DIODE	M1MA152WA-T1	IC3301	8-759-669-75	IC	TLC2932IPWR
D3610	8-719-050-38	DIODE	M1MA152WK-T1	IC3302	6-706-487-01	IC	TC7SH08FU(T5RSOYJF)
D3611	8-719-050-37	DIODE	M1MA152WA-T1	IC3303	6-705-921-01	IC	TLV5734
D3612	8-719-050-38	DIODE	M1MA152WK-T1	IC3304	6-704-992-01	IC	CXD9707DGP
D3613	8-719-081-97	DIODE	MMDL914T1	IC3305	6-707-044-01	IC	CYISM560BSXT
D3801	8-719-081-97	DIODE	MMDL914T1	IC3306	6-706-155-01	IC	MT48LC2M32B2P-6-Y14W
D3804	8-719-081-97	DIODE	MMDL914T1	IC3307	6-706-155-01	IC	MT48LC2M32B2P-6-Y14W
D3808	8-719-050-38	DIODE	M1MA152WK-T1	IC3308	8-759-592-42	IC	TC7S200FU(TE85R)
D3809	8-719-050-37	DIODE	M1MA152WA-T1	IC3309	6-705-403-01	IC	PQ070XZ01ZPH
FERRITE BEAD				IC3502	6-702-973-01	IC	CXD9690Q
FB3203	1-469-110-21	FERRITE	0μH	IC3503	6-704-519-01	IC	THC63LVD103
FB3204	1-216-864-11	SHORT CHIP		IC3504	6-704-632-01	IC	THC63LVD104A
FB3301	1-414-229-11	FERRITE	0μH	IC3602	6-704-879-01	IC	NJU7223DL1-25
FB3302	1-414-229-11	FERRITE	0μH	IC3603	8-759-695-94	IC	TAR5S33(TE85R)
FILTER				IC3604	8-753-228-50	IC	CXQ91F318-106R
FL3001	1-234-177-21	FERRITE	0μH	IC3605	6-801-402-01	IC	BD4729GTR
FL3002	1-234-177-21	FERRITE	0μH	IC3606	6-801-402-01	IC	BD4729GTR
FL3003	1-234-177-21	FERRITE	0μH	IC3607	6-702-688-01	IC	M24C64-WMN6T(B)
FL3004	1-234-177-21	FERRITE	0μH	IC3608	6-706-487-01	IC	TC7SH08FU(T5RSOYJF)
FL3005	1-234-560-21	FILTER, LOW PASS		IC3801	6-804-883-01	IC	M306V3FGFP-04GW2
				IC3802	8-759-488-29	IC	TC7W66FU(TE12R)
				IC3803	6-704-067-01	IC	M24128-BWMN6T(A)
				IC3804	8-759-677-29	IC	TC74LVX125FT(EL)
				IC3805	6-701-680-01	IC	PST3629NR
				IC3806	6-701-680-01	IC	PST3629NR



REF. NO.	PART NO.	DESCRIPTION	VALUES	REF. NO.	PART NO.	DESCRIPTION	VALUES
IC3807	6-801-402-01	IC	BD4729GTR	L3601	1-469-555-21	INDUCTOR	10μH
IC3808	6-702-767-01	IC	BD4745G-TR	L3602	1-469-555-21	INDUCTOR	10μH
	COIL			L3603	1-469-555-21	INDUCTOR	10μH
L3001	1-469-549-21	INDUCTOR	1μH	L3604	1-469-555-21	INDUCTOR	10μH
L3004	1-469-549-21	INDUCTOR	1μH	L3605	1-469-555-21	INDUCTOR	10μH
L3005	1-469-549-21	INDUCTOR	1μH				
L3006	1-469-549-21	INDUCTOR	1μH	L3606	1-469-555-21	INDUCTOR	10μH
L3007	1-469-549-21	INDUCTOR	1μH	L3801	1-469-555-21	INDUCTOR	10μH
				L3802	1-469-555-21	INDUCTOR	10μH
L3008	1-469-549-21	INDUCTOR	1μH		TRANSISTOR		
L3009	1-469-549-21	INDUCTOR	1μH	Q3001	8-729-120-28	TRANSISTOR	2SC1623-L5L6
L3010	1-469-549-21	INDUCTOR	1μH	Q3002	8-729-117-73	TRANSISTOR	2SC4178-F14
L3011	1-412-029-11	INDUCTOR	10μH	Q3003	8-729-117-73	TRANSISTOR	2SC4178-F14
L3012	1-412-029-11	INDUCTOR	10μH	Q3004	8-729-117-73	TRANSISTOR	2SC4178-F14
				Q3005	8-729-117-73	TRANSISTOR	2SC4178-F14
L3013	1-469-549-21	INDUCTOR	1μH				
L3015	1-469-555-21	INDUCTOR	10μH	Q3006	8-729-117-73	TRANSISTOR	2SC4178-F14
L3016	1-469-549-21	INDUCTOR	1μH	Q3007	8-729-122-63	TRANSISTOR	2SA1226-E4
L3017	1-469-549-21	INDUCTOR	1μH	Q3008	8-729-122-63	TRANSISTOR	2SA1226-E4
L3201	1-469-549-21	INDUCTOR	1μH	Q3009	8-729-122-63	TRANSISTOR	2SA1226-E4
				Q3010	8-729-122-63	TRANSISTOR	2SA1226-E4
L3202	1-469-561-21	INDUCTOR	100μH				
L3203	1-469-561-21	INDUCTOR	100μH	Q3011	8-729-117-73	TRANSISTOR	2SC4178-F14
L3204	1-469-549-21	INDUCTOR	1μH	Q3012	8-729-117-73	TRANSISTOR	2SC4178-F14
L3205	1-469-549-21	INDUCTOR	1μH	Q3013	8-729-122-63	TRANSISTOR	2SA1226-E4
L3206	1-469-549-21	INDUCTOR	1μH	Q3014	8-729-122-63	TRANSISTOR	2SA1226-E4
				Q3015	8-729-122-63	TRANSISTOR	2SA1226-E4
L3301	1-469-561-21	INDUCTOR	100μH				
L3302	1-469-561-21	INDUCTOR	100μH	Q3016	8-729-122-63	TRANSISTOR	2SA1226-E4
L3303	1-469-555-21	INDUCTOR	10μH	Q3018	8-729-122-63	TRANSISTOR	2SA1226-E4
L3304	1-469-549-21	INDUCTOR	1μH	Q3019	8-729-122-63	TRANSISTOR	2SA1226-E4
L3305	1-412-029-11	INDUCTOR	10μH	Q3020	8-729-122-63	TRANSISTOR	2SA1226-E4
				Q3021	8-729-117-73	TRANSISTOR	2SC4178-F14
L3306	1-469-555-21	INDUCTOR	10μH				
L3307	1-412-053-21	INDUCTOR	1.5μH	Q3203	8-729-905-35	TRANSISTOR	2SC4081-R
L3308	1-412-053-21	INDUCTOR	1.5μH	Q3204	8-729-026-53	TRANSISTOR	2SA1576A-T106-QR
L3309	1-412-058-11	INDUCTOR	10μH	Q3302	8-729-905-35	TRANSISTOR	2SC4081-R
L3310	1-412-029-11	INDUCTOR	10μH	Q3303	8-729-905-35	TRANSISTOR	2SC4081-R
				Q3304	8-729-117-73	TRANSISTOR	2SC4178-F14
L3311	1-412-029-11	INDUCTOR	10μH				
L3312	1-412-029-11	INDUCTOR	10μH	Q3305	8-729-117-73	TRANSISTOR	2SC4178-F14
L3313	1-469-549-21	INDUCTOR	1μH	Q3306	8-729-117-73	TRANSISTOR	2SC4178-F14
L3314	1-469-549-21	INDUCTOR	1μH	Q3307	8-729-122-63	TRANSISTOR	2SA1226-E4
L3315	1-469-549-21	INDUCTOR	1μH	Q3308	8-729-122-63	TRANSISTOR	2SA1226-E4
				Q3309	8-729-122-63	TRANSISTOR	2SA1226-E4
L3316	1-469-555-21	INDUCTOR	10μH				
L3502	1-469-555-21	INDUCTOR	10μH	Q3603	8-729-905-35	TRANSISTOR	2SC4081-R
L3503	1-412-026-11	INDUCTOR	1μH	Q3604	8-729-905-35	TRANSISTOR	2SC4081-R
L3504	1-412-029-11	INDUCTOR	10μH	Q3606	8-729-905-35	TRANSISTOR	2SC4081-R
L3505	1-469-555-21	INDUCTOR	10μH	Q3607	8-729-905-35	TRANSISTOR	2SC4081-R
				Q3608	8-729-901-47	TRANSISTOR	DTA143EK
L3506	1-469-555-21	INDUCTOR	10μH				
L3507	1-469-555-21	INDUCTOR	10μH				
L3508	1-469-555-21	INDUCTOR	10μH				



REF. NO.	PART NO.	DESCRIPTION	VALUES	REF. NO.	PART NO.	DESCRIPTION	VALUES
Q3610	8-729-027-23	TRANSISTOR	DTA114EKA-T146	R3031	1-218-965-11	RES-CHIP	10K 5% 1/16W
Q3612	8-729-905-35	TRANSISTOR	2SC4081-R	R3032	1-218-990-11	SHORT CHIP	
Q3615	8-729-028-28	TRANSISTOR	2SK2036(TE85L)	R3033	1-218-990-11	SHORT CHIP	
Q3616	8-729-905-35	TRANSISTOR	2SC4081-R	R3034	1-218-990-11	SHORT CHIP	
Q3617	8-729-905-35	TRANSISTOR	2SC4081-R	R3036	1-208-699-11	METAL CHIP	4.7K 0.50% 1/16W
Q3619	8-729-028-28	TRANSISTOR	2SK2036(TE85L)	R3038	1-218-965-11	RES-CHIP	10K 5% 1/16W
Q3620	8-729-905-35	TRANSISTOR	2SC4081-R	R3039	1-220-884-81	METAL CHIP	39 0.50% 1/16W
Q3621	8-729-026-53	TRANSISTOR	2SA1576A-T106-QR	R3040	1-218-929-11	RES-CHIP	10 5% 1/16W
Q3622	8-729-026-53	TRANSISTOR	2SA1576A-T106-QR	R3041	1-218-945-11	RES-CHIP	220 5% 1/16W
Q3623	8-729-026-53	TRANSISTOR	2SA1576A-T106-QR	R3042	1-208-699-11	METAL CHIP	4.7K 0.50% 1/16W
Q3624	8-729-026-53	TRANSISTOR	2SA1576A-T106-QR	R3043	1-208-683-11	METAL CHIP	1K 0.50% 1/16W
Q3801	8-729-905-35	TRANSISTOR	2SC4081-R	R3044	1-218-849-11	METAL CHIP	1.2K 0.50% 1/10W
Q3802	8-729-027-23	TRANSISTOR	DTA114EKA-T146	R3045	1-208-885-11	METAL CHIP	820 0.50% 1/16W
Q3803	8-729-905-35	TRANSISTOR	2SC4081-R	R3046	1-218-943-11	RES-CHIP	150 5% 1/16W
Q3804	8-729-905-35	TRANSISTOR	2SC4081-R	R3047	1-218-943-11	RES-CHIP	150 5% 1/16W
Q3805	8-729-905-35	TRANSISTOR	2SC4081-R	R3048	1-218-943-11	RES-CHIP	150 5% 1/16W
Q3807	8-729-905-35	TRANSISTOR	2SC4081-R	R3049	1-218-943-11	RES-CHIP	150 5% 1/16W
Q3808	8-729-028-28	TRANSISTOR	2SK2036(TE85L)	R3050	1-218-943-11	RES-CHIP	150 5% 1/16W
Q3809	8-729-028-28	TRANSISTOR	2SK2036(TE85L)	R3051	1-218-943-11	RES-CHIP	150 5% 1/16W
				R3052	1-218-990-11	SHORT CHIP	
				R3053	1-218-943-11	RES-CHIP	150 5% 1/16W
				R3054	1-218-937-11	RES-CHIP	47 5% 1/16W
				R3055	1-218-990-11	SHORT CHIP	
				R3056	1-218-937-11	RES-CHIP	47 5% 1/16W
				R3057	1-218-941-81	RES-CHIP	100 5% 1/16W
				R3058	1-218-937-11	RES-CHIP	47 5% 1/16W
				R3059	1-218-948-11	RES-CHIP	390 5% 1/16W
				R3060	1-218-939-11	RES-CHIP	68 5% 1/16W
				R3061	1-218-929-11	RES-CHIP	10 5% 1/16W
				R3062	1-218-949-11	RES-CHIP	470 5% 1/16W
				R3063	1-218-937-11	RES-CHIP	47 5% 1/16W
				R3064	1-208-679-11	METAL CHIP	680 0.50% 1/16W
				R3065	1-208-679-11	METAL CHIP	680 0.50% 1/16W
				R3066	1-208-683-11	METAL CHIP	1K 0.50% 1/16W
				R3067	1-218-941-11	RES-CHIP	100 5% 1/16W
				R3070	1-218-929-11	RES-CHIP	10 5% 1/16W
				R3071	1-218-953-11	RES-CHIP	1K 5% 1/16W
				R3072	1-218-937-11	RES-CHIP	47 5% 1/16W
				R3073	1-218-937-11	RES-CHIP	47 5% 1/16W
				R3074	1-218-937-11	RES-CHIP	47 5% 1/16W
				R3076	1-208-675-11	METAL CHIP	470 0.50% 1/16W
				R3077	1-218-957-11	RES-CHIP	2.2K 5% 1/16W
				R3078	1-218-957-11	RES-CHIP	2.2K 5% 1/16W
				R3079	1-208-679-11	METAL CHIP	680 0.50% 1/16W
				R3080	1-208-679-11	METAL CHIP	680 0.50% 1/16W
				R3081	1-218-948-11	RES-CHIP	390 5% 1/16W
				R3082	1-208-675-11	METAL CHIP	470 0.50% 1/16W
				R3083	1-218-948-11	RES-CHIP	390 5% 1/16W

RESISTOR



REF. NO.	PART NO.	DESCRIPTION	VALUES			REF. NO.	PART NO.	DESCRIPTION	VALUES		
R3084	1-208-675-11	METAL CHIP	470	0.50%	1/16W	R3150	1-208-683-11	METAL CHIP	1K	0.50%	1/16W
R3085	1-208-683-11	METAL CHIP	1K	0.50%	1/16W	R3151	1-208-671-11	METAL CHIP	330	0.50%	1/16W
R3086	1-218-941-11	RES-CHIP	100	5%	1/16W	R3152	1-218-937-11	RES-CHIP	47	5%	1/16W
R3087	1-218-929-11	RES-CHIP	10	5%	1/16W	R3153	1-208-687-11	METAL CHIP	1.5K	0.50%	1/16W
R3088	1-218-929-11	RES-CHIP	10	5%	1/16W	R3154	1-208-647-11	METAL CHIP	33	0.50%	1/16W
R3089	1-218-929-11	RES-CHIP	10	5%	1/16W	R3155	1-218-937-11	RES-CHIP	47	5%	1/16W
R3090	1-218-953-11	RES-CHIP	1K	5%	1/16W	R3156	1-218-990-11	SHORT CHIP			
R3091	1-218-953-11	RES-CHIP	1K	5%	1/16W	R3157	1-218-990-11	SHORT CHIP			
R3092	1-218-953-11	RES-CHIP	1K	5%	1/16W	R3158	1-218-990-11	SHORT CHIP			
R3093	1-218-929-11	RES-CHIP	10	5%	1/16W	R3159	1-218-990-11	SHORT CHIP			
R3094	1-218-929-11	RES-CHIP	10	5%	1/16W	R3160	1-218-990-11	SHORT CHIP			
R3095	1-208-893-11	METAL CHIP	1.8K	0.50%	1/16W	R3161	1-218-990-11	SHORT CHIP			
R3096	1-208-893-11	METAL CHIP	1.8K	0.50%	1/16W	R3162	1-218-957-11	RES-CHIP	2.2K	5%	1/16W
R3097	1-218-929-11	RES-CHIP	10	5%	1/16W	R3163	1-218-957-11	RES-CHIP	2.2K	5%	1/16W
R3098	1-218-929-11	RES-CHIP	10	5%	1/16W	R3164	1-208-675-11	METAL CHIP	470	0.50%	1/16W
R3100	1-218-990-11	SHORT CHIP				R3167	1-218-945-11	RES-CHIP	220	5%	1/16W
R3102	1-218-990-11	SHORT CHIP				R3168	1-208-861-81	METAL CHIP	82	0.50%	1/16W
R3103	1-218-990-11	SHORT CHIP				R3170	1-218-959-11	RES-CHIP	3.3K	5%	1/16W
R3104	1-218-990-11	SHORT CHIP				R3171	1-218-941-81	RES-CHIP	100	5%	1/16W
R3106	1-218-990-11	SHORT CHIP				R3172	1-218-955-11	RES-CHIP	1.5K	5%	1/16W
R3107	1-218-959-11	RES-CHIP	3.3K	5%	1/16W	R3173	1-218-941-81	RES-CHIP	100	5%	1/16W
R3109	1-218-963-11	RES-CHIP	6.8K	5%	1/16W	R3181	1-218-955-11	RES-CHIP	1.5K	5%	1/16W
R3110	1-218-990-11	SHORT CHIP				R3182	1-218-937-11	RES-CHIP	47	5%	1/16W
R3111	1-218-943-11	RES-CHIP	150	5%	1/16W	R3187	1-218-990-11	SHORT CHIP			
R3112	1-218-947-11	RES-CHIP	330	5%	1/16W	R3188	1-218-949-11	RES-CHIP	470	5%	1/16W
R3113	1-220-174-11	RES-CHIP	200	5%	1/16W	R3191	1-218-965-11	RES-CHIP	10K	5%	1/16W
R3114	1-220-174-11	RES-CHIP	200	5%	1/16W	R3196	1-218-990-11	SHORT CHIP			
R3115	1-218-953-11	RES-CHIP	1K	5%	1/16W	R3201	1-216-864-11	SHORT CHIP			
R3116	1-218-990-11	SHORT CHIP				R3219	1-218-990-11	SHORT CHIP			
R3117	1-218-990-11	SHORT CHIP				R3221	1-218-990-11	SHORT CHIP			
R3118	1-218-849-11	METAL CHIP	1.2K	0.50%	1/10W	R3239	1-218-990-11	SHORT CHIP			
R3119	1-208-679-11	METAL CHIP	680	0.50%	1/16W	R3244	1-218-990-11	SHORT CHIP			
R3120	1-208-893-11	METAL CHIP	1.8K	0.50%	1/16W	R3246	1-218-990-11	SHORT CHIP			
R3121	1-218-971-11	RES-CHIP	33K	5%	1/16W	R3247	1-218-990-11	SHORT CHIP			
R3122	1-208-893-11	METAL CHIP	1.8K	0.50%	1/16W	R3248	1-218-990-11	SHORT CHIP			
R3123	1-218-990-11	SHORT CHIP				R3249	1-218-990-11	SHORT CHIP			
R3124	1-208-679-11	METAL CHIP	680	0.50%	1/16W	R3251	1-218-965-11	RES-CHIP	10K	5%	1/16W
R3125	1-218-849-11	METAL CHIP	1.2K	0.50%	1/10W	R3252	1-218-945-11	RES-CHIP	220	5%	1/16W
R3128	1-218-943-11	RES-CHIP	150	5%	1/16W	R3253	1-218-990-11	SHORT CHIP			
R3129	1-218-947-11	RES-CHIP	330	5%	1/16W	R3255	1-216-801-11	METAL CHIP	22	5%	1/10W
R3130	1-220-174-11	RES-CHIP	200	5%	1/16W	R3256	1-208-898-81	METAL CHIP	3K	0.50%	1/16W
R3135	1-220-174-11	RES-CHIP	200	5%	1/16W	R3257	1-218-941-81	RES-CHIP	100	5%	1/16W
R3136	1-218-953-11	RES-CHIP	1K	5%	1/16W	R3262	1-218-941-81	RES-CHIP	100	5%	1/16W
R3138	1-218-929-11	RES-CHIP	10	5%	1/16W	R3264	1-218-947-11	RES-CHIP	330	5%	1/16W
R3140	1-218-990-11	SHORT CHIP				R3265	1-218-985-11	RES-CHIP	470K	5%	1/16W
R3147	1-218-937-11	RES-CHIP	47	5%	1/16W	R3266	1-218-969-11	RES-CHIP	22K	5%	1/16W
R3148	1-218-864-11	METAL CHIP	5.1K	0.50%	1/10W	R3267	1-218-945-11	RES-CHIP	220	5%	1/16W
R3149	1-208-683-11	METAL CHIP	1K	0.50%	1/16W	R3268	1-218-953-11	RES-CHIP	1K	5%	1/16W



REF. NO.	PART NO.	DESCRIPTION	VALUES			REF. NO.	PART NO.	DESCRIPTION	VALUES		
R3269	1-218-985-11	RES-CHIP	470K	5%	1/16W	R3344	1-218-990-11	SHORT CHIP			
R3270	1-218-959-11	RES-CHIP	3.3K	5%	1/16W	R3345	1-218-933-11	RES-CHIP	22	5%	1/16W
R3272	1-216-805-11	METAL CHIP	47	5%	1/10W	R3346	1-218-990-11	SHORT CHIP			
R3276	1-543-949-22	FERRITE	0μH			R3347	1-218-990-11	SHORT CHIP			
R3277	1-543-949-22	FERRITE	0μH			R3348	1-218-990-11	SHORT CHIP			
R3284	1-218-935-11	RES-CHIP	33	5%	1/16W	R3349	1-218-990-11	SHORT CHIP			
R3285	1-218-942-11	RES-CHIP	120	5%	1/16W	R3350	1-218-990-11	SHORT CHIP			
R3286	1-218-942-11	RES-CHIP	120	5%	1/16W	R3352	1-218-937-11	RES-CHIP	47	5%	1/16W
R3288	1-218-990-11	SHORT CHIP				R3353	1-218-990-11	SHORT CHIP			
R3301	1-218-937-11	RES-CHIP	47	5%	1/16W	R3355	1-218-937-11	RES-CHIP	47	5%	1/16W
R3302	1-218-937-11	RES-CHIP	47	5%	1/16W	R3356	1-218-990-11	SHORT CHIP			
R3303	1-218-967-11	RES-CHIP	15K	5%	1/16W	R3358	1-218-937-11	RES-CHIP	47	5%	1/16W
R3304	1-218-967-11	RES-CHIP	15K	5%	1/16W	R3359	1-218-933-11	RES-CHIP	22	5%	1/16W
R3306	1-216-820-11	METAL CHIP	820	5%	1/10W	R3360	1-218-933-11	RES-CHIP	22	5%	1/16W
R3309	1-216-821-11	METAL CHIP	1K	5%	1/10W	R3361	1-218-990-11	SHORT CHIP			
R3310	1-218-967-11	RES-CHIP	15K	5%	1/16W	R3362	1-218-990-11	SHORT CHIP			
R3311	1-216-855-11	METAL CHIP	680K	5%	1/10W	R3363	1-218-933-11	RES-CHIP	22	5%	1/16W
R3312	1-218-709-11	METAL CHIP	5.1K	0.50%	1/10W	R3364	1-218-935-11	RES-CHIP	33	5%	1/16W
R3313	1-216-855-11	METAL CHIP	680K	5%	1/10W	R3366	1-218-990-11	SHORT CHIP			
R3315	1-218-990-11	SHORT CHIP				R3367	1-218-945-11	RES-CHIP	220	5%	1/16W
R3316	1-218-957-11	RES-CHIP	2.2K	5%	1/16W	R3368	1-218-990-11	SHORT CHIP			
R3317	1-218-945-11	RES-CHIP	220	5%	1/16W	R3369	1-218-983-11	RES-CHIP	330K	5%	1/16W
R3318	1-218-941-81	RES-CHIP	100	5%	1/16W	R3370	1-218-990-11	SHORT CHIP			
R3319	1-216-841-11	METAL CHIP	47K	5%	1/10W	R3371	1-218-937-11	RES-CHIP	47	5%	1/16W
R3320	1-218-662-11	METAL CHIP	56	0.50%	1/10W	R3372	1-218-937-11	RES-CHIP	47	5%	1/16W
R3321	1-218-662-11	METAL CHIP	56	0.50%	1/10W	R3373	1-218-933-11	RES-CHIP	22	5%	1/16W
R3322	1-218-664-11	METAL CHIP	68	0.50%	1/10W	R3374	1-218-990-11	SHORT CHIP			
R3323	1-216-815-11	METAL CHIP	330	5%	1/10W	R3375	1-218-933-11	RES-CHIP	22	5%	1/16W
R3324	1-218-662-11	METAL CHIP	56	0.50%	1/10W	R3376	1-218-990-11	SHORT CHIP			
R3325	1-218-662-11	METAL CHIP	56	0.50%	1/10W	R3377	1-218-990-11	SHORT CHIP			
R3326	1-218-664-11	METAL CHIP	68	0.50%	1/10W	R3378	1-218-990-11	SHORT CHIP			
R3327	1-218-662-11	METAL CHIP	56	0.50%	1/10W	R3379	1-218-990-11	SHORT CHIP			
R3328	1-218-662-11	METAL CHIP	56	0.50%	1/10W	R3380	1-218-965-11	RES-CHIP	10K	5%	1/16W
R3329	1-218-664-11	METAL CHIP	68	0.50%	1/10W	R3381	1-218-990-11	SHORT CHIP			
R3330	1-216-815-11	METAL CHIP	330	5%	1/10W	R3382	1-218-965-11	RES-CHIP	10K	5%	1/16W
R3331	1-218-660-91	METAL CHIP	47	0.50%	1/10W	R3383	1-218-965-11	RES-CHIP	10K	5%	1/16W
R3332	1-218-660-91	METAL CHIP	47	0.50%	1/10W	R3384	1-218-965-11	RES-CHIP	10K	5%	1/16W
R3333	1-218-664-11	METAL CHIP	68	0.50%	1/10W	R3385	1-218-990-11	SHORT CHIP			
R3334	1-218-933-11	RES-CHIP	22	5%	1/16W	R3387	1-218-939-11	RES-CHIP	68	5%	1/16W
R3335	1-218-933-11	RES-CHIP	22	5%	1/16W	R3388	1-218-939-11	RES-CHIP	68	5%	1/16W
R3336	1-218-990-11	SHORT CHIP				R3389	1-218-939-11	RES-CHIP	68	5%	1/16W
R3337	1-218-990-11	SHORT CHIP				R3390	1-218-939-11	RES-CHIP	68	5%	1/16W
R3338	1-218-990-11	SHORT CHIP				R3391	1-218-939-11	RES-CHIP	68	5%	1/16W
R3339	1-218-990-11	SHORT CHIP				R3392	1-218-939-11	RES-CHIP	68	5%	1/16W
R3340	1-218-990-11	SHORT CHIP				R3394	1-218-939-11	RES-CHIP	68	5%	1/16W
R3341	1-218-990-11	SHORT CHIP				R3395	1-218-939-11	RES-CHIP	68	5%	1/16W
R3342	1-218-990-11	SHORT CHIP				R3396	1-218-939-11	RES-CHIP	68	5%	1/16W
R3343	1-218-933-11	RES-CHIP	22	5%	1/16W	R3397	1-218-939-11	RES-CHIP	68	5%	1/16W



REF. NO.	PART NO.	DESCRIPTION	VALUES			REF. NO.	PART NO.	DESCRIPTION	VALUES		
R3398	1-218-939-11	RES-CHIP	68	5%	1/16W	R3529	1-218-977-11	RES-CHIP	100K	5%	1/16W
R3399	1-218-939-11	RES-CHIP	68	5%	1/16W	R3531	1-218-939-11	RES-CHIP	68	5%	1/16W
R3400	1-218-939-11	RES-CHIP	68	5%	1/16W	R3532	1-216-864-11	SHORT CHIP			
R3401	1-218-929-11	RES-CHIP	10	5%	1/16W	R3533	1-216-864-11	SHORT CHIP			
R3402	1-218-937-11	RES-CHIP	47	5%	1/16W	R3534	1-216-864-11	SHORT CHIP			
R3403	1-218-937-11	RES-CHIP	47	5%	1/16W	R3535	1-218-941-11	RES-CHIP	100	5%	1/16W
R3404	1-218-937-11	RES-CHIP	47	5%	1/16W	R3536	1-218-941-11	RES-CHIP	100	5%	1/16W
R3411	1-208-675-11	METAL CHIP	470	0.50%	1/16W	R3537	1-218-941-11	RES-CHIP	100	5%	1/16W
R3412	1-208-675-11	METAL CHIP	470	0.50%	1/16W	R3538	1-218-941-11	RES-CHIP	100	5%	1/16W
R3413	1-208-675-11	METAL CHIP	470	0.50%	1/16W	R3539	1-218-941-11	RES-CHIP	100	5%	1/16W
R3414	1-208-675-11	METAL CHIP	470	0.50%	1/16W	R3540	1-218-941-11	RES-CHIP	100	5%	1/16W
R3415	1-208-675-11	METAL CHIP	470	0.50%	1/16W	R3544	1-218-965-11	RES-CHIP	10K	5%	1/16W
R3416	1-208-675-11	METAL CHIP	470	0.50%	1/16W	R3545	1-218-965-11	RES-CHIP	10K	5%	1/16W
R3417	1-218-929-11	RES-CHIP	10	5%	1/16W	R3546	1-218-965-11	RES-CHIP	10K	5%	1/16W
R3418	1-218-929-11	RES-CHIP	10	5%	1/16W	R3547	1-218-965-11	RES-CHIP	10K	5%	1/16W
R3419	1-218-929-11	RES-CHIP	10	5%	1/16W	R3548	1-218-965-11	RES-CHIP	10K	5%	1/16W
R3420	1-218-953-11	RES-CHIP	1K	5%	1/16W	R3605	1-218-973-11	RES-CHIP	47K	5%	1/16W
R3421	1-218-953-11	RES-CHIP	1K	5%	1/16W	R3606	1-218-941-81	RES-CHIP	100	5%	1/16W
R3422	1-218-953-11	RES-CHIP	1K	5%	1/16W	R3607	1-216-864-11	SHORT CHIP			
R3424	1-218-937-11	RES-CHIP	47	5%	1/16W	R3608	1-218-985-11	RES-CHIP	470K	5%	1/16W
R3427	1-218-990-11	SHORT CHIP				R3609	1-218-941-81	RES-CHIP	100	5%	1/16W
R3429	1-218-941-81	RES-CHIP	100	5%	1/16W	R3614	1-218-973-11	RES-CHIP	47K	5%	1/16W
R3430	1-208-687-11	METAL CHIP	1.5K	0.50%	1/16W	R3615	1-218-937-11	RES-CHIP	47	5%	1/16W
R3431	1-208-683-11	METAL CHIP	1K	0.50%	1/16W	R3616	1-218-937-11	RES-CHIP	47	5%	1/16W
R3432	1-208-911-11	METAL CHIP	10K	0.50%	1/16W	R3617	1-218-937-11	RES-CHIP	47	5%	1/16W
R3501	1-218-937-11	RES-CHIP	47	5%	1/16W	R3619	1-218-965-11	RES-CHIP	10K	5%	1/16W
R3503	1-218-965-11	RES-CHIP	10K	5%	1/16W	R3620	1-218-937-11	RES-CHIP	47	5%	1/16W
R3504	1-218-933-11	RES-CHIP	22	5%	1/16W	R3621	1-218-955-11	RES-CHIP	1.5K	5%	1/16W
R3505	1-218-953-11	RES-CHIP	1K	5%	1/16W	R3622	1-218-937-11	RES-CHIP	47	5%	1/16W
R3507	1-218-990-11	SHORT CHIP				R3624	1-218-937-11	RES-CHIP	47	5%	1/16W
R3508	1-218-933-11	RES-CHIP	22	5%	1/16W	R3625	1-218-933-11	RES-CHIP	22	5%	1/16W
R3509	1-218-933-11	RES-CHIP	22	5%	1/16W	R3628	1-218-965-11	RES-CHIP	10K	5%	1/16W
R3510	1-218-937-11	RES-CHIP	47	5%	1/16W	R3629	1-218-965-11	RES-CHIP	10K	5%	1/16W
R3511	1-216-805-11	METAL CHIP	47	5%	1/10W	R3630	1-218-937-11	RES-CHIP	47	5%	1/16W
R3512	1-218-937-11	RES-CHIP	47	5%	1/16W	R3631	1-218-937-11	RES-CHIP	47	5%	1/16W
R3513	1-218-937-11	RES-CHIP	47	5%	1/16W	R3632	1-218-937-11	RES-CHIP	47	5%	1/16W
R3514	1-216-805-11	METAL CHIP	47	5%	1/10W	R3633	1-218-937-11	RES-CHIP	47	5%	1/16W
R3515	1-218-937-11	RES-CHIP	47	5%	1/16W	R3634	1-218-965-11	RES-CHIP	10K	5%	1/16W
R3516	1-218-937-11	RES-CHIP	47	5%	1/16W	R3636	1-218-965-11	RES-CHIP	10K	5%	1/16W
R3517	1-218-937-11	RES-CHIP	47	5%	1/16W	R3637	1-218-941-81	RES-CHIP	100	5%	1/16W
R3518	1-218-937-11	RES-CHIP	47	5%	1/16W	R3638	1-218-971-11	RES-CHIP	33K	5%	1/16W
R3520	1-216-805-11	METAL CHIP	47	5%	1/10W	R3639	1-218-937-11	RES-CHIP	47	5%	1/16W
R3522	1-218-990-11	SHORT CHIP				R3640	1-218-937-11	RES-CHIP	47	5%	1/16W
R3523	1-218-939-11	RES-CHIP	68	5%	1/16W	R3641	1-218-977-11	RES-CHIP	100K	5%	1/16W
R3524	1-218-939-11	RES-CHIP	68	5%	1/16W	R3642	1-218-973-11	RES-CHIP	47K	5%	1/16W
R3525	1-218-990-11	SHORT CHIP				R3643	1-218-941-81	RES-CHIP	100	5%	1/16W
R3527	1-218-990-11	SHORT CHIP				R3644	1-218-941-81	RES-CHIP	100	5%	1/16W
R3528	1-218-977-11	RES-CHIP	100K	5%	1/16W	R3645	1-218-965-11	RES-CHIP	10K	5%	1/16W



REF. NO.	PART NO.	DESCRIPTION	VALUES			REF. NO.	PART NO.	DESCRIPTION	VALUES		
R3646	1-218-941-81	RES-CHIP	100	5%	1/16W	R3699	1-218-953-11	RES-CHIP	1K	5%	1/16W
R3647	1-218-937-11	RES-CHIP	47	5%	1/16W	R3700	1-218-973-11	RES-CHIP	47K	5%	1/16W
R3648	1-218-937-11	RES-CHIP	47	5%	1/16W	R3701	1-220-804-11	RES-CHIP	2.2M	5%	1/16W
R3649	1-218-965-11	RES-CHIP	10K	5%	1/16W	R3702	1-218-969-11	RES-CHIP	22K	5%	1/16W
R3650	1-208-699-11	METAL CHIP	4.7K	0.50%	1/16W	R3703	1-218-937-11	RES-CHIP	47	5%	1/16W
R3651	1-218-937-11	RES-CHIP	47	5%	1/16W	R3704	1-218-937-11	RES-CHIP	47	5%	1/16W
R3652	1-208-699-11	METAL CHIP	4.7K	0.50%	1/16W	R3705	1-218-949-11	RES-CHIP	470	5%	1/16W
R3653	1-218-965-11	RES-CHIP	10K	5%	1/16W	R3706	1-218-937-11	RES-CHIP	47	5%	1/16W
R3655	1-218-937-11	RES-CHIP	47	5%	1/16W	R3707	1-218-990-11	SHORT CHIP			
R3657	1-218-983-11	RES-CHIP	330K	5%	1/16W	R3709	1-218-965-11	RES-CHIP	10K	5%	1/16W
R3658	1-218-941-81	RES-CHIP	100	5%	1/16W	R3710	1-218-969-11	RES-CHIP	22K	5%	1/16W
R3660	1-219-570-11	METAL CHIP	10M	5%	1/10W	R3712	1-218-969-11	RES-CHIP	22K	5%	1/16W
R3661	1-218-979-11	RES-CHIP	150K	5%	1/16W	R3713	1-218-990-11	SHORT CHIP			
R3662	1-218-969-11	RES-CHIP	22K	5%	1/16W	R3714	1-218-965-11	RES-CHIP	10K	5%	1/16W
R3663	1-218-965-11	RES-CHIP	10K	5%	1/16W	R3716	1-218-957-11	RES-CHIP	2.2K	5%	1/16W
R3664	1-218-965-11	RES-CHIP	10K	5%	1/16W	R3718	1-218-965-11	RES-CHIP	10K	5%	1/16W
R3665	1-218-965-11	RES-CHIP	10K	5%	1/16W	R3719	1-218-965-11	RES-CHIP	10K	5%	1/16W
R3666	1-218-937-11	RES-CHIP	47	5%	1/16W	R3723	1-218-990-11	SHORT CHIP			
R3667	1-218-971-11	RES-CHIP	33K	5%	1/16W	R3724	1-218-961-11	RES-CHIP	4.7K	5%	1/16W
R3668	1-218-953-11	RES-CHIP	1K	5%	1/16W	R3725	1-218-973-11	RES-CHIP	47K	5%	1/16W
R3670	1-218-941-81	RES-CHIP	100	5%	1/16W	R3726	1-218-971-11	RES-CHIP	33K	5%	1/16W
R3671	1-218-990-11	SHORT CHIP				R3727	1-218-965-11	RES-CHIP	10K	5%	1/16W
R3672	1-218-977-11	RES-CHIP	100K	5%	1/16W	R3728	1-218-949-11	RES-CHIP	470	5%	1/16W
R3673	1-218-937-11	RES-CHIP	47	5%	1/16W	R3729	1-218-937-11	RES-CHIP	47	5%	1/16W
R3674	1-218-937-11	RES-CHIP	47	5%	1/16W	R3730	1-218-941-81	RES-CHIP	100	5%	1/16W
R3675	1-218-953-11	RES-CHIP	1K	5%	1/16W	R3731	1-218-990-11	SHORT CHIP			
R3676	1-218-973-11	RES-CHIP	47K	5%	1/16W	R3733	1-218-990-11	SHORT CHIP			
R3677	1-218-941-81	RES-CHIP	100	5%	1/16W	R3734	1-218-990-11	SHORT CHIP			
R3678	1-218-965-11	RES-CHIP	10K	5%	1/16W	R3735	1-218-965-11	RES-CHIP	10K	5%	1/16W
R3679	1-218-929-11	RES-CHIP	10	5%	1/16W	R3736	1-218-965-11	RES-CHIP	10K	5%	1/16W
R3680	1-218-929-11	RES-CHIP	10	5%	1/16W	R3738	1-218-965-11	RES-CHIP	10K	5%	1/16W
R3681	1-218-929-11	RES-CHIP	10	5%	1/16W	R3739	1-218-990-11	SHORT CHIP			
R3682	1-218-929-11	RES-CHIP	10	5%	1/16W	R3740	1-218-990-11	SHORT CHIP			
R3683	1-218-965-11	RES-CHIP	10K	5%	1/16W	R3741	1-218-990-11	SHORT CHIP			
R3684	1-218-965-11	RES-CHIP	10K	5%	1/16W	R3742	1-218-956-11	RES-CHIP	1.8K	5%	1/16W
R3685	1-218-953-11	RES-CHIP	1K	5%	1/16W	R3744	1-218-956-11	RES-CHIP	1.8K	5%	1/16W
R3686	1-218-953-11	RES-CHIP	1K	5%	1/16W	R3745	1-218-937-11	RES-CHIP	47	5%	1/16W
R3687	1-218-941-81	RES-CHIP	100	5%	1/16W	R3746	1-218-937-11	RES-CHIP	47	5%	1/16W
R3688	1-218-941-81	RES-CHIP	100	5%	1/16W	R3747	1-218-937-11	RES-CHIP	47	5%	1/16W
R3689	1-218-937-11	RES-CHIP	47	5%	1/16W	R3748	1-218-937-11	RES-CHIP	47	5%	1/16W
R3690	1-218-941-81	RES-CHIP	100	5%	1/16W	R3749	1-218-953-11	RES-CHIP	1K	5%	1/16W
R3691	1-218-941-81	RES-CHIP	100	5%	1/16W	R3750	1-218-953-11	RES-CHIP	1K	5%	1/16W
R3692	1-218-941-81	RES-CHIP	100	5%	1/16W	R3751	1-218-953-11	RES-CHIP	1K	5%	1/16W
R3694	1-218-937-11	RES-CHIP	47	5%	1/16W	R3752	1-218-953-11	RES-CHIP	1K	5%	1/16W
R3695	1-218-941-81	RES-CHIP	100	5%	1/16W	R3753	1-218-989-11	RES-CHIP	1M	5%	1/16W
R3696	1-218-937-11	RES-CHIP	47	5%	1/16W	R3754	1-218-989-11	RES-CHIP	1M	5%	1/16W
R3697	1-218-937-11	RES-CHIP	47	5%	1/16W	R3755	1-218-957-11	RES-CHIP	2.2K	5%	1/16W
R3698	1-218-941-81	RES-CHIP	100	5%	1/16W	R3756	1-218-957-11	RES-CHIP	2.2K	5%	1/16W



REF. NO.	PART NO.	DESCRIPTION	VALUES			REF. NO.	PART NO.	DESCRIPTION	VALUES		
R3757	1-208-711-11	METAL CHIP	15K	0.50%	1/16W	R3825	1-218-933-11	RES-CHIP	22	5%	1/16W
R3758	1-208-711-11	METAL CHIP	15K	0.50%	1/16W	R3826	1-218-933-11	RES-CHIP	22	5%	1/16W
R3759	1-208-699-11	METAL CHIP	4.7K	0.50%	1/16W	R3828	1-218-965-11	RES-CHIP	10K	5%	1/16W
R3760	1-208-699-11	METAL CHIP	4.7K	0.50%	1/16W	R3829	1-218-965-11	RES-CHIP	10K	5%	1/16W
R3761	1-218-957-11	RES-CHIP	2.2K	5%	1/16W	R3830	1-218-965-11	RES-CHIP	10K	5%	1/16W
R3762	1-218-957-11	RES-CHIP	2.2K	5%	1/16W	R3831	1-218-959-11	RES-CHIP	3.3K	5%	1/16W
R3763	1-218-937-11	RES-CHIP	47	5%	1/16W	R3832	1-218-959-11	RES-CHIP	3.3K	5%	1/16W
R3764	1-218-937-11	RES-CHIP	47	5%	1/16W	R3833	1-218-965-11	RES-CHIP	10K	5%	1/16W
R3765	1-218-849-11	METAL CHIP	1.2K	0.50%	1/10W	R3834	1-218-965-11	RES-CHIP	10K	5%	1/16W
R3766	1-216-296-11	SHORT CHIP				R3835	1-218-973-11	RES-CHIP	47K	5%	1/16W
R3767	1-216-296-11	SHORT CHIP				R3836	1-218-965-11	RES-CHIP	10K	5%	1/16W
R3768	1-216-296-11	SHORT CHIP				R3837	1-218-961-11	RES-CHIP	4.7K	5%	1/16W
R3769	1-216-296-11	SHORT CHIP				R3838	1-218-941-81	RES-CHIP	100	5%	1/16W
R3770	1-216-296-11	SHORT CHIP				R3839	1-218-941-81	RES-CHIP	100	5%	1/16W
R3771	1-218-990-11	SHORT CHIP				R3841	1-218-941-81	RES-CHIP	100	5%	1/16W
R3772	1-218-990-11	SHORT CHIP				R3842	1-218-941-81	RES-CHIP	100	5%	1/16W
R3773	1-218-990-11	SHORT CHIP				R3843	1-218-941-81	RES-CHIP	100	5%	1/16W
R3774	1-218-941-81	RES-CHIP	100	5%	1/16W	R3844	1-218-941-81	RES-CHIP	100	5%	1/16W
R3775	1-218-849-11	METAL CHIP	1.2K	0.50%	1/10W	R3845	1-218-933-11	RES-CHIP	22	5%	1/16W
R3776	1-218-849-11	METAL CHIP	1.2K	0.50%	1/10W	R3846	1-218-933-11	RES-CHIP	22	5%	1/16W
R3777	1-218-990-11	SHORT CHIP				R3847	1-218-965-11	RES-CHIP	10K	5%	1/16W
R3778	1-218-990-11	SHORT CHIP				R3848	1-218-965-11	RES-CHIP	10K	5%	1/16W
R3779	1-218-990-11	SHORT CHIP				R3849	1-218-965-11	RES-CHIP	10K	5%	1/16W
R3780	1-218-937-11	RES-CHIP	47	5%	1/16W	R3850	1-218-990-11	SHORT CHIP			
R3781	1-218-937-11	RES-CHIP	47	5%	1/16W	R3851	1-218-990-11	SHORT CHIP			
R3783	1-218-965-11	RES-CHIP	10K	5%	1/16W	R3852	1-218-990-11	SHORT CHIP			
R3784	1-218-945-11	RES-CHIP	220	5%	1/16W	R3853	1-218-990-11	SHORT CHIP			
R3785	1-218-945-11	RES-CHIP	220	5%	1/16W	R3854	1-218-990-11	SHORT CHIP			
R3786	1-218-945-11	RES-CHIP	220	5%	1/16W	R3855	1-218-990-11	SHORT CHIP			
R3792	1-218-990-11	SHORT CHIP				R3856	1-218-990-11	SHORT CHIP			
R3793	1-208-929-11	METAL CHIP	56K	0.50%	1/16W	R3857	1-218-990-11	SHORT CHIP			
R3794	1-208-929-11	METAL CHIP	56K	0.50%	1/16W	R3858	1-218-990-11	SHORT CHIP			
R3801	1-218-965-11	RES-CHIP	10K	5%	1/16W	R3859	1-218-990-11	SHORT CHIP			
R3802	1-218-965-11	RES-CHIP	10K	5%	1/16W	R3860	1-218-973-11	RES-CHIP	47K	5%	1/16W
R3805	1-218-965-11	RES-CHIP	10K	5%	1/16W	R3861	1-218-965-11	RES-CHIP	10K	5%	1/16W
R3806	1-218-965-11	RES-CHIP	10K	5%	1/16W	R3863	1-218-941-81	RES-CHIP	100	5%	1/16W
R3808	1-218-937-11	RES-CHIP	47	5%	1/16W	R3864	1-218-937-11	RES-CHIP	47	5%	1/16W
R3809	1-218-937-11	RES-CHIP	47	5%	1/16W	R3865	1-218-941-81	RES-CHIP	100	5%	1/16W
R3810	1-218-937-11	RES-CHIP	47	5%	1/16W	R3866	1-218-965-11	RES-CHIP	10K	5%	1/16W
R3811	1-218-937-11	RES-CHIP	47	5%	1/16W	R3867	1-218-965-11	RES-CHIP	10K	5%	1/16W
R3812	1-218-937-11	RES-CHIP	47	5%	1/16W	R3868	1-218-957-11	RES-CHIP	2.2K	5%	1/16W
R3815	1-218-941-81	RES-CHIP	100	5%	1/16W	R3869	1-218-941-81	RES-CHIP	100	5%	1/16W
R3816	1-218-941-81	RES-CHIP	100	5%	1/16W	R3872	1-218-990-11	SHORT CHIP			
R3817	1-218-939-11	RES-CHIP	68	5%	1/16W	R3873	1-218-990-11	SHORT CHIP			
R3821	1-218-953-11	RES-CHIP	1K	5%	1/16W						
R3822	1-218-965-11	RES-CHIP	10K	5%	1/16W						
R3823	1-218-941-81	RES-CHIP	100	5%	1/16W						
R3824	1-218-965-11	RES-CHIP	10K	5%	1/16W						



REF. NO.	PART NO.	DESCRIPTION	VALUES	REF. NO.	PART NO.	DESCRIPTION	VALUES
RESISTOR BRIDGE							
RB3001	1-234-378-21	RES, NETWORK 10K	(1005X4)	RB3503	1-234-371-21	RES, NETWORK 47	(1005X4)
RB3002	1-234-378-21	RES, NETWORK 10K	(1005X4)	RB3504	1-234-371-21	RES, NETWORK 47	(1005X4)
RB3003	1-234-378-21	RES, NETWORK 10K	(1005X4)	RB3505	1-234-371-21	RES, NETWORK 47	(1005X4)
RB3004	1-234-378-21	RES, NETWORK 10K	(1005X4)	RB3506	1-234-371-21	RES, NETWORK 47	(1005X4)
RB3005	1-234-378-21	RES, NETWORK 10K	(1005X4)	RB3507	1-234-371-21	RES, NETWORK 47	(1005X4)
RB3006	1-234-378-21	RES, NETWORK 10K	(1005X4)	RB3508	1-234-702-11	RES, NETWORK 68	(1005X4)
RB3007	1-234-371-21	RES, NETWORK 47	(1005X4)	RB3509	1-234-702-11	RES, NETWORK 68	(1005X4)
RB3008	1-234-371-21	RES, NETWORK 47	(1005X4)	RB3510	1-234-702-11	RES, NETWORK 68	(1005X4)
RB3009	1-234-371-21	RES, NETWORK 47	(1005X4)	RB3511	1-234-702-11	RES, NETWORK 68	(1005X4)
RB3010	1-234-371-21	RES, NETWORK 47	(1005X4)	RB3512	1-234-702-11	RES, NETWORK 68	(1005X4)
RB3011	1-234-378-21	RES, NETWORK 10K	(1005X4)	RB3513	1-234-702-11	RES, NETWORK 68	(1005X4)
RB3012	1-234-378-21	RES, NETWORK 10K	(1005X4)	RB3601	1-234-378-21	RES, NETWORK 10K	(1005X4)
RB3013	1-234-378-21	RES, NETWORK 10K	(1005X4)	RB3602	1-234-371-21	RES, NETWORK 47	(1005X4)
RB3014	1-234-378-21	RES, NETWORK 10K	(1005X4)	RB3603	1-234-371-21	RES, NETWORK 47	(1005X4)
RB3015	1-234-378-21	RES, NETWORK 10K	(1005X4)	RB3604	1-234-371-21	RES, NETWORK 47	(1005X4)
RB3016	1-234-372-21	RES, NETWORK 100	(1005X4)	RB3605	1-234-371-21	RES, NETWORK 47	(1005X4)
RB3017	1-234-372-21	RES, NETWORK 100	(1005X4)	RB3606	1-234-371-21	RES, NETWORK 47	(1005X4)
RB3021	1-234-372-21	RES, NETWORK 100	(1005X4)	CRYSTAL			
RB3022	1-234-372-21	RES, NETWORK 100	(1005X4)	X3301	1-813-114-21	VIBRATOR, CRYSTAL	
RB3201	1-234-371-21	RES, NETWORK 47	(1005X4)	X3302	1-813-373-11	OSCILLATOR, CRYSTAL	
RB3202	1-234-371-21	RES, NETWORK 47	(1005X4)	X3501	1-795-739-22	CRYSTAL OSCILLATOR (SMD)	
RB3203	1-234-371-21	RES, NETWORK 47	(1005X4)	X3601	1-795-753-21	VIBRATOR, CERAMIC	
RB3204	1-234-371-21	RES, NETWORK 47	(1005X4)	X3602	1-781-696-21	VIBRATOR, CRYSTAL	
RB3205	1-234-372-21	RES, NETWORK 100	(1005X4)	X3603	1-813-113-11	VIBRATOR, CRYSTAL	
RB3206	1-234-372-21	RES, NETWORK 100	(1005X4)	X3801	1-813-095-11	VIBRATOR, CRYSTAL	
RB3207	1-234-372-21	RES, NETWORK 100	(1005X4)	H3			
RB3208	1-234-372-21	RES, NETWORK 100	(1005X4)	* A-1054-669-A H3 BOARD, MOUNTED			
RB3301	1-234-371-21	RES, NETWORK 47	(1005X4)	CAPACITOR			
RB3302	1-234-371-21	RES, NETWORK 47	(1005X4)	C41	1-162-964-11	CERAMIC CHIP	0.001μF 10% 50V
RB3303	1-234-371-21	RES, NETWORK 47	(1005X4)	C42	1-162-964-11	CERAMIC CHIP	0.001μF 10% 50V
RB3304	1-234-371-21	RES, NETWORK 47	(1005X4)	C44	1-162-919-11	CERAMIC CHIP	22pF 5% 50V
RB3305	1-234-370-21	RES, NETWORK 22	(1005X4)	C45	1-162-919-11	CERAMIC CHIP	22pF 5% 50V
RB3306	1-234-370-21	RES, NETWORK 22	(1005X4)	C50	1-126-964-11	ELECT	10μF 20% 50V
RB3307	1-234-370-21	RES, NETWORK 22	(1005X4)	C51	1-126-964-11	ELECT	10μF 20% 50V
RB3308	1-234-370-21	RES, NETWORK 22	(1005X4)	C52	1-126-964-11	ELECT	10μF 20% 50V
RB3309	1-234-378-21	RES, NETWORK 10K	(1005X4)	C53	1-126-964-11	ELECT	10μF 20% 50V
RB3310	1-234-378-21	RES, NETWORK 10K	(1005X4)	C58	1-126-933-11	ELECT	100μF 20% 16V
RB3311	1-234-378-21	RES, NETWORK 10K	(1005X4)	C59	1-164-156-11	CERAMIC CHIP	0.1μF 25V
RB3312	1-234-378-21	RES, NETWORK 10K	(1005X4)	C70	1-162-974-11	CERAMIC CHIP	0.01μF 50V
RB3313	1-234-378-21	RES, NETWORK 10K	(1005X4)	C72	1-115-156-11	CERAMIC CHIP	1μF 10V
RB3314	1-234-378-21	RES, NETWORK 10K	(1005X4)	C77	1-162-970-11	CERAMIC CHIP	0.01μF 10% 25V
RB3315	1-234-702-11	RES, NETWORK 68	(1005X4)				
RB3316	1-234-702-11	RES, NETWORK 68	(1005X4)				
RB3501	1-234-371-21	RES, NETWORK 47	(1005X4)				
RB3502	1-234-371-21	RES, NETWORK 47	(1005X4)				



REF. NO.	PART NO.	DESCRIPTION	VALUES	REF. NO.	PART NO.	DESCRIPTION	VALUES
<u>CONNECTOR</u>				<div style="border: 1px solid black; width: 40px; height: 40px; margin: 0 auto; display: flex; align-items: center; justify-content: center; font-size: 24px; font-weight: bold;">T</div>			
CN43	1-564-528-11	PLUG, CONNECTOR	13P				
* CN44	1-564-509-11	PLUG, CONNECTOR	6P	* A-1054-670-A T BOARD, MOUNTED			
<u>IC</u>				<u>CONNECTOR</u>			
IC41	8-759-442-07	IC	LM75CIMX-5	* CN8001	1-564-518-11	PLUG, CONNECTOR	3P
<u>JACK</u>				<u>SWITCH</u>			
J40	1-770-053-12	TERMINAL BLOCK, S(LIGHT ANGLE)		S8001	1-570-245-11	SWITCH, MICRO	
<u>RESISTOR</u>				<div style="border: 1px solid black; width: 60px; height: 40px; margin: 0 auto; display: flex; align-items: center; justify-content: center; font-size: 24px; font-weight: bold;">HM</div>			
R41	1-216-864-11	SHORT CHIP					
R42	1-216-864-11	SHORT CHIP		<u>CAPACITOR</u>			
R43	1-216-821-11	METAL CHIP	1K 5% 1/10W	C7203	1-162-910-11	CERAMIC CHIP	5pF 0.25pF 50V
R44	1-216-821-11	METAL CHIP	1K 5% 1/10W	C7204	1-162-911-11	CERAMIC CHIP	6pF 0.50pF 50V
R45	1-216-864-11	SHORT CHIP		C7205	1-162-970-11	CERAMIC CHIP	0.01µF 10% 25V
R46	1-216-849-11	METAL CHIP	220K 5% 1/10W	C7206	1-162-970-11	CERAMIC CHIP	0.01µF 10% 25V
R47	1-216-849-11	METAL CHIP	220K 5% 1/10W	C7207	1-107-826-11	CERAMIC CHIP	0.1µF 10% 16V
R48	1-218-665-11	METAL CHIP	75 0.50% 1/10W	C7208	1-162-970-11	CERAMIC CHIP	0.01µF 10% 25V
R49	1-216-801-11	METAL CHIP	22 5% 1/10W	C7209	1-125-837-91	CERAMIC CHIP	1µF 10% 6.3V
R50	1-218-665-11	METAL CHIP	75 0.50% 1/10W	C7210	1-107-826-11	CERAMIC CHIP	0.1µF 10% 16V
R51	1-216-801-11	METAL CHIP	22 5% 1/10W	C7211	1-127-760-11	CERAMIC CHIP	4.7µF 10% 6.3V
R54	1-216-864-11	SHORT CHIP		C7212	1-125-837-91	CERAMIC CHIP	1µF 10% 6.3V
R55	1-216-864-11	SHORT CHIP		C7213	1-162-970-11	CERAMIC CHIP	0.01µF 10% 25V
R57	1-216-864-11	SHORT CHIP		C7215	1-164-156-11	CERAMIC CHIP	0.1µF 25V
R59	1-216-864-11	SHORT CHIP		C7216	1-162-970-11	CERAMIC CHIP	0.01µF 10% 25V
R60	1-216-864-11	SHORT CHIP		C7217	1-125-837-91	CERAMIC CHIP	1µF 10% 6.3V
R75	1-216-821-11	METAL CHIP	1K 5% 1/10W	C7218	1-164-156-11	CERAMIC CHIP	0.1µF 25V
R89	1-218-665-11	METAL CHIP	75 0.50% 1/10W	C7219	1-164-156-11	CERAMIC CHIP	0.1µF 25V
<u>VARISTOR</u>				C7220	1-164-156-11	CERAMIC CHIP	0.1µF 25V
VD40	1-803-974-21	VARISTOR, CHIP	(1608)	C7221	1-164-156-11	CERAMIC CHIP	0.1µF 25V
VD41	1-803-974-21	VARISTOR, CHIP	(1608)	C7222	1-164-156-11	CERAMIC CHIP	0.1µF 25V
VD42	1-803-974-21	VARISTOR, CHIP	(1608)	C7224	1-164-156-11	CERAMIC CHIP	0.1µF 25V
VD43	1-803-974-21	VARISTOR, CHIP	(1608)	C7225	1-127-692-11	CERAMIC CHIP	10µF 10% 16V
VD44	1-803-974-21	VARISTOR, CHIP	(1608)	C7226	1-164-156-11	CERAMIC CHIP	0.1µF 25V
				C7227	1-107-826-11	CERAMIC CHIP	0.1µF 10% 16V
				C7228	1-127-692-11	CERAMIC CHIP	10µF 10% 16V
				<u>CONNECTOR</u>			
				* CN7201	1-784-010-11	CONNECTOR, USB (B)	
				CN7204	1-817-653-11	MEMORY STICK CONNECTOR	
				* CN7205	1-564-508-11	PLUG, CONNECTOR	5P



REF. NO.	PART NO.	DESCRIPTION	VALUES	REF. NO.	PART NO.	DESCRIPTION	VALUES
<u>DIODE</u>				R7221	1-216-821-11	METAL CHIP	1K 5% 1/10W
D7201	8-719-800-76	DIODE	1SS226	R7222	1-216-811-11	METAL CHIP	150 5% 1/10W
D7202	8-719-083-58	DIODE	UDZSTE-173.9B	R7223	1-216-809-11	METAL CHIP	100 5% 1/10W
D7210	6-500-182-01	DIODE	L-1503CB/1ID-F01	R7224	1-216-809-11	METAL CHIP	100 5% 1/10W
D7212	8-719-083-58	DIODE	UDZSTE-173.9B	R7225	1-216-809-11	METAL CHIP	100 5% 1/10W
<u>FERRITE BEAD</u>				R7226	1-216-864-11	SHORT CHIP	
FB7201	1-414-921-11	FERRITE	0μH	R7227	1-216-864-11	SHORT CHIP	
FB7202	1-414-921-11	FERRITE	0μH	R7228	1-216-864-11	SHORT CHIP	
FB7203	1-414-921-11	FERRITE	0μH	R7229	1-216-821-11	METAL CHIP	1K 5% 1/10W
FB7204	1-414-921-11	FERRITE	0μH	R7231	1-216-825-11	METAL CHIP	2.2K 5% 1/10W
<u>IC</u>				R7232	1-216-805-11	METAL CHIP	47 5% 1/10W
IC7201	6-703-076-01	IC	XC6204B332MR	R7233	1-216-837-11	METAL CHIP	22K 5% 1/10W
IC7202	6-704-548-01	IC	90C36LC1B-LF	R7234	1-216-809-11	METAL CHIP	100 5% 1/10W
IC7203	6-704-067-01	IC	M24128-BWMN6T(A)	R7235	1-216-864-11	SHORT CHIP	
IC7204	6-704-532-01	IC	RPM7240-H5	R7236	1-216-809-11	METAL CHIP	100 5% 1/10W
IC7205	6-706-481-01	IC	TC7SET32FU(T5RSOJF)	<u>CRYSTAL</u>			
<u>COIL</u>				X7201	1-760-965-21	VIBRATOR, CRYSTAL	
L7201	1-414-394-11	INDUCTOR	2.2μH	H2			
<u>TRANSISTOR</u>				* A-1054-668-A	H2 BOARD, MOUNTED		
Q7201	8-729-424-02	TRANSISTOR	2SB709A-QRS-TX	<u>CAPACITOR</u>			
Q7202	8-729-422-27	TRANSISTOR	2SD601A-Q	C4501	1-164-156-11	CERAMIC CHIP	0.1μF 25V
<u>RESISTOR</u>				C4503	1-162-974-11	CERAMIC CHIP	0.01μF 50V
R7201	1-216-864-11	SHORT CHIP		C4505	1-162-974-11	CERAMIC CHIP	0.01μF 50V
R7202	1-414-228-11	FERRITE	0μH	C4506	1-162-974-11	CERAMIC CHIP	0.01μF 50V
R7203	1-216-837-11	METAL CHIP	22K 5% 1/10W	C4507	1-162-974-11	CERAMIC CHIP	0.01μF 50V
R7204	1-216-809-11	METAL CHIP	100 5% 1/10W	C4508	1-162-974-11	CERAMIC CHIP	0.01μF 50V
R7206	1-216-857-11	METAL CHIP	1M 5% 1/10W	<u>CONNECTOR</u>			
R7209	1-414-228-11	FERRITE	0μH	* CN4502	1-695-223-21	PIN, CONNECTOR (SMD) 10P	
R7210	1-216-803-11	METAL CHIP	33 5% 1/10W	<u>DIODE</u>			
R7211	1-216-821-11	METAL CHIP	1K 5% 1/10W	D4503	8-719-053-43	DIODE	SLR-325VCT31
R7212	1-216-803-11	METAL CHIP	33 5% 1/10W	D4504	8-719-064-11	DIODE	SPR-325MVW
R7214	1-216-823-11	METAL CHIP	1.5K 5% 1/10W	D4510	8-719-053-43	DIODE	SLR-325VCT31
R7215	1-414-228-11	FERRITE	0μH	<u>TRANSISTOR</u>			
R7216	1-216-821-11	METAL CHIP	1K 5% 1/10W	Q4503	8-729-422-33	TRANSISTOR	2SD601A-Q-TX
R7217	1-216-821-11	METAL CHIP	1K 5% 1/10W	Q4504	8-729-422-33	TRANSISTOR	2SD601A-Q-TX
R7218	1-216-829-11	METAL CHIP	4.7K 5% 1/10W	Q4508	1-801-806-11	TRANSISTOR	DTC144EKA
R7219	1-216-817-11	METAL CHIP	470 5% 1/10W	Q4509	1-801-806-11	TRANSISTOR	DTC144EKA
				Q4510	8-729-027-23	TRANSISTOR	DTA114EKA-T146
				Q4511	8-729-027-23	TRANSISTOR	DTA114EKA-T146

REF. NO.	PART NO.	DESCRIPTION	VALUES	REF. NO.	PART NO.	DESCRIPTION	VALUES
<u>ACCESSORIES AND PACKING</u>							
*	4-049-155-31	BAG, PROTECTION (KDF-42WE655 ONLY)		*	4-095-633-01	TRAY ** (KDF-50WE655 ONLY)	
*	4-091-526-21	BAG, PROTECTION (KDF-50WE655 ONLY)		*	4-103-297-01	TRAY ** (KDF-50WE655 ONLY)	
*	4-095-634-01	BOARD, BOTTOM ** (KDF-50WE655 ONLY)		*	1-417-507-11	POD-HOST CERT, D-CABLE READY	
*	4-098-862-01	BOARD, TOP ** (KDF-50WE655 ONLY)		2-059-370-12	MANUAL, INSTRUCTION		
*	4-095-598-02	CUSHION LOWER ** (KDF-42WE655 ONLY)		2-059-371-12	GUIDE, QUICK START		
*	4-095-636-02	CUSHION LOWER ** (KDF-50WE655 ONLY)		<u>REMOTE COMMANDER</u>			
*	4-103-294-01	CUSHION, LOWER ** (KDF-42WE655 ONLY)		1-478-918-11	REMOTE COMMANDER (RM-Y915)		
*	4-103-298-03	CUSHION, LOWER ** (KDF-50WE655 ONLY)		3-072-138-01	BATTERY COVER (FOR RM-Y915)		
*	4-095-597-02	CUSHION, UPPER ** (KDF-42WE655 ONLY)		** These items are manufactured at different facilities. Either part can be used as a replacement.			
*	4-095-635-02	CUSHION UPPER ** (KDF-50WE655 ONLY)					
*	4-103-295-01	CUSHION, UPPER ** (KDF-42WE655 ONLY)					
*	4-103-299-01	CUSHION, UPPER ** (KDF-50WE655 ONLY)					
*	2-059-625-01	INDIVIDUAL CARTON ** (KDF-42WE655 ONLY)					
*	2-109-278-01	INDIVIDUAL CARTON ** (KDF-42WE655 ONLY)					
*	2-059-626-01	INDIVIDUAL CARTON ** (KDF-50WE655 ONLY)					
*	2-109-279-01	INDIVIDUAL CARTON ** (KDF-50WE655 ONLY)					
*	4-041-423-01	SHEET, PROTECTION ** (KDF-42WE655 ONLY)					
*	4-041-423-11	SHEET, PROTECTION ** (KDF-42WE655 ONLY)					
*	4-042-463-01	SHEET, PROTECTION ** (KDF-50WE655 ONLY)					
*	4-042-463-21	SHEET, PROTECTION ** (KDF-50WE655 ONLY)					
*	4-095-595-01	TRAY ** (KDF-42WE655 ONLY)					
*	4-103-293-01	TRAY ** (KDF-42WE655 ONLY)					

- *In an effort to reduce the size of this pdf file the tiled schematics are not attached to this Service Manual. To receive a complete set of the tiled schematics for this manual please submit a request to the Service Promotion Department at Service_Promotion@am.sony.com*